

8568/MCCB-GS101B-110 Art. No. 240690



- Degree of protection: Flameproof 1- and 2-pole with thermal-magnetic branch circuit protection
- Rated operational current from 15 to 125 A
- Maximum rated operational voltage - IEC / ATEX up to 415 V AC and NEC / CEC up to 480 V AC
- 10 kA rated switching capacity IEC/EN 60947 / UL 489
- Isolating function to IEC/EN 60947-2
- Permanently set thermal and magnetic trips
- Design to UL 489 / CSA-C22.2 No. 5 & IEC 60947-2

MY R. STAHL 8568A



Series 8568 molded-case circuit breakers meet all technical requirements relating to safe and selective tripping. When short-circuits occur, they restrict the load on the installed circuits due to their excellent current limiting and related high breaking capacity and provide a high level of discrimination for line-side fuses.

Technical Data

Explosion Protection

| | |
|--------------------------------|---|
| Application range (zones) | 1 2 21 22 |
| Application range (Zone) note | Can be used in Zone 21 / 22 with protection by installation in enclosure Ex tb / tc |
| IECEX gas certificate | FMG16.0005X |
| IECEX gas explosion protection | Ex db eb IIC T4 / T5 Gb |
| ATEX gas certificate | FM 16 ATEX 0005X |
| ATEX gas explosion protection | Ⓔ II 2 G Ex db eb IIC T4 / T5 Gb |
| FMus certificate | FM19US0099U |
| cFM certificate | FM19CA0049U |
| Marking FMus | Class I, Div. 2, Groups A,B,C,D; T6 ... T4, Class I, Zone 1, AEx db eb IIC T6 ... T4 |
| Marking cFM | Class I, Zone 1, Ex db eb IIC T6 ... T4 Class I, Div. 2, Groups A,B,C,D; T6 ... T4 |
| Certificates | ATEX (FM), Canada (FM), IECEX (FM), USA (FM) |

Electrical Data

| | |
|------------------------------------|---------|
| Rated operational voltage AC | 240 V |
| Rated operational voltage AC (NEC) | 347 V |
| Rated operational voltage DC | 125 V |
| Rated operational voltage DC (NEC) | 125 V |
| Rated operational current | 110 A |
| Rated switching capacity | 10 kA |
| Type of voltage | AC/DC |
| Auxiliary contacts | without |
| Auxiliary contacts 2 | without |
| N-pole present | No |
| No. of poles | 1 |

8568/MCCB-GS101B-110 Art. No. 240690

Ambient Conditions

| | |
|---------------------|---|
| Ambient temperature | -30 °C ... +40 °C (T5) -30°C ... +60°C (T4) |
| Ambient temperature | -22 °F ... +104 °F (T5) -22 °F ... +140 °F (T4) |
| Note | Ambient temperature range for the location of the equipment installation. For installation up to +60 °C (+140 °F), consult the factory. |

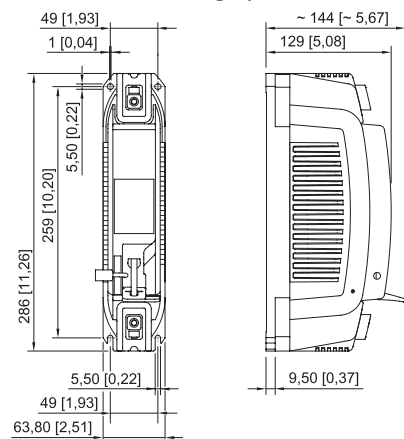
Mechanical Data

| | |
|------------------------------|---------------------------|
| Degree of protection (IP) | IP20 |
| Enclosure material | Epoxy resin |
| Connection cross-section AWG | AWG2 ... AWG4/0 |
| Connection cross-section | 35 ... 95 mm ² |
| Width | 63.8 mm |
| Width in inches | 2.51 in |
| Length | 286 mm |
| Length, inches | 11.26 in |
| Depth of cut-out | 144 mm |
| Mounting depth, inches | 5.67 in |
| Weight | 2.35 kg |
| Weight | 5.18 lb |

Mounting / Installation

| | |
|--------------------------|-------------------|
| Tightening torque | 15 – 20 Nm |
| Tightening torque lbf in | 132 to 177 lbf in |

Dimensional Drawings (All Dimensions in mm [inches]) – Subject to Alterations



8568/MCCB, 1-pole

We reserve the right to make alterations to the technical data, dimensions, weights, designs and products available without notice. The illustrations cannot be considered binding.