

Control Devices

LED indicator lamp For front installation

Ex i

8010/6-21-2 Art. No. 240901



- Economical, advantageous LED technology: High luminance, low heat build-up, an extremely long service life and maintenance-free operation
- Easily visible light signals thanks to diffusers lenses in red, yellow, green, blue and white
- For use in temperatures as low as -60 °C

MY R. STAHL 8010C

R. STAHL Series 8010 indicator lamps use a white LED with a diffuser lens, the light on which can be coloured red, yellow, green or blue using calottes. This means that important switching device signals can be easily identified even under poor lighting conditions. The indicator lamps are robust and suitable for use at temperatures as low as -60 °C.

Technical Data

Explosion Protection

Scope of validity	European Union (ATEX) IECEX
Application range (zones)	1 2
IECEX gas certificate	IECEX PTB 17.0022U
IECEX gas explosion protection	Ex db ia ib IIC Gb
IECEX firedamp certificate	IECEX PTB 17.0022U
IECEX firedamp protection	Ex db ia/ib I Mb
ATEX gas certificate	PTB 17 ATEX 1005 U
ATEX gas explosion protection	⊕ II 2 G Ex db ia ib IIC Gb
ATEX firedamp certificate	PTB 17 ATEX 1005 U
ATEX firedamp protection	⊕ I M2 Ex db ia/ib I Mb
Certificates	ATEX (PTB), Brazil (ULB), China (CQST), IECEX (PTB), India (PESO), Korea (KTL)
Notes	Product label may vary. Series devices have certification according to ATEX and IECEX.

Safety Data

Max. capacitance C_i	Negligible
Max. inductance L_i	Negligible
Max. voltage U_i	30 V
Max. current I_i	150 mA
Max. power P_i	1 W

Electrical Data

Rated operational voltage AC	10.8 – 24 V
Rated operational voltage DC	10.8 ... 24 V
Voltage tolerance	-10 to +10%
Frequency	0 to 60 Hz
Rated operational current	max. 20 mA
Max. rated operational power	1 W

Control Devices

LED indicator lamp For front installation

Ex i

8010/6-21-2 Art. No. 240901



Electrical Data

Electrical service life 10⁵ lighting hours

Lighting Data

Lamp White LED

Ambient Conditions

Ambient temperature -60 °C ... +80 °C

Ambient temperature -76 °F ... +176 °F

Operating temperature -60 °C ... +100 °C

Operating temperature -76 °F ... +212 °F

Mechanical Data

Degree of protection (IP) (IEC 60529) IP20

Enclosure material Polyamide

Silicone-free Yes

Solid connection cross section 0.32 – 2.5 mm²

Connection cross-section AWG single stranded 22 AWG to 14 AWG

Finely stranded connection cross section 0.32 – 2.5 mm²

Finely stranded connection cross-section AWG 22 AWG to 14 AWG

Connection cross-section, finely stranded with core end sleeve 0.32 – 2.5 mm²

Connection cross-section, finely stranded with core end sleeve AWG AWG22 - AWG14

Packaging unit 1

Weight 30 g

Weight 0.066 lb

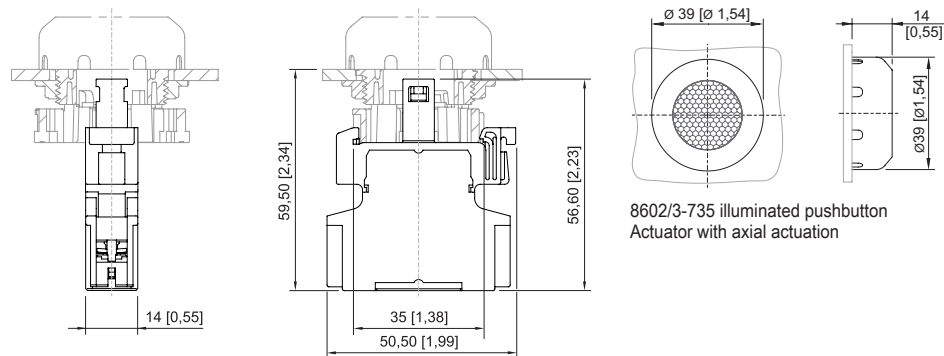
Mounting / Installation

Tightening torque 1.2 Nm

Tightening torque lbf in 10.62 lbf in

Connection Screw terminal

Dimensional Drawings (All Dimensions in mm [inches]) – Subject to Alterations



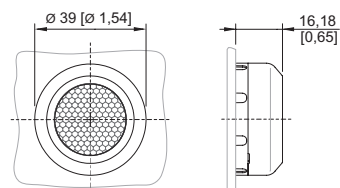
LED indicating lamp

Control Devices

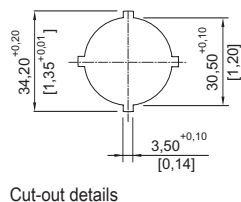
LED indicator lamp For front installation

Ex i

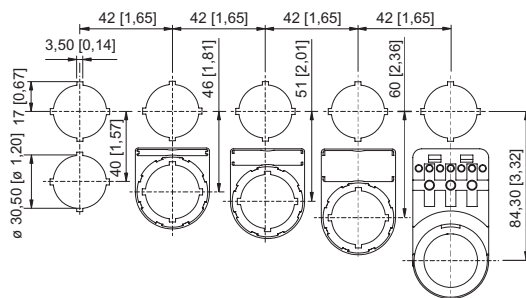
8010/6-21-2 Art. No. 240901



8602/3-054 indicator lamp bezel
Actuator without actuation



Cut-out details



Cut-out with/without additional designation plate

Accessories

Indicator lamp bezel BG054



Diameter 39 mm
All colours
Silicone-free: Yes

Art. No.

223122

Diameter 39 mm
All colours
Silicone-free: No

223123

Illuminated pushbutton (spring return) BG735



Ø 39 mm
Black
All colours
Silicone-free: Yes

Art. No.

244654

Ø 39 mm
Black
All colours
Silicone-free: No

244655

Spare Parts

Adaptor for front installation



8602/3 Front installation for indicator lamp series 8010/6 and contact element series 8082/3

Art. No.

227038

Holder for front installation



8602/3 holder for cable duct

Art. No.

248673

We reserve the right to make alterations to the technical data, dimensions, weights, designs and products available without notice. The illustrations cannot be considered binding.