



- Complies with: ICAO Annex 14 Vol. 1 Ch. 6, Low intensity type A or B
- Integrated terminal box with drain plug/breather
- Maintenance free
- Rugged construction
- Encapsulated electronics. No risk of water intrusion to LED's and electronics
- RED+IR Versions are Night Vision Goggle compatible.
- Instant light
- Resistant to vibrations

WebCode **T2460A**



Tranberg luminaires are all designed for use in rough environments. It is the policy of Tranberg to provide products and services that meet the highest standards of quality in the industry and the performance needs and expectations of our customers. The design of Tranberg luminaires is based on many years of experience and extensive research in the field of professional Marine lighting. Carefully selected materials are used to ensure maximum performance, low maintenance and a long trouble free life. Applications:

- Obstruction light
- General marking / warning light
- Zone 1, Zone 2 and safe area

Technical Data

Explosion Protection	
Scope of validity	European Union (ATEX) IECEX
Application range (zones)	1 2
IECEX gas certificate	IECEX Pre 14.0009
IECEX gas explosion protection	Ex e mb op is IIC T5 Gb
ATEX gas certificate	PRESAFE 14 ATEX 4571
ATEX gas explosion protection	Ⓔ II 2 G Ex e mb op is IIC T5 Gb
Electrical Data	
Rated operational voltage DC	24 V
Power	10 W
Lighting Data	
Lamp	Red LED + IR
Effective luminous intensity	10 cd
Ambient Conditions	
Ambient temperature	-55 °C ... +55 °C
Operating temperature	-40 °C ... +55 °C
Mechanical Data	
Degree of protection (IP)	IP66
Enclosure material	Brass, Hot-forged
Max. solid connection terminals	4 mm ²
Max. finely stranded connection terminals	2.5 mm ²

TEF2460168 Art. No. 241032

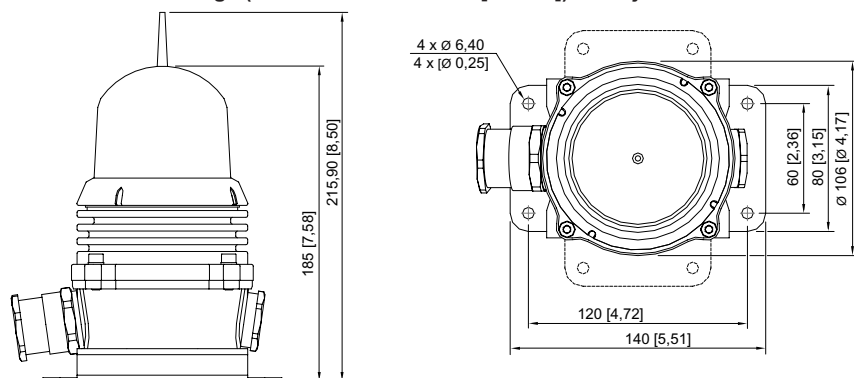
Mechanical Data

Type of connection cable	Finely stranded Solid
--------------------------	--------------------------

Components

Drilled holes	2 x M25
Cable glands and entries	Can be ordered as accessories
Stopping plugs	Can be ordered as accessories

Dimensional Drawings (All Dimensions in mm [inches]) – Subject to Alterations



Accessories

Cable gland		Art. No.
M25 Ø 11 ... 15 / 15 ... 20 mm TEF6222502		241042
Dome with gasket		Art. No.
Dome with gasket		241040
Stopping plug		Art. No.
M25		241043
TEF7302101 Breather M25-9 mm, brass		169899
Terminal insert		Art. No.
Terminal insert		241041

We reserve the right to make alterations to the technical data, dimensions, weights, designs and products available without notice. The illustrations cannot be considered binding.