

8573/13-300 Art. No. 241380



- Compact dimensions
- Wide temperature range for use
- High mechanical impact and shock resistance
- Perfect protection against the ingress of liquids and dust
- 3D data available to download from the website

WebCode **8573B**



The sockets of the new R. STAHL Series 8573/13 are for 2- or 3-pole applications up to 16 A. The compact sockets for extra-low voltage up to 50 V are made from robust and chemical-resistant plastics. Self-cleaning lamellar contacts provide optimum contact. The integrated rotary switch mechanism and integrated locking device reliably prevent disconnection under loads. The new compact socket from Series 8573/13 replaces Series 8575 sockets, is 100% compatible with this series and can be used with Series 8575 plugs.

Technical Data

Explosion Protection

Scope of validity	European Union (ATEX) IECEX China (CQST)
Application range (zones)	1 2 21 22
IECEX gas certificate	IECEX PTB 16.0029
IECEX gas explosion protection	Ex db eb IIC T6 Gb
IECEX dust certificate	IECEX PTB 16.0029
IECEX dust explosion protection	Ex tb IIIC T70 °C Db
ATEX gas certificate	PTB 16 ATEX 1017
ATEX gas explosion protection	⊕ II 2 G Ex db eb IIC T6 Gb
ATEX dust certificate	PTB 16 ATEX 1017
ATEX dust explosion protection	⊕ II 2 D Ex tb IIIC T70 °C Db
Certificates	ATEX (PTB), China (CQST), EAC (CCVE), IECEX (PTB)
Explosion protection note	Product label may vary. Series devices have certification according to ATEX and IECEX.

Electrical Data

Rated operational voltage AC	20 to 25 V AC
Rated operational current	max. 16 A
Rated operational current	10 A / 16 A
Type of voltage	Extra-low voltage
Frequency range	50 / 60 Hz

Ambient Conditions

Ambient temperature	-50 °C ... +40 °C (16 A) -50 °C ... +60 °C (10 A)
---------------------	--

8573/13-300 Art. No. 241380

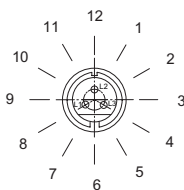
Mechanical Data

Degree of protection (IP)	IP66
Degree of protection note	according to IEC/EN 60529
Enclosure material	Polyamide, Glass fibre reinforced
Silicone-free	No
Silicone-free note	Optional: Silicone-free variant available on request (ambient temperature -40 °C to +60 °C)
Solid connection terminals	1 x 0.75 mm ² to 2 x 4 mm ²
Max. USA solid connection terminals	10 AWG
Finely stranded connection terminals	1 x 0.75 mm ² to 2 x 4 mm ²
Min. USA connection terminals	18 AWG
Type of connection cable	Finely stranded Solid
Width	106 mm
Height	138 mm
Length	180 mm
Colour code	Violet
Coding (clock hour position)	0
Series	SolConeX
Detailed number of poles	3 P
Weight	0.3 kg
Weight	0.66 lb

Components

Cable entry note	Entry 1: Lower left Entry 2: Lower right
Sopping plug note	when used in an application range of < -40 °C, the seal is only intended for a one-time installation replace the seal before mounting it again
Entry 1 model	8161/7-M25-1707
Entry 1	M25
Entry 1 terminal area	7 – 17 mm
Metal entry possible 1	No
Entry 2 model	8290/3-M25
Entry 2	M25
Metal entry possible 2	No

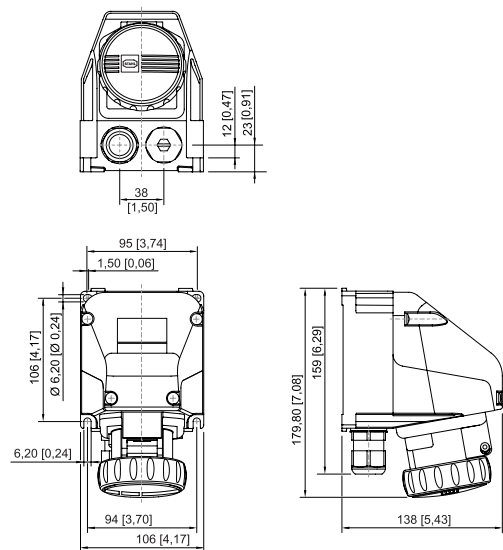
Technical Drawings – Subject to Alterations



Clock hour position
Example: 6h position

8573/13-300 Art. No. 241380

Dimensional Drawings (All Dimensions in mm [inches]) – Subject to Alterations

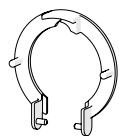


Wall-mounting socket, compact, extra-low voltage

Accessories

Dust cover for wall mounting sockets 16 A Series 8570

Art. No.



retrofitable dust protection for 2-/3-pole sockets

253118

We reserve the right to make alterations to the technical data, dimensions, weights, designs and products available without notice. The illustrations cannot be considered binding.