

# Installation equipment

## 16 A compact wall-mounting socket



8572/13-306 Art. No. 242334



- Small dimensions
- Large temperature range of use
- High mechanical impact and shock resistance
- Perfect protection against penetration of liquids and dusts
- 3D data for download on the website

MY R. STAHL 8572A



The sockets in the new R. STAHL Series 8572/13 are 16 A compact sockets for voltages up to 277 V. Self-cleaning lamellar contacts provide optimum contact. Compact dimensions and a deep-drawn enclosure are required for fast electrical installation. The integrated mechanical locking device prevents the plugs from disconnecting under load.

### Technical Data

#### Explosion Protection

|                                 |  |
|---------------------------------|--|
| Area of application             | European Union (ATEX)<br>IECEX<br>China (CQST)                           |
| Application range (zones)       | 1, 2, 21, 22   |
| IECEX gas certificate           | IECEX PTB 16.0027  |
| IECEX gas explosion protection  | Ex db eb IIC T6 Gb   |
| IECEX dust certificate          | IECEX PTB 16.0027  |
| IECEX dust explosion protection | Ex tb IIIC T75 °C Db   |
| ATEX gas explosion protection   | Ⓔ II 2 G Ex db eb IIC T6 Gb  |
| ATEX dust explosion protection  | Ⓔ II 2 D Ex tb IIIC T75 °C Db  |
| Certificates                    | ATEX (PTB), China (CQST), IECEX (PTB)                                    |
| Declaration of conformity       | ATEX (EUK), China (CCC)  |
| Explosion protection note       | Product label may vary. Series devices are labelled with ATEX and IECEX. |

#### Electrical Data

|                              |                                      |
|------------------------------|--------------------------------------|
| Type of voltage              | Low voltage                          |
| AC rated operational voltage | 200 ... 250 V AC                     |
| Rated operational current    | max. 16 A                            |
| Rated operational current    | 16 A                                 |
| Electrical service life      | > 5x10 <sup>3</sup> switching cycles |
| Mechanical service life      | > 5x10 <sup>3</sup> switching cycles |
| Frequency range              | 50 / 60 Hz                           |

#### Device Specific Data

|   |         |
|---|---------|
| Back-up fuse with thermal protection    | 35 A gG |
| Back-up fuse without thermal protection | 16 A gG |

#### Ambient Conditions

|                     |                   |
|---------------------|-------------------|
| Ambient temperature | -50 °C to +65 °C  |
| Ambient temperature | -58 °F to +149 °F |

# Installation equipment

## 16 A compact wall-mounting socket



8572/13-306 Art. No. 242334

### Ambient Conditions

|                          |  |
|--------------------------|--|
| Ambient temperature note | For further information, see the operating instructions. |
|--------------------------|--|

### Mechanical Data

|  |   |
|--|---|
| Degree of protection IP (IEC 60529)          | IP66  |
| IP degree of protection (IEC 60079)          | IP64  |
| Enclosure material                           | Polyamide, Glass fibre reinforced   |
| Silicone-free                                | No  |
| Silicone-free note                           | Optional: Silicone-free variant available on request (ambient temperature -40 °C to +65 °C) |
| Solid connection cross-section               | 1 x 0.75 mm <sup>2</sup> ... 2 x 4 mm <sup>2</sup>  |
| Connection cross-section AWG single stranded | 1 x AWG 18 ... 2 x AWG 12   |
| Finely stranded connection cross-section     | 1 x 0.75 mm <sup>2</sup> ... 2 x 4 mm <sup>2</sup>  |
| Finely stranded connection cross-section AWG | 1 x AWG 18 ... 2 x AWG 12   |
| Width  | 106 mm  |
| Width, inches                                | 4.17 in   |
| Height                                       | 138 mm  |
| Height in inches                             | 5.43 in   |
| Length                                       | 180 mm  |
| Length in inches                             | 7.08 in   |
| Impact strength (IEC 60079)                  | 7 J   |
| Colour code                                  | Blue  |
| Coding (clock hour position)                 | 6   |
| Series                                       | SolConeX  |
| Detailed number of poles                     | 2 P + PE  |
| Weight                                       | 380 g   |
| Weight                                       | 0.84 lb   |

### Mounting / Installation

|            |                |
|------------|----------------|
| Connection | Screw terminal |
|------------|----------------|

### Components

|                              |   |
|------------------------------|---|
| Cable entry note             | Entry 1: Bottom left<br>Entry 2: Bottom right |
| Entry 1 model                | 8161/7-M25-1707-LT                            |
| Entry 1 type                 | Polyamide cable gland                         |
| Entry 1                      | M25 x 1.5                                     |
| Entry 1 clamping range       | 7 – 17 mm                                     |
| Entry 1 clamping range, inch | 0.28 – 0.67 in                                |
| Metal entry possible 1       | No  |
| Entry 2 model                | 8290/3-M25                                    |
| Entry 2 type                 | Polyamide stopping plug                       |
| Entry 2                      | M25 x 1.5                                     |
| Metal entry possible 2       | No  |

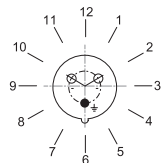
# Installation equipment

## 16 A compact wall-mounting socket



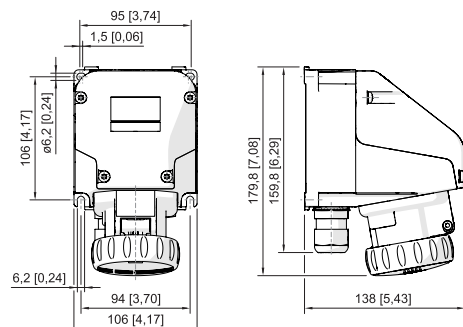
8572/13-306 Art. No. 242334

### Technical Drawings – Subject to Alterations



Position of clock hour position  
Example: 6 h position

### Dimensional Drawings (All Dimensions in mm [inches]) – Subject to Alterations

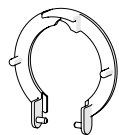


3-pole compact wall-mounting socket

## Accessories

### Dust cover for sockets, compact, series 8572/13

Art. No.



Retrofittable dust protection for 3-pole sockets

257438

### Plug

Art. No.

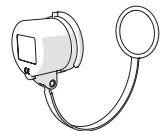


8570/12-306-S-XX-X-XX-XXX 3-pole plug, 200 to 250 V AC, 50 / 60 Hz, 16 A

272898

### Protective cap for Series 8570 plug

Art. No.



3-pole

150496

We reserve the right to make alterations to the technical data, dimensions, weights, designs and products available without notice. The illustrations cannot be considered binding.