

# Control Devices

## Control device system ConSig 8040 series



ConSig

8040/1278X-01L12SA05-01L09SA05 Art. No. 244093



- Flexible: Modular structure and 3 sizes enable customer-specific versions
- Lightweight enclosure made from glass fibre reinforced polyester resin (GRP), suitable for shipping industry and offshore

MY R. STAHL 8040B



With the R. STAHL Series 8040 control device system, you can get a clear overview of the control devices. The 3 combinable design sizes and the modular structure offer flexibility. You can choose from one standard version and customised variants.

### Technical Data

| Explosion Protection                |  |
|-------------------------------------|--|
| Scope of validity                   | IECEX<br>European Union (ATEX)   |
| Application range (zones)           | 1<br>2<br>21<br>22   |
| IECEX gas certificate               | IECEX PTB 06.0025  |
| IECEX gas explosion protection      | Ex db eb IIC T6 Gb   |
| IECEX dust certificate              | IECEX PTB 06.0025  |
| IECEX dust explosion protection     | Ex tb IIIC T80 °C Db   |
| ATEX gas certificate                | PTB 01 ATEX 1105   |
| ATEX gas explosion protection       | ⊕ II 2 G Ex db eb IIC T6 Gb  |
| ATEX dust certificate               | PTB 01 ATEX 1105   |
| ATEX dust explosion protection      | ⊕ II 2 D Ex tb IIIC T80 °C Db  |
| Certificates                        | ATEX (PTB), Canada (UL), China (NEPSI), IECEX (PTB), USA (UL)                          |
| Declaration of Conformity           | ATEX (EUK), China (CCC)  |
| Explosion protection note           | Product label may vary. Series devices have certification according to ATEX and IECEX. |
| Electrical Data                     |  |
| Rated operational voltage AC        | 550 V  |
| Rated operational current           | 10 A (T6)  |
| Ambient Conditions                  |  |
| Ambient temperature                 | -60 °C ... +40 °C (T6)   |
| Ambient temperature                 | -76 °F ... +104 °F (T6)  |
| Mechanical Data                     |  |
| Degree of protection (IP)           | IP66   |
| Degree of protection IP (IEC 60529) | IP66   |
| Enclosure material                  | Polyester resin, Glass fibre reinforced  |
| Enclosure colour                    | Dark grey  |

8040/1278X-01L12SA05-01L09SA05 Art. No. 244093

**Mechanical Data**

|  |  |
|--|--|
| Silicone-free                                | No   |
| AWG clamping range                           | 14 AWG   |
| Connection cross-section max.                | 2.5 mm <sup>2</sup>                            |
| Solid connection cross section               | 0.32 – 2.5 mm <sup>2</sup>                     |
| Connection cross-section AWG single stranded | 22 AWG to 14 AWG                               |
| Finely stranded connection cross section     | 0.32 – 2.5 mm <sup>2</sup>                     |
| Finely stranded connection cross-section AWG | 22 AWG - 14 AWG                                |
| Cover fixing type                            | With captive screws, M4 stainless steel screws |
| Width  | 80 mm  |
| Width, inches                                | 3.15 in  |
| Height                                       | 139 mm   |
| Height, inches                               | 5.47 in  |
| Depth  | 72 mm  |
| Depth, inches                                | 2.76 in  |
| Seal   | Silicone, foamed                               |
| Weight                                       | 351 g  |
| Weight                                       | 0.77 lb  |

**Mounting / Installation**

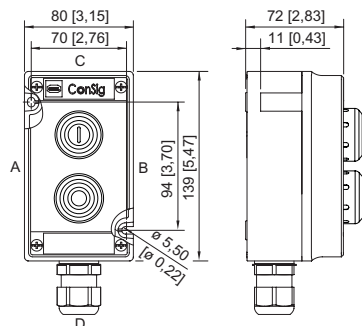
|   |             |
|---|-------------|
| Tightening torque of cover screw 1        | 1.4 Nm      |
| Tightening torque of cover screw 1 lbf in | 12.4 lbf in |

**Components**

|                              |   |
|------------------------------|---|
| Installation position top    | Pushbutton, Green – "START", With silicone seal |
| Built-in element top         | Contact element NC/NO                           |
| Installation position bottom | Pushbutton, Red - "STOP", With silicone seal    |
| Built-in element bottom      | Contact element NC/NO                           |
| Flange and plates            | Metal plate, bottom                             |
| Entry type                   | Standard 8161, moulded material                 |
| Entry 1                      | 1 x 8161/7-M20-1304-LT                          |
| Entry 1 type                 | Polyamide cable gland, black                    |
| Entry 1                      | M20 x 1.5                                       |
| Entry 1 terminal area        | 4 – 13 mm                                       |
| Entry 1 clamping range, inch | 0.16 – 0.51 in                                  |
| Metal entry possible 1       | Yes   |

8040/1278X-01L12SA05-01L09SA05 Art. No. 244093

### Dimensional Drawings (All Dimensions in mm [inches]) – Subject to Alterations



ConSig 8040/12

### Accessories

#### Pushbutton BG001



Ø 39 mm  
Black  
Designation plate: Black, blank disc without text  
Silicone-free: No

**Art. No.**

223692

### Spare Parts

#### Label holder



Size 1, without insert disc, 1-line label  
for actuators Ø 39

**Art. No.**

223566



Size 2, without insert disc, 1- or 2-line label  
for actuators Ø 39

223567



Size 3, without insert disc, 1-, 2- or 3-line label  
for actuators Ø 39

223568

#### Locking devices



8602C3-753 for not actuated pushbutton  
BG001

**Art. No.**

244870



8602C3-754 for actuated pushbutton  
BG001

244871



8602C3-755 for not actuated pushbutton  
BG001

244872

## Control Devices

Control device system ConSig 8040 series



8040/1278X-01L12SA05-01L09SA05 Art. No. 244093

### Special key

### Art. No.



for tightening plastic locking nut

169101

We reserve the right to make alterations to the technical data, dimensions, weights, designs and products available without notice. The illustrations cannot be considered binding.