

## Contactors

80 A

8550/1-CT-GLS3-80-25-U3S-22 Art. No. 307561



- Safe control of motors and other loads in motor starters and power distribution boards
- Reliable protection of motors in connection with the overload relay
- Can be used globally thanks to international approvals
- Extensive flexibility thanks to wide-range coil voltages
- Large clamping range for main terminals

### MY R. STAHL 8550C



The contactor for R. STAHL's 8550 series is a motor load contactor for use in motor starters up to 37 kW / 50 hp at 400 or 480 V and other performance-oriented applications. It switches AC-3, -4, -5 and -6 loads just as reliably as AC-1 operating currents. Values are also available for DC-1, -3 and -5. With just three coil voltage ranges, control voltages of 20 to 280 V are covered. Up to four auxiliary contacts are optionally available. Supplemented by the moulded case circuit breaker and overload relay also available in this series, motor starters up to 37 kW / 50 hp at 400 to 480 V are available (other powers available on request).

## Technical Data

### Explosion Protection

|                                |   |
|--------------------------------|---|
| Application range (zones)      | 1<br>2  |
| Application range (Zone) note  | For use in Zone 21/22 when protected by Ex tb/tc enclosure            |
| IECEX gas certificate          | IECEX FMG 22.0005U  |
| IECEX gas explosion protection | Ex db eb IIC Gb   |
| ATEX gas certificate           | FM 22 ATEX 0017 U   |
| ATEX gas explosion protection  | Ex II 2 G Ex db eb IIC Gb   |
| FMus certificate               | FM22US0011U   |
| cFM certificate                | FM22CA0006U   |
| Marking FMus                   | Class I, Div. 2, Groups A,B,C,D;<br>Class I, Zone 1, AEx db eb IIC Gb |
| Marking cFM                    | Class I, Zone 1, Ex db eb IIC Gb<br>Class I, Div. 2, Groups A,B,C,D;  |
| Certificates                   | ATEX (FM), Canada (FM), IECEX (FM), USA (FM)                          |

### Electrical Data

|                           |                    |
|---------------------------|--------------------|
| Rated operational voltage | max. 690 V         |
| Rated operational current | 80 A               |
| Rated actuating voltage   | 175 to 280 V AC/DC |
| Mechanical service life   | 10,000,000         |
| Idle operating frequency  | 5000 1/h           |
| Operating frequency AC-3  | 500 1/h            |
| Main contacts             | 3-pole (3 NO)      |
| Auxiliary contacts        | 4 (2 NO + 2 NC)    |

### Ambient Conditions

|                     |                   |
|---------------------|-------------------|
| Ambient temperature | -25 °C ... +60 °C |
|---------------------|-------------------|

## Contactors

80 A

8550/1-CT-GLS3-80-25-U3S-22 Art. No. 307561

### Ambient Conditions

|                     |                    |
|---------------------|--------------------|
| Ambient temperature | -13 °F ... +140 °F |
|---------------------|--------------------|

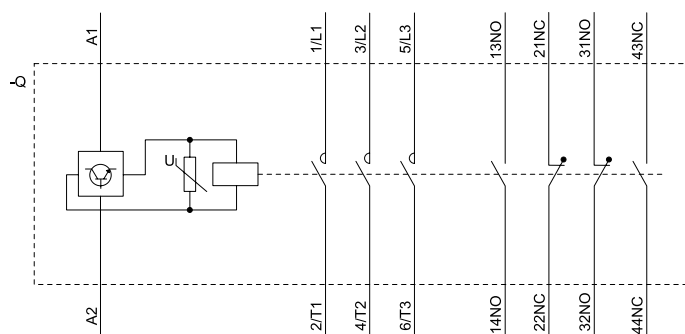
### Mechanical Data

|  |                              |
|--|------------------------------|
| Degree of protection (IP)                      | IP20                         |
| Enclosure material                             | Thermoplast                  |
| Connection cross-section                       | 10 – 25 mm <sup>2</sup>      |
| Connection cross-section AWG                   | 8 ... 4 AWG                  |
| Auxiliary contact connection cross section     | 0.75 ... 2.5 mm <sup>2</sup> |
| Auxiliary contact connection cross section AWG | 18 ... 14 AWG                |
| Width  | 150 mm                       |
| Width in inches                                | 5.91 in                      |
| Height   | 196 mm                       |
| Height, inches                                 | 7.72 in                      |
| Depth  | 336.6 mm                     |
| Depth, inches                                  | 13.25 in                     |
| Weight   | 4.2 kg                       |
| Weight   | 9.26 lb                      |

### Mounting / Installation

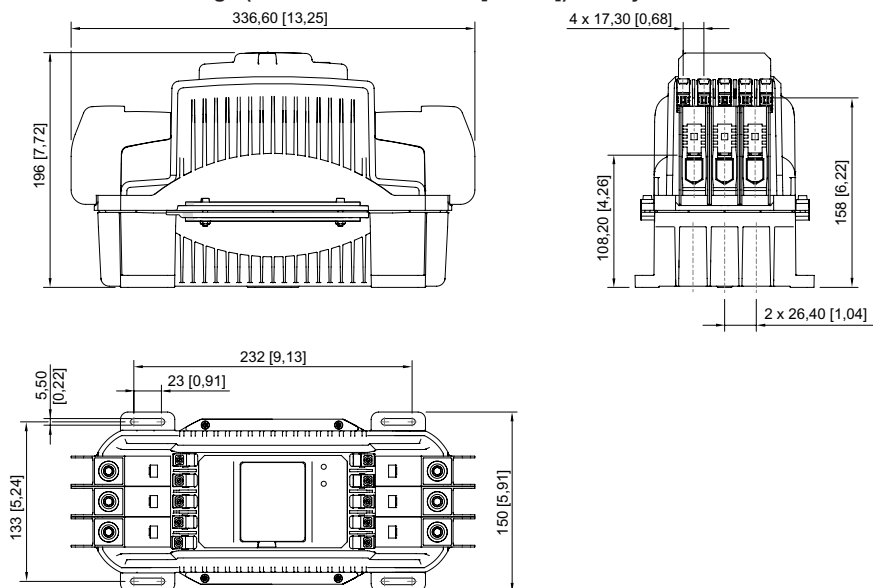
|  |                      |
|--|----------------------|
| Tightening torque                          | 5 – 5.5 Nm           |
| Tightening torque lbf in                   | 44.2 ... 48.6 lbf-in |
| Tightening torque auxiliary contact        | 0.4 – 0.6 Nm         |
| Tightening torque auxiliary contact lbf in | 3.54 ... 5.31 lbf-in |

### Technical Drawings – Subject to Alterations



Circuit diagram of the device

#### Dimensional Drawings (All Dimensions in mm [inches]) – Subject to Alterations



We reserve the right to make alterations to the technical data, dimensions, weights, designs and products available without notice. The illustrations cannot be considered binding.