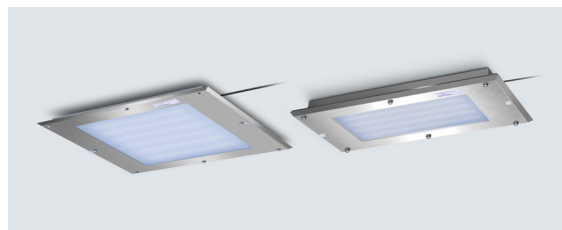


6413/5121-4200-0123-0111 Art. No. 309592



- Premium 304 stainless steel with brushed finish for durability
- Higher efficacy, at around 120 lm/W, means more light with less power
- Temperature range -20 °C to + 45 °C
- Degree of protection IP 66
- Dual bottom and top openings provide easy access to input field terminals
- Adjustable ceiling brackets for precise mounting based on the ceiling depth
- IECEX certified
- Cleanroom compliance luminaire

MY R. STAHL 6413B

The 6413 series is an ideal lighting solution tailored for cleanroom applications. Highlighting its versatility, this innovative series is equipped with adjustable built-in C brackets for recessed mounting providing unmatched flexibility and allowing for seamless installation and operation from both the top and bottom of the ceiling. The luminaire's user-friendly design, coupled with its lightweight construction, not only optimizes ceiling grid load capacity but also guarantees efficiency without any compromise.

Technical Data

Explosion Protection	
Application range (zones)	2, 21, 22
IECEX gas certificate	IECEX IBE 23.0033X
IECEX gas explosion protection	Ex nR IIC T4 Gc
IECEX dust certificate	IECEX IBE 23.0033X
IECEX dust explosion protection	Ex tb IIIC T100 °C Db
Certificates and approvals	IECEX
Certificates	IECEX (IBE)
Electrical Data	
Rated operational voltage AC	220 ... 240 V
Rated operational voltage DC	max. 220 ... 240 V
Rated operational current	0.18 A (T4)
Rated operational current	0.18 A
Frequency range	50 – 60 Hz
Power factor	≥ 0.90
Control gear service life	C10 ≥ 50 h, Ta ≤ 45 °C
LED service life	L90B50 ≥ 100 h
Lighting Data	
Lamp wattage	40 W
Lamp	LED
Light colour	Cool white
Light distribution	120°
Luminaire efficacy	120 lm/W
Luminous flux	4462 lm
Colour rendering	≥ 80
Colour temperature	5700 K

6413/5121-4200-0123-0111 Art. No. 309592

Ambient Conditions

Ambient temperature	-20 °C ... +45 °C
Storage temperature	-20 °C ... +60 °C

Mechanical Data

IP degree of protection (IEC 60598)	IP66
Class	I
Enclosure material	Stainless steel 1.4301, Brushed Uncoated
Sealing material	Silicone
Number of terminals	3
Pane material	Reinforced glass
Pane material 2	matted
Max. solid connection terminals	4 mm ²
Max. finely stranded connection terminals	4 mm ²
Lighting lock	Screw-on cover
Type of connection cable	Finely stranded with clip Solid
Size	Size 2
Width	623.3 mm
Height	121 mm
Length	323.3 mm
Impact strength (IEC 62262)	IK10
Weight	7.2 kg
Weight	15.87 lb

Mounting / Installation

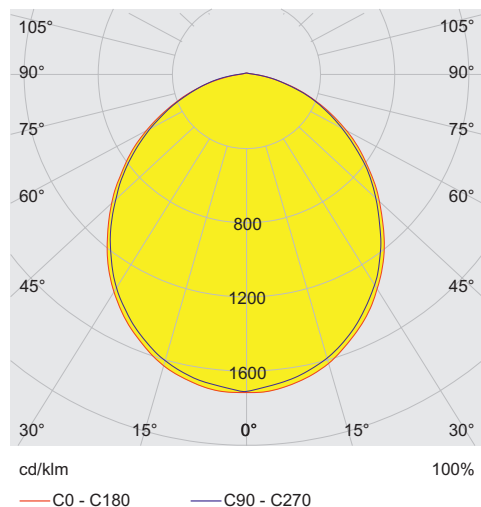
Mounting type	flush mounting
---------------	----------------

Components

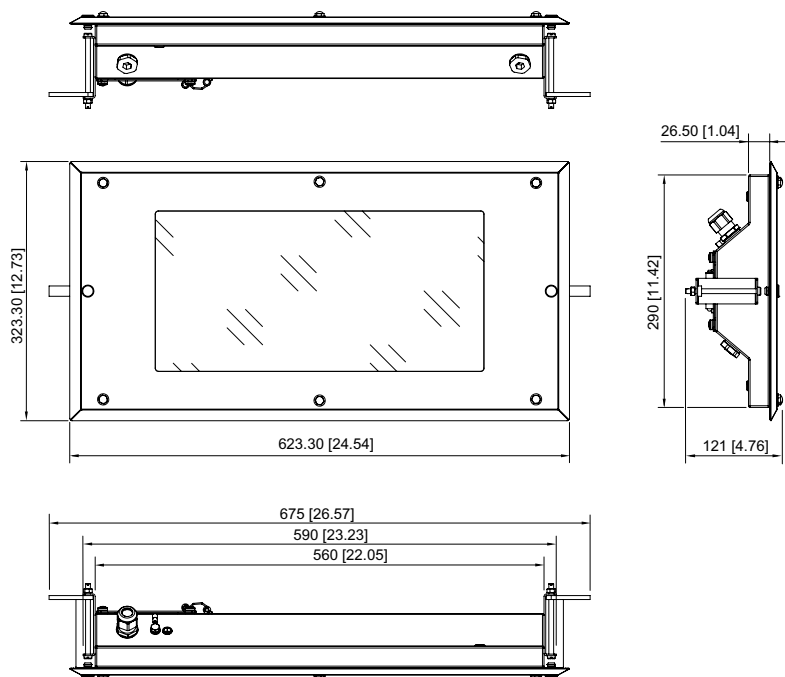
Ballast	Osram
Drilled holes	3 x M20
Cable glands and entries	2 x M20 x 1.5
Material cable gland	Polyamide, black
Cable entry accessories	1 x with plug
Stopping plugs	1 x M20 x 1.5
Stopping plug material	Polyamide, black

6413/5121-4200-0123-0111 Art. No. 309592

Light Distribution Curves



Dimensional Drawings (All Dimensions in mm [inches]) – Subject to Alterations



For Cutout - 300*600mm

We reserve the right to make alterations to the technical data, dimensions, weights, designs and products available without notice. The illustrations cannot be considered binding.