

8602C3-728-S-00X-E02 Art. No. 253174



- Pushbutton, mushroom pushbutton, mushroom stay-put button with key lock, mushroom stay-put button, twin pushbutton and illuminated pushbutton, rotary actuator, key-operated switch, potentiometer bezel and indicator lamp bezel
- One axial actuator can actuate up to four Series 8082 contact elements
- Key-operated switches and rotary switches codable at any time as "latching/spring return" or "key not removable"

MY R. STAHL 8602A



Thanks to their special technical features, the actuators from the 8602/3 series can withstand the most extreme conditions. In addition to the application option for use in ambient temperatures from -60 °C to +70 °C, the IP degree of protection, IP66, is maintained in accordance with EN 60529. It is also possible to actuate up to four contact elements from the 8082 series with a single axial actuator from the 8602/3 series.

The coding option of the key switches and rotary switches is innovative and one-of-a-kind. Integrated coding allows you to adjust the "latching/spring return" and/or "key not removable" functions at any time without additional accessories. A versatile set of accessories consisting of label holders and locking devices is available.

Technical Data

Explosion Protection

| | |
|---------------------------------|--|
| Application range (zones) | 1, 2, 21, 22 |
| IECEX gas certificate | IECEX PTB 13.0047U |
| IECEX gas certificate | IECEX PTB 13.0047U |
| IECEX gas explosion protection | Ex eb IIC Gb |
| IECEX dust certificate | IECEX PTB 13.0047 U |
| IECEX dust explosion protection | Ex tb IIIC Db |
| ATEX gas certificate | PTB 13 ATEX 1019 U |
| ATEX gas certificate | PTB 13 ATEX 1019 U |
| ATEX gas explosion protection | Ex II 2 G Ex eb IIC Gb |
| ATEX dust certificate | PTB 13 ATEX 1019 U |
| ATEX dust explosion protection | Ex II 2 D Ex tb IIIC Db |
| UL gas certificate | E182378 V4 S2 |
| Inmetro gas certificate | UL-BR 14.0380U |
| Inmetro dust certificate | UL-BR 14.0380U |
| Certificates | ATEX (PTB), Brazil (ULB), Canada / USA (UL), Canada (UL), IECEX (PTB), India (PESO), Korea (KGS) |

Ambient Conditions

| | |
|-------------------------|--------------------|
| Ambient temperature | -60 °C ... 70 °C |
| Ambient temperature | -76 °F ... +158 °F |
| Storage temperature | -60 °C ... 70 °C |
| Storage temperature | -76 °F ... +158 °F |
| Use at the height of | < 2000 m |
| Max. operating altitude | 2000 m |

Installation equipment

Large rotary actuator Increased



8602C3-728-S-00X-E02 Art. No. 253174

Ambient Conditions

| | |
|-------------------------|---|
| Degree of contamination | 3 |
|-------------------------|---|

Mechanical Data

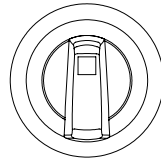
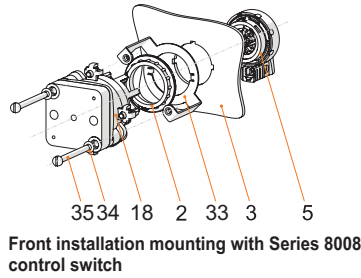
| | |
|------------------------------|---|
| Version | increased height |
| Degree of protection (IP) | IP66 |
| Note on degree of protection | According to IEC/EN 60529 |
| Enclosure material | Polyamide |
| Silicone-free | No |
| Assembly | 728 |
| Diameter | 65 mm |
| Service life, min. | 10 ⁵ actuations |
| Impact strength (IEC 60079) | 7 J |
| Impact strength (IEC 62262) | min. IK08 |
| Handle colour | Black |
| Protective collar colour | Black |
| Fastening | Thread type |
| Designation plate | 0/OFF – I/ON |
| Seal | Silicone |
| Lockable in | 0° |
| Packaging unit | 1 |
| Weight | 40 g |
| Weight | 0.09 lb |
| Description note | Lockable option (max. 3 times) can be determined using the enclosed closing parts. Lockable handle position: 0°; safety switch. In the unmounted assemblies, the standard label is 0/OFF-I/ON and the long coupling part is enclosed. Other labels must be ordered separately. |

Mounting / Installation

| | |
|--------------------------|---------------|
| Mounting type | Pre-installed |
| Tightening torque | 3 Nm |
| Tightening torque lbf in | 26.55 lbf in |

8602C3-728-S-00X-E02 Art. No. 253174

Technical Drawings – Subject to Alterations



Explanation of position display:

Safety switch, lockable in I/ON

Position of handle 0°

Key

2 = jam nut (order no. 205592)

3 = installation wall (wall thickness max. 2 mm [0.0787 inch])

5 = 8302/3 actuator with seal (4)

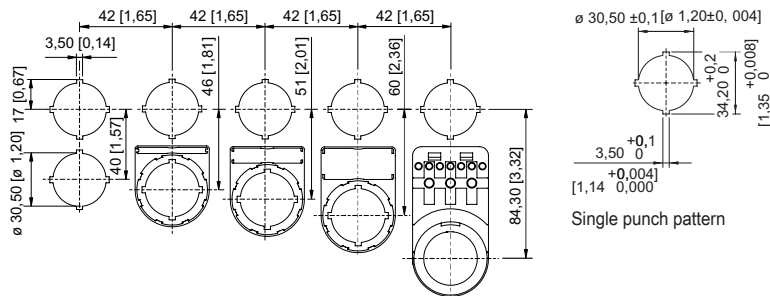
18 = 8008/2- control switch

33 = front installation 8602/3 adaptor for type 8008/2

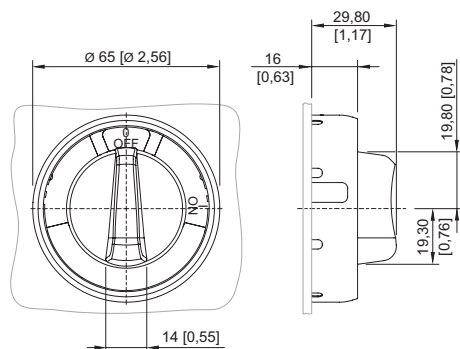
34 = M4 disc

35 = M4x screw

Dimensional Drawings (All Dimensions in mm [inches]) – Subject to Alterations



Cut-out with/without additional designation plate



8602/3-728 rotary actuator, black handle, red protective collar
 8602/3-729 rotary actuator, red handle, black protective collar
 Actuator with radial actuation

Accessories

Cylinder lock


Art. No.

Installation equipment

Large rotary actuator Increased



8602C3-728-S-00X-E02 Art. No. 253174

| | | |
|--|---------------------------|--------|
|  | for closing (bracket Ø 3) | 107115 |
|--|---------------------------|--------|

Spare Parts

Labels for large BG 728, BG 729, BG 730, BG 731 rotary actuator

Art. No.

| | | |
|--|-------------------------------|--------|
|  | Dia. 58 0/OFF I/ON | 227004 |
|  | Dia. 58 0 OPERATION I | 227005 |
|  | Dia. 58 0 I II | 227006 |
|  | Dia. 58 I 0 II | 227007 |
|  | Dia. 58 I II | 227008 |
|  | Dia. 58 0 I | 227009 |
|  | Dia. 58 I 0 I 0 | 227010 |
|  | Dia. 58 MANUAL 0 AUTO | 227011 |
|  | Dia. 58 0/OFF 0 I/ON | 227012 |
|  | Dia. 58, yellow 0/OFF I/ON | 227013 |

Installation equipment

Large rotary actuator Increased



8602C3-728-S-00X-E02 Art. No. 253174

| | | |
|--|---|-----------------|
|  | Dia. 58 0 I (90°) | 273760 |
|  | Dia. 58 Plain | 227014 |
| Special key | | Art. No. |
|  | for tightening plastic locking nut | 169101 |
| Adaptor for front installation | | Art. No. |
|  | 8602/3 front installation for control switch of Series 8008 | 260081 |

We reserve the right to make alterations to the technical data, dimensions, weights, designs and products available without notice. The illustrations cannot be considered binding.