

Components for system solutions

Residual current Circuit breaker

Circuit breaker

8562/54-4514-400 Art. No. 316394

STAHL



- Modular component for residual current monitoring
- Can be used for pulsating direct currents and alternating currents
- Protection against contact voltages

MY R. STAHL 8562A



The R. STAHL Series 8562 residual current circuit breaker is a component for residual current monitoring and switches systems in the event of residual currents – for the reliable protection of persons in hazardous areas. It is suitable for pulsating direct currents and alternating currents and is designed for rated operational currents of 16, 25 or 40 A and rated residual currents of 10, 30, 100, 300 and 500 mA.

Technical Data

Explosion Protection	
Application range (zones)	1, 2
cCSA certificate	1850696
Certificates	ATEX (PTB), Brazil (ULB), Canada (FM), China (CQST), IECEx (PTB), USA (FM)
Electrical Data	
Type of voltage	AC
AC rated operational voltage	480 V
Rated operational current	40 A
Rated residual current	0.03 A
Auxiliary contacts	1 change-over contact
No. of poles	4
N-pole present	Yes
Ambient Conditions	
Ambient temperature	-20 °C ... 60 °C
Mechanical Data	
Degree of protection (IP)	IP20
Enclosure material	Epoxy resin
Width, inches	3.9 in
Length	156 mm
Length in inches	6.14 in
Mounting depth	97.5 mm
Mounting depth in inches	3.84 in
Weight	1.8 kg
Weight	3.97 lb

Components for system solutions

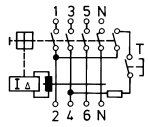
Residual current Circuit breaker

Circuit breaker

8562/54-4514-400 Art. No. 316394



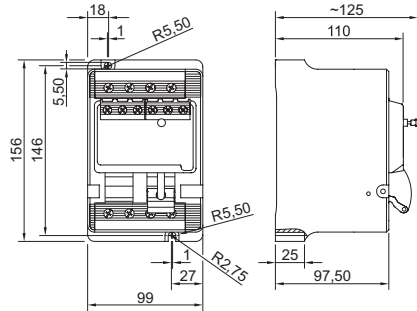
Technical Drawings – Subject to Alterations



Auxiliary contact 1 change-over contacts

4-pole

Dimensional Drawings (All Dimensions in mm [inches]) – Subject to Alterations



Residual current circuit breaker, 4-pole, 8562/54-...

We reserve the right to make alterations to the technical data, dimensions, weights, designs and products available without notice. The illustrations cannot be considered binding.