

Components for system solutions

Residual current Circuit breaker

Circuit breaker

8562/54-4534-400 Art. No. 316396



- Modular component for residual current monitoring
- Can be used for pulsating direct currents and alternating currents
- Protection against contact voltages

MY R. STAHL 8562A



The R. STAHL Series 8562 residual current circuit breaker is a component for residual current monitoring and switches systems in the event of residual currents – for the reliable protection of persons in hazardous areas. It is suitable for pulsating direct currents and alternating currents and is designed for rated operational currents of 16, 25 or 40 A and rated residual currents of 10, 30, 100, 300 and 500 mA.

Technical Data

Explosion Protection

| | |
|---------------------------|--|
| Application range (zones) | 1, 2 |
| cCSA certificate | 1850696 |
| Certificates | ATEX (PTB), Brazil (ULB), Canada (FM), China (CQST), IECEx (PTB), USA (FM) |

Electrical Data

| | |
|------------------------------|-----------------------|
| Type of voltage | AC |
| AC rated operational voltage | 480 V |
| Rated residual current | 0.3 A |
| Auxiliary contacts | 1 change-over contact |
| No. of poles | 4 |
| N-pole present | Yes |

Ambient Conditions

| | |
|---------------------|------------------|
| Ambient temperature | -20 °C ... 60 °C |
|---------------------|------------------|

Mechanical Data

| | |
|---------------------------|-------------|
| Degree of protection (IP) | IP20 |
| Enclosure material | Epoxy resin |
| Width, inches | 3.9 in |
| Length | 156 mm |
| Length in inches | 6.14 in |
| Mounting depth | 97.5 mm |
| Mounting depth in inches | 3.84 in |
| Weight | 1.8 kg |
| Weight | 3.97 lb |

Components for system solutions

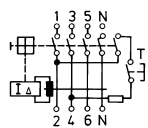


Residual current Circuit breaker

Circuit breaker

8562/54-4534-400 Art. No. 316396

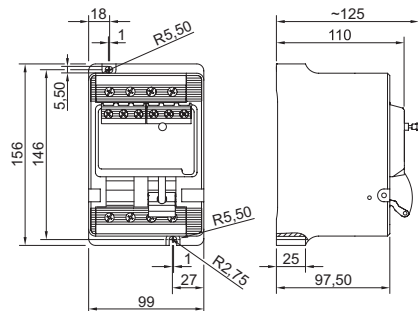
Technical Drawings – Subject to Alterations



Auxiliary contact 1 change-over contacts

4-pole

Dimensional Drawings (All Dimensions in mm [inches]) – Subject to Alterations



Residual current circuit breaker, 4-pole, 8562/54-...

We reserve the right to make alterations to the technical data, dimensions, weights, designs and products available without notice. The illustrations cannot be considered binding.