

8150/5-V88-37122-3304 Art. No. 254871



- Mounting flush with the wall with a hygienic design
- Stainless steel enclosure in AISI 316L with a covered sealing system
- A locked switch prevents the connector from being inadvertently pulled out under load
- Versions with single or dual sockets
- Current levels of 16 A and/or 32 A

MY R. STAHL 8150E

The wall-mounted socket distributors for clean rooms from series 8150/5-V88 have been developed for all applications in which particle contamination can affect the quality, purity or service life of a product. For example, in the pharmaceutical industry an excessive particle content restricts the purity of medication, while in the semiconductor industry particles can shorten the service life of components such as chips, LEDs or touchscreens. Other fields include the optical industry (production of lenses and microscopes), the food industry, and the life science and laboratory sectors. With their clear structure and hygienic design, the socket distributors can be installed flush with the wall in the aforementioned areas according to the necessary classification.

Technical Data

Explosion Protection

| | |
|---------------------------------|--|
| Scope of validity | European Union (ATEX) IECEX India (PESO) |
| Application range (zones) | 1 2 21 22 |
| IECEX gas certificate | IECEX PTB 09.0049 |
| IECEX gas explosion protection | Ex db eb IIC T6 Gb |
| IECEX dust certificate | IECEX PTB 09.0049 |
| IECEX dust explosion protection | Ex tb IIIC T80 °C Db |
| ATEX gas certificate | PTB 09 ATEX 1109 |
| ATEX gas explosion protection | ⊕ II 2 G Ex db eb IIC T6 Gb |
| ATEX dust certificate | PTB 09 ATEX 1109 |
| ATEX dust explosion protection | ⊕ II 2 D Ex tb IIIC T80 °C Db |
| Certificates | ATEX (PTB), IECEX (PTB), India (PESO) |

Electrical Data

| | |
|--------------------------|-----|
| Looping through possible | Yes |
|--------------------------|-----|

Ambient Conditions

| | |
|---------------------|--------------------|
| Ambient temperature | -50 °C ... +40 °C |
| Ambient temperature | -58 °F ... +104 °F |

Mechanical Data

| | |
|---------------------------------------|------|
| Degree of protection (IP) (IEC 60529) | IP66 |
| IP degree of protection (IEC 60079) | IP64 |

Installation equipment

Wall-mounted socket distributor for clean rooms



8150/5-V88-37122-3304 Art. No. 254871

Mechanical Data

| | |
|--------------------|---|
| Enclosure material | Stainless steel 1.4404, (AISI 316L), brush finished |
| Silicone-free | No |
| Width | 238 mm |
| Width in inches | 9.37 in |
| Height | 155 mm |
| Height, inches | 6.1020 in |
| Length | 470 mm |
| Length, inches | 18.51 in |
| Seal | Silicone, foamed |
| Enclosure size | 176,5x360x91 mm |
| Weight | 7.8 kg |
| Weight | 17.2 lb |

Components

| | |
|----------------------------------|--|
| Stopping plugs | 4 x M25 x 1.5 |
| Stopping plug material | Polyamide, black |
| Number of sockets 1 | 1 |
| Socket 1 type | 8570/18 |
| Rated operating voltage socket 1 | 100 ... 130 V |
| Socket 1 frequency | 50/60 Hz |
| Rated operating current socket 1 | 16 A |
| Number of poles on socket 1 | 3 |
| Socket 1 colour code | Yellow |
| Socket 1 coding | 4 |
| Terminal type socket 1 | Phoenix UT 6 Phoenix UT 6-PE |
| Socket 1 connec. cross-section | 4 mm ² 6 mm ² |
| Socket 1 enclosure material | Polyamide, glass fibre reinforced |
| Switching capacity 1 | AC-3: 690 V/25 A AC-3: 500 V/32 A |
| Switching capacity 1 note | according to IEC/EN 60947-3 |

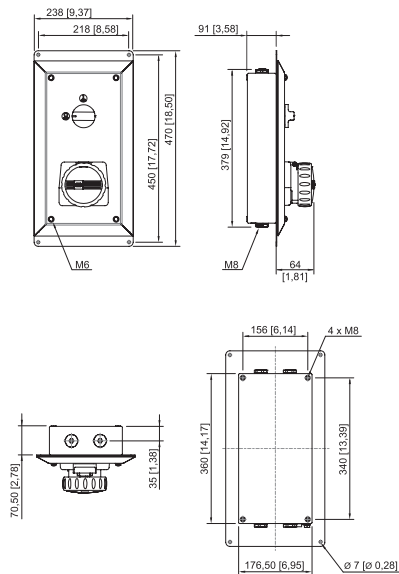
Installation equipment

Wall-mounted socket distributor for clean rooms



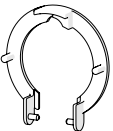

8150/5-V88-37122-3304 Art. No. 254871

Dimensional Drawings (All Dimensions in mm [inches]) – Subject to Alterations



8150/5-V88 with 8570/18, 16 A

Accessories

| Dust cover for sockets, series 8570 | | Art. No. |
|--|--|----------|
|  | Retrofittable dust protection for 3-pole sockets | 253118 |
| Plug | | Art. No. |
|  | 8570/12-304-S-XX-X-XX-XXX 3-pole plug, 100 to 130 V AC, 50/60 Hz, 16 A | 272896 |

We reserve the right to make alterations to the technical data, dimensions, weights, designs and products available without notice. The illustrations cannot be considered binding.