

Lighting

Linear luminaire For fluorescent lamps

GRP

6401/542-8008-15-131 Art. No. 256611



- Can be used in Zone 2, 21 and 22
- Explosion-protected linear luminaire with two fluorescent lamps: 18 W, 36 W and 58 W
- Extremely robust: Impact strength rating of IK10

MY R. STAHL 6401A



The 6401 EXLUX luminaire is suited to normal indoor and outdoor lighting applications. In no time at all and with very little effort, using the accessories it can be fitted to the wall, ceiling or a pole, or alternatively, it can be suspended. The practical central lock is available with an optional switching element that disconnects the power supply at all poles when the plastic enclosure is opened. Lightweight yet strong: The high-quality workmanship makes this luminaire robust and minimises maintenance requirements.

Technical Data

Explosion Protection

| | |
|---------------------------------|------------------------------------|
| Ex version | Yes |
| Application range (zones) | 2 21 22 |
| IECEX gas certificate | IECEX PTB 14.0035 |
| IECEX gas explosion protection | Ex ec IIC T4 Gc |
| IECEX dust certificate | IECEX PTB 14.0035 |
| IECEX dust explosion protection | Ex tb / tc IIIC T80 °C Db |
| ATEX gas certificate | PTB 14 ATEX 2017 |
| ATEX gas explosion protection | ⊕ II 3 G Ex ec IIC T4 Gc |
| ATEX dust certificate | PTB 14 ATEX 2016 |
| ATEX dust explosion protection | ⊕ II 2 D Ex tb / tc IIIC T80 °C Db |
| Certificates and approvals | ATEX IECEX |
| Certificates | ATEX (PTB), IECEX (PTB) |

Electrical Data

| | |
|------------------------------|---------------|
| Rated operational voltage AC | 220 – 240 V |
| Rated operational voltage DC | 220 ... 240 V |
| Frequency range | 50 – 60 Hz |

Lighting Data

| | |
|--------------------|---------------|
| Number of lamps | 2 |
| Lamp wattage | 36 W |
| Lamp | G13 lamp base |
| Luminaire efficacy | 0 lm/W |
| Luminous flux | 0 lm |

Lighting

Linear luminaire For fluorescent lamps

GRP

6401/542-8008-15-131 Art. No. 256611



Ambient Conditions

Ambient temperature -30 °C ... +55 °C (T80 °C) (T80 °C)

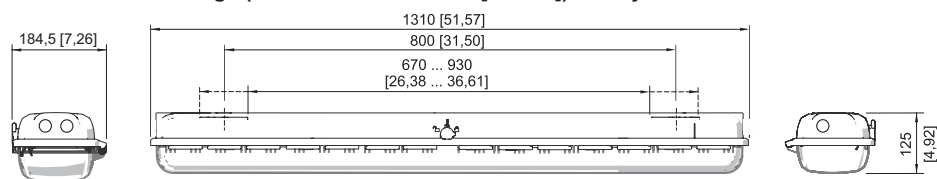
Mechanical Data

| | |
|---|---|
| Version | Standard |
| IP degree of protection (IEC 60598) | IP66/IP67 |
| Class | I (with inner PE connection) |
| Enclosure material | Polyester resin, Glass fibre reinforced |
| Enclosure colour | Light grey (RAL 7035) |
| Sealing material | Silicone |
| Silicone-free content | Contains silicone |
| Translucent cover material | Polycarbonate |
| Installed terminal strip | PE + N + L1 + L2 + L3 |
| Max. solid connection terminals | 6 mm ² |
| Max. finely stranded connection terminals | 4 mm ² |
| Type of connection cable | Finely stranded Solid Stranded |
| Size | 4 |
| Width | 184 mm |
| Height | 125 mm |
| Length | 1310 mm |
| Impact strength (IEC 62262) | IK10 |
| Weight | 5.3 kg |
| Weight | 11.68 lb |
| Disconnection of the luminaire | No |

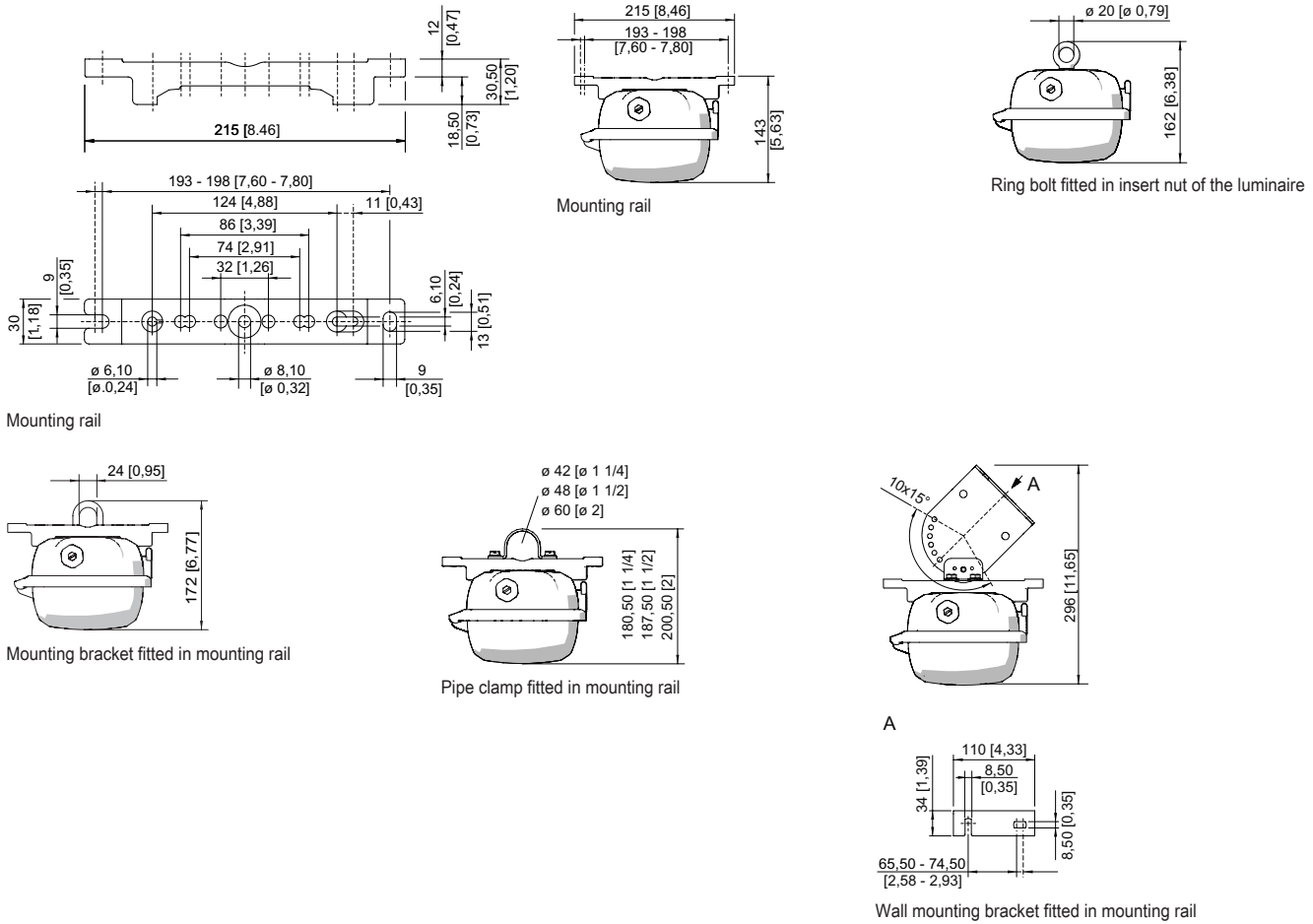
Components

| | |
|--------------------------|------------------|
| Threaded plate | 2x plastic |
| Ballast | ELXe |
| Through wiring | without |
| Drilled holes | 3 x M25 |
| Cable glands and entries | 2 x M25 Ø 7 ... |
| Material cable gland | Polyamide, black |
| Stopping plugs | 2 x M25 x 1.5 |
| Stopping plug material | Polyamide, black |
| Accessories | Provided |

Dimensional Drawings (All Dimensions in mm [inches]) – Subject to Alterations



Size 4



Accessories

Holder for translucent cover



The fall prevention system for the light fitting cover prevents the light fitting cover from falling accidentally when the light fitting is opened.

Art. No.

226791

We reserve the right to make alterations to the technical data, dimensions, weights, designs and products available without notice. The illustrations cannot be considered binding.