

# Signalling devices

Visual signalling device LED light fitting

In flameproof enclosure

FL60/336-D0801-00RR10-ST000-0000 Art. No. 323013



- The latest generation of audible and visual alarm devices
- Ex d/Ex e connection chambers
- Visual solutions with 5 J XENON and high-power LEDs with various light modes and 4 light channels
- Four output levels can be configured
- Brackets, fixings and protective grid made from stainless steel
- Fastening bracket and protective cage included

MY R. STAHL FL60D



The **FL60/3 product series** provides visual alarm signals which can be used to alert, warn or draw attention to equipment malfunction/start-up or any number of safety-related issues in hazardous areas. The preconfigured light patterns (LED) provide a wide range of internationally standardised signal patterns, whereby four channels are available for each, enabling flexible use.

## Technical Data

### Explosion Protection

|                                 |   |
|---------------------------------|---|
| Area of application             | European Union (ATEX)<br>IECEX          |
| Application range (zones)       | 1, 2, 21, 22                            |
| IECEX gas certificate           | IECEX EPS 22.0046 X                     |
| IECEX gas explosion protection  | Ex db IIC T6 / T4 Gb                    |
| IECEX dust certificate          | IECEX EPS 22.0046 X                     |
| IECEX dust explosion protection | Ex tb IIIC T80 °C / T100 °C Db          |
| ATEX gas certificate            | EPS 22 ATEX 1 224 X                     |
| ATEX gas explosion protection   | ⊕ II 2 G Ex db IIC T6 / T4 Gb           |
| ATEX dust certificate           | EPS 22 ATEX 1 224 X                     |
| ATEX dust explosion protection  | ⊕ II 2 D Ex tb IIIC T80 °C / T100 °C Db |
| Certificates                    | ATEX (BVIS), IECEX (BVIS)               |
| Declaration of conformity       | ATEX (EUK)                              |

### Electrical Data

|                              |               |
|------------------------------|---------------|
| Rated operational voltage DC | 12 ... 27.2 V |
| Line monitoring              | Yes           |

### Lighting Data

|   |                        |
|---|------------------------|
| Lamp  | LED dome light fitting |
| Effective light beam (continuous light, 100%) | 315 lm                 |
| Effective luminous intensity (1 Hz, flashing) | 128 cd                 |

### Ambient Conditions

|                     |  |
|---------------------|--|
| Ambient temperature | -40 °C ... 40 °C (T6)<br>-40 °C ... 70 °C (T4) |
| Storage temperature | -60 °C ... 70 °C                               |
| Humidity            | 95 %   |

# Signalling devices



Visual signalling device LED light fitting

In flameproof enclosure

FL60/336-D0801-00RR10-ST000-0000 Art. No. 323013

## Mechanical Data

|   |  |
|---|--|
| IP degree of protection (IEC 60598)       | IP66/67                                      |
| Connection chamber version                | Ex d   |
| Enclosure material                        | Aluminium, powder-coated, Seawater-resistant |
| Enclosure colour                          | red, similar to RAL 3020                     |
| Silicone-free content                     | Contains silicone                            |
| Material dome                             | Polycarbonate, prismatic                     |
| Material glass dome                       | Polycarbonate, prismatic                     |
| Protective collar material                | Polycarbonate (PC cover)                     |
| Wire guard material                       | Stainless steel                              |
| Max. solid connection terminals           | 4 mm <sup>2</sup>                            |
| Max. finely stranded connection terminals | 2.5 mm <sup>2</sup>                          |
| Clamping range                            | 0.5 ... 4 mm                                 |
| Width                                     | 176 mm                                       |
| Height                                    | 317 mm                                       |
| Length                                    | 128 mm                                       |
| Lens colour                               | Red  |
| Mounting                                  | L-bracket                                    |
| Weight                                    | 5.92 kg                                      |

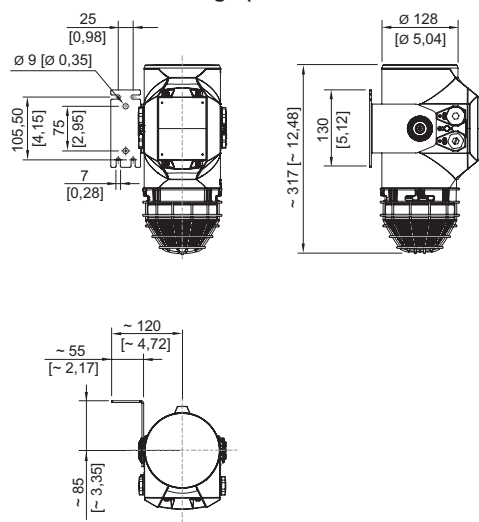
## Mounting / Installation

|                        |                 |
|------------------------|-----------------|
| Connection type        | Push in         |
| Mounting part material | Stainless steel |

## Components

|                        |                     |
|------------------------|---------------------|
| Drilled holes          | 2x M20 + 2x 1/2"    |
| Stopping plugs         | 2x M20 + 2x 1/2"    |
| Stopping plug material | Nickel-plated brass |

## Dimensional Drawings (All Dimensions in mm [inches]) – Subject to Alterations



## Signalling devices

Visual signalling device LED light fitting

In flameproof enclosure

FL60/336-D0801-00RR10-ST000-0000 Art. No. 323013



### Accessories

#### Metal cable gland

#### Art. No.

|  |  |        |
|--|--|--------|
|  | Ex d and Ex e cable gland with compound for all types of armoured cables (SWA, wire-braid, tape) (nickel-plated brass)<br>Type 20PX2K, M20 x 1.5                               | 109428 |
|  | Ex d and Ex e cable glands with RapidEx sealing system for all types of unarmoured cables and wire-braid-armoured cables (nickel-plated brass)<br>Type 20PX2K-REX, M20 x 1.5   | 246649 |
|  | Ex d and Ex e cable glands with compound for all types of unarmoured cables and wire-braid-armoured cables (nickel-plated brass)<br>Type 20PXSS2K, M20 x 1.5                   | 109441 |
|  | Ex d and Ex e cable glands with RapidEx sealing system for all types of unarmoured cables and wire-braid-armoured cables (nickel-plated brass)<br>Type 20PXSS2K-REX, M20 x 1.5 | 246605 |

#### Plastic cable gland

#### Art. No.

|  |   |        |
|--|---|--------|
|  | 8161/7-M20-1304, Ex e<br>Polyamide, M20 x 1,5 mm, 4 – 13 mm<br>Lot size 50 pieces | 239156 |
|--|---|--------|

#### Stopping plug

#### Art. No.

|  |   |        |
|--|---|--------|
|  | 8290/3-M20<br>Plastic, M20 x 1.5<br>Lot size 1 piece    | 143522 |
|  | 8290/3-M20<br>Plastic, M20 x 1.5<br>Lot size 100 pieces | 285773 |

### Spare Parts

#### Mounting accessories

#### Art. No.

|  |                                   |        |
|--|-----------------------------------|--------|
|  | L-bracket, stainless steel 1.4404 | 319271 |
|  | U-bracket, stainless steel 1.4404 | 319280 |

#### Protective cage

#### Art. No.

|  |   |        |
|--|---|--------|
|  | Protective cage, stainless steel 1.4404 | 319272 |
|--|---|--------|

## Signalling devices




Visual signalling device LED light fitting

In flameproof enclosure

FL60/336-D0801-00RR10-ST000-0000 Art. No. 323013

### Textured lens

|  |     | Art. No. |
|--|-----|----------|
|  | red | 319278   |

We reserve the right to make alterations to the technical data, dimensions, weights, designs and products available without notice. The illustrations cannot be considered binding.