

MS25/C-N-1-0-1-1-5G0-5R0 Art. No. 257665



- Pre-wired for use with a multi-purpose signalling device
- Corrosion-resistant
- Suitable for offshore/onshore and harsh environments
- FX15 signalling device made from GRP and YA90 for visual and audible alerts
- including
  - flashing xenon or steady LED options
- Sounder with max. output of 115 dB
- Ex e connection chamber
- Quick and easy to terminate
- High degree of protection IP66 and IP67
- Extreme temperature range from -55 °C to +70 °C
- Light-enhancing lens, eight colour options
- Up to five beacon positions, plus junction box
- Up to three beacon positions and one YA90 sounder plus junction box

MY R. STAHL MSA



The MEXE, MS25, MS35, MS45 and MS55 product series represent user-friendly solutions, which are used for status indication purposes in harsh environments or hazardous areas. Whether installing a single beacon or a multi-unit device, the assembly process is performed using certified components, which are pre-connected in an Ex e junction box, making installation quick and easy. The enclosures of the signalling devices are made from GRP and are installed on the stainless steel back plate using corrosion-resistant mounting equipment. The system provides the user with a status indication unit, incorporating either xenon or LED beacons, along with audible notification, if required. The extreme temperature range and IP degree of protection, along with corrosion-resistant materials, make this device the ideal choice for both onshore and offshore applications.

### Technical Data

#### Explosion Protection

Application range (zones)	1 2 21 22
IECEX gas certificate	IECEX BAS 13.0003X
IECEX gas explosion protection	Ex de IIC T6 Db
IECEX dust certificate	IECEX BAS 13.0003X
IECEX dust explosion protection	Ex tb IIIC T85 °C
ATEX gas certificate	Baseefa 13 ATEX 0006
ATEX gas explosion protection	Ex II 2 G Ex de IIC T6 Db
ATEX dust certificate	Baseefa 13 ATEX 0006
ATEX dust explosion protection	Ex II 2 D Ex tb IIIC T85 °C
Certificates	ATEX (BAS), IECEX (BAS)

#### Electrical Data

Rated operational voltage AC	230 V
------------------------------	-------

#### Lighting Data

Number of light fields	2
Lamp	LED

MS25/C-N-1-0-1-1-5G0-5R0 Art. No. 257665

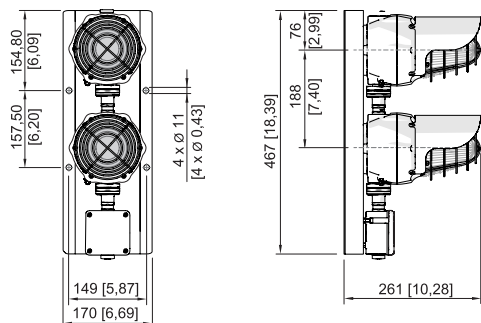
### Ambient Conditions

Ambient temperature -60 °C ... +70 °C

### Mechanical Data

Degree of protection (IP)	IP66
Enclosure material	Polycarbonate
Lens material	Polycarbonate
Width	170 mm
Height	467 mm
Length	261 mm
Number of light fields	Red/green
Weight	7.84 kg
Weight	17.28 lb

### Dimensional Drawings (All Dimensions in mm [inches]) – Subject to Alterations



We reserve the right to make alterations to the technical data, dimensions, weights, designs and products available without notice. The illustrations cannot be considered binding.