

8265/53 Art. No. 258122



- High-frequency motion sensor
- Intelligent sensor technology
- Adjustable switching time
- Operating point adjustable for dawn/dusk

MY R. STAHL 8265E

The motion sensor is equipped with intelligent sensor technology that provides additional security. With a range from 1 to 8 m, a switching load of 1000 W and an operating point from 2 to 2000 lux, the motion sensor is perfect for controlling lights and lighting systems.

Technical Data

Explosion Protection

Application range (zones)	1 2 21 22
IECEX gas certificate	IECEX PTB 07.0029
IECEX gas explosion protection	Ex db eb IIC T6 Gb
IECEX dust certificate	IECEX PTB 07.0029
IECEX dust explosion protection	Ex tb IIIC T80 °C Db
ATEX gas certificate	PTB 06 ATEX 1077
ATEX gas explosion protection	Ex II 2 G Ex db eb IIC T6 Gb
ATEX dust certificate	PTB 06 ATEX 1077
ATEX dust explosion protection	Ex II 2 D Ex tb IIIC T80 °C Db
Certificates	ATEX (PTB), Brazil (ULB), China (NEPSI), IECEX (PTB), India (PESO), Korea (KGS)
Declaration of Conformity	China (CCC)

Ambient Conditions

Ambient temperature	-20 °C ... +40 °C
Ambient temperature	-4°F ... +104°F

Mechanical Data

Degree of protection (IP)	IP66
Degree of protection note	with silicone seal
Enclosure material	Aluminium, copper-free, Seawater-resistant
Material note	For long-term use in marine environments, we recommend painting the unit
Clamping range max.	2.5 mm ²
Cover	Closed
Design	Motion sensor
Width	195 mm
Width in inches	7.68 in
Height	172 mm

8265/53 Art. No. 258122

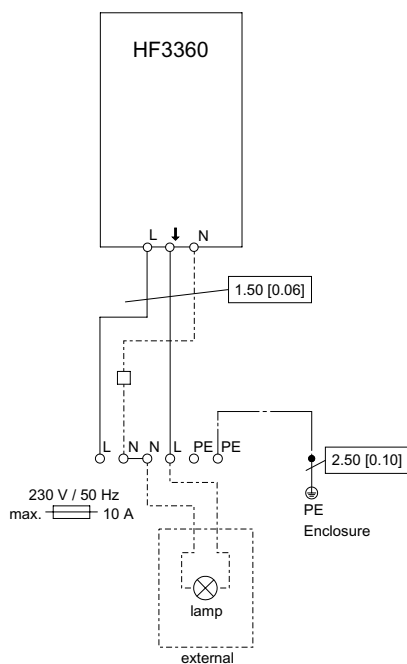
Mechanical Data

Height, inches	6.77 in
Length	195 mm
Length, inches	7.68 in
Diameter	234 mm
Diameter inch	9.21 in
Seal	2 x M20 Novapress 815
Enclosure size	3
Weight	8.18 kg
Weight	18.04 lb

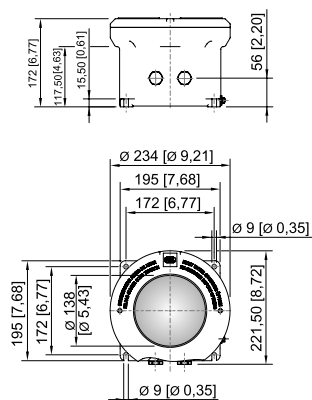
Components

Stopping plugs	2 x CMP-757D MsNi M20
Stopping plug note	with white seal PA M20

Technical Drawings – Subject to Alterations



Dimensional Drawings (All Dimensions in mm [inches]) – Subject to Alterations



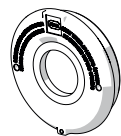
Enclosure size 3 with sight glass

8265/53 Art. No. 258122

Accessories

Cover with sight glass

Art. No.



for size 3 enclosure
visible cut-out in the sight glass dia. 142 mm [5.59 inches]

143452

Metal cable gland

Art. No.



Ex d and Ex e cable glands with RapidEx sealing system for all types of unarmoured cables and wire-braid-armoured cables (nickel-plated brass)
Type 20PX2K-REX, M20 x 1.5

246649

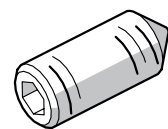


Ex d and Ex e cable glands with RapidEx sealing system for all types of unarmoured cables and wire-braid-armoured cables (nickel-plated brass)
Type 20PXSS2K-REX, M20 x 1.5

246605

Threaded pin

Art. No.

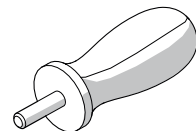


M5x16-A2 with hexagon socket and pointed tip

110216

Box spanner

Art. No.



for opening a size 1, 2, 3, 4 enclosure cover
two box spanners are required

142059

Grease for thread gaps

Art. No.



Grease for low temperatures

275854

Spare Parts

Mounting plate

Art. No.



for enclosure size 3
M5 x 8 screws are not included in the delivery

143485

O-ring

Art. No.



Silicone, for enclosure size 3

305500

We reserve the right to make alterations to the technical data, dimensions, weights, designs and products available without notice. The illustrations cannot be considered binding.