

Components for system solutions



Empty enclosure

Hinge / screw-on cover

8151/0-051D-3331 Art. No. 324632



- Ex e enclosure series made of stainless steel
- Ideally suited for terminal boxes
- 14 different standard sizes
- Cover with screws or with hinge
- Available as Ex e empty enclosure or customised as Ex e terminal box

MY R. STAHL 8151A



Ex e enclosure made of high-quality 1.4404 stainless steel, specially designed for use as a terminal box. 14 standard sizes with 1 mm/1.2mm thickness, optionally with screw-on cover or hinge with screws or cam locks, offer great flexibility for a wide range of applications. Can be customised with terminal blocks from various manufacturers, as well as a large selection of cable glands, cable entries, mounting and flange plates.

The enclosures in the 8151 series are available as empty enclosures with U-certification or as fully certified Ex e terminal boxes.

Technical Data

Explosion Protection

Area of application	European Union (ATEX) IECEX
Application range (zones)	1, 2, 21, 22
IECEX gas certificate	IECEX BVS 24.0002 U
IECEX gas explosion protection	Ex eb IIC Gb
IECEX dust certificate	IECEX BVS 24.0002 U
IECEX dust explosion protection	Ex tb IIIC Db
ATEX gas certificate	BVS 24 ATEX E 001 U
ATEX gas explosion protection	⊕ II 2 G Ex eb IIC Gb
ATEX dust certificate	BVS 24 ATEX E 001 U
ATEX dust explosion protection	⊕ II 2 D Ex tb IIIC Db
Certificates	ATEX (BVS), IECEX (BVS)

Ambient Conditions

Ambient temperature	-60 °C ... +135 °C
Ambient temperature	-76 °F ... +275 °F

Mechanical Data

Degree of protection (IP) (IEC 60529)	IP66
Enclosure material	Stainless steel 1.4404, Brush finished
Silicone-free	No
Cover	Hinge / screw-on cover
Cover fixing type	With captive screws, With side C hinge
Cover thickness	1 mm
Cover thickness in inches	0.0039 in
Wall thickness	1 mm

Components for system solutions

Empty enclosure

Hinge / screw-on cover

8151/0-051D-3331 Art. No. 324632



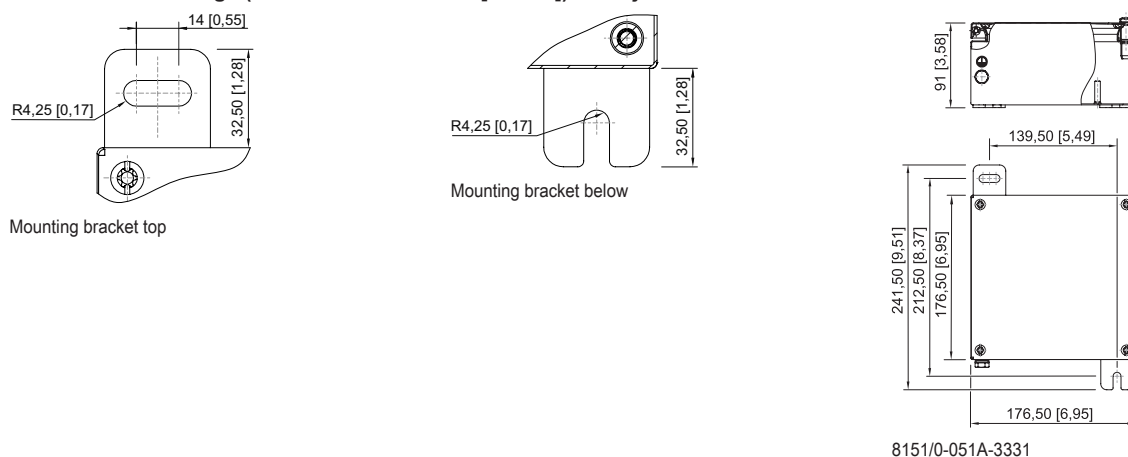
Mechanical Data

Wall thickness in inches	0.0039 in
Width	176.5 mm
Width, inches	6.94 in
Height	176.5 mm
Height in inches	6.94 in
Depth	91 mm
Depth in inches	3.58 in
Impact strength (IEC 60079)	7 J
Impact strength (IEC 62262)	IK09
Packaging unit	1
Weight	2 kg
Weight	4.41 lb

Mounting / Installation

Tightening torque of cover screw 1	4.5 N · m
Tightening torque of cover screw 1 lbf in	39.83 lbf in

Dimensional Drawings (All Dimensions in mm [inches]) – Subject to Alterations



We reserve the right to make alterations to the technical data, dimensions, weights, designs and products available without notice. The illustrations cannot be considered binding.