

# Components for system solutions



Empty enclosure

Hinge / screw-on cover

8151/0-061A-3331 Art. No. 324633



- Ex e enclosure series made of stainless steel
- Ideally suited for terminal boxes
- 14 different standard sizes
- Cover with screws or with hinge
- Available as Ex e empty enclosure or customised as Ex e terminal box

MY R. STAHL 8151A



Ex e enclosure made of high-quality 1.4404 stainless steel, specially designed for use as a terminal box. 14 standard sizes with 1 mm/1.2mm thickness, optionally with screw-on cover or hinge with screws or cam locks, offer great flexibility for a wide range of applications. Can be customised with terminal blocks from various manufacturers, as well as a large selection of cable glands, cable entries, mounting and flange plates.

The enclosures in the 8151 series are available as empty enclosures with U-certification or as fully certified Ex e terminal boxes.

## Technical Data

### Explosion Protection

|                                 |                                |
|---------------------------------|--------------------------------|
| Area of application             | European Union (ATEX)<br>IECEX |
| Application range (zones)       | 1, 2, 21, 22                   |
| IECEX gas certificate           | IECEX BVS 24.0002 U            |
| IECEX gas explosion protection  | Ex eb IIC Gb                   |
| IECEX dust certificate          | IECEX BVS 24.0002 U            |
| IECEX dust explosion protection | Ex tb IIIC Db                  |
| ATEX gas certificate            | BVS 24 ATEX E 001 U            |
| ATEX gas explosion protection   | ⊕ II 2 G Ex eb IIC Gb          |
| ATEX dust certificate           | BVS 24 ATEX E 001 U            |
| ATEX dust explosion protection  | ⊕ II 2 D Ex tb IIIC Db         |
| Certificates                    | ATEX (BVS), IECEX (BVS)        |

### Ambient Conditions

|                     |                    |
|---------------------|--------------------|
| Ambient temperature | -60 °C ... +135 °C |
| Ambient temperature | -76 °F ... +275 °F |

### Mechanical Data

|                                       |  |
|---------------------------------------|--|
| Degree of protection (IP) (IEC 60529) | IP66                                   |
| Enclosure material                    | Stainless steel 1.4404, Brush finished |
| Silicone-free                         | No                                     |
| Cover                                 | Hinge / screw-on cover                 |
| Cover fixing type                     | With captive screws, With side C hinge |
| Cover thickness                       | 1 mm                                   |
| Cover thickness in inches             | 0.0039 in                              |
| Wall thickness                        | 1 mm                                   |

# Components for system solutions

Empty enclosure

Hinge / screw-on cover

8151/0-061A-3331 Art. No. 324633



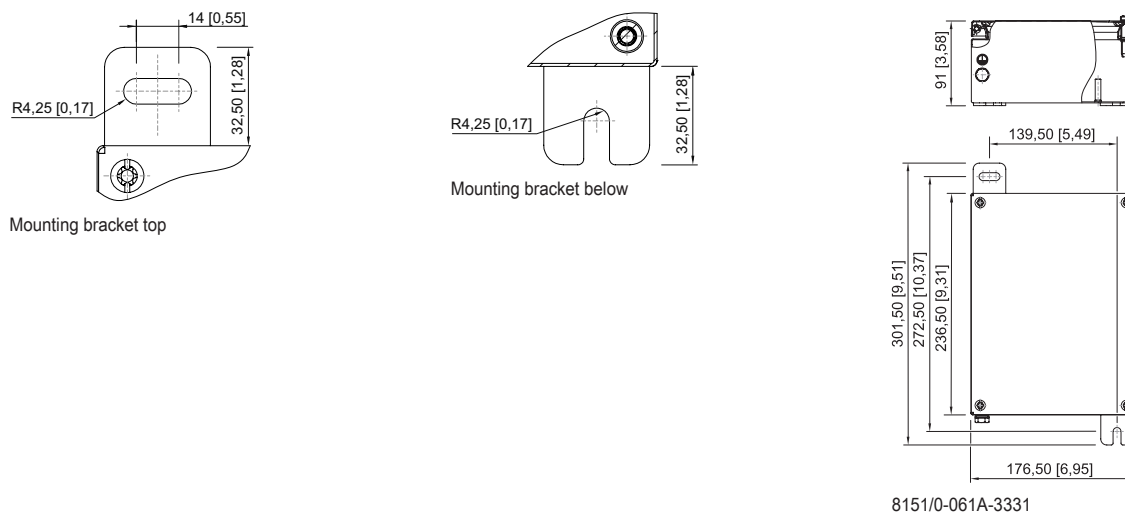
## Mechanical Data

|                             |           |
|-----------------------------|-----------|
| Wall thickness in inches    | 0.0039 in |
| Width                       | 176.5 mm  |
| Width, inches               | 6.94 in   |
| Height                      | 236.5 mm  |
| Height in inches            | 9.31 in   |
| Depth                       | 91 mm     |
| Depth in inches             | 3.58 in   |
| Impact strength (IEC 60079) | 7 J       |
| Impact strength (IEC 62262) | IK09      |
| Packaging unit              | 1         |
| Weight                      | 2.3 kg    |
| Weight                      | 5.07 lb   |

## Mounting / Installation

|   |              |
|---|--------------|
| Tightening torque of cover screw 1        | 4.5 N · m    |
| Tightening torque of cover screw 1 lbf in | 39.83 lbf in |

## Dimensional Drawings (All Dimensions in mm [inches]) – Subject to Alterations



We reserve the right to make alterations to the technical data, dimensions, weights, designs and products available without notice. The illustrations cannot be considered binding.