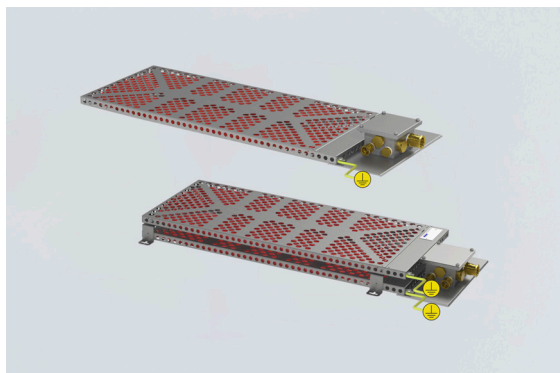


TEF92081002 Art. No. 259562



- Low profile, easy to fit inside cabinets
- Self-regulating heating element. Prevents overheating
- Rugged AISI 316L, acid steel construction
- Low maintenance
- For use inside equipment enclosures and cabinets to prevent condensation and provide climatic control
- Frost protection

MY R. STAHL T9208B



Globally approved Ex e, self regulating enclosure heater. AISI 316L acid resistant steel enclosure and junction box. Junction box for electrical connections. Delivered with power output from 100 W up to 600 W at 0 °C.

Technical Data

Explosion Protection

Application range (zones)	1, 2
IECEX gas certificate	IECEX NEM 11.0005X
IECEX gas explosion protection	Ex e IIC T4 Gb
ATEX gas certificate	NEMKO 11ATEX1098X
ATEX gas explosion protection	Ex II 2 G Ex e IIC T4 Gb

Electrical Data

Rated operational voltage AC	230 V
Power	175 W
Frequency range	50 – 60 Hz

Ambient Conditions

Ambient temperature	-50 °C ... +50 °C (live)
Storage temperature	-50 °C ... +80 °C

Mechanical Data

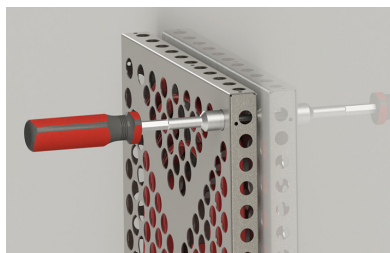
Degree of protection (IP)	IP54
Degree of protection note	For use in enclosures
Enclosure material	Stainless steel 1.4404
Max. connection cross section, solid	4 mm ²
Max. connection cross-section, finely stranded	2,5 mm ²
Cable length	0 m
Dimension A	280 mm
Dimension B	834 mm
Dimension C	30 mm
Dimension D	80 mm
Dimension E	590 mm
Dimension F	240 mm
Weight	-

TEF92081002 Art. No. 259562

Components

Drilled holes	4 x M25
Cable glands and entries	1 x M25 x 1.5
Stopping plugs	3 x M25 x 1.5

Technical Drawings – Subject to Alterations

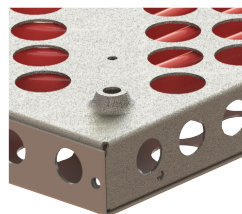


Use a tool to tighten the screws firmly to secure the heater.



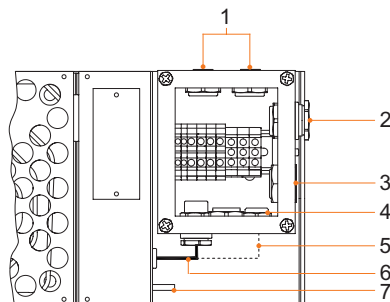
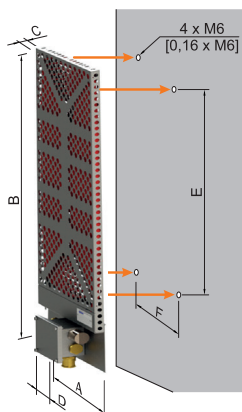
Sandwich design

Insert 4 x M6 screws and washers in the mounting brackets as shown. Use a wrench for tightening the screws firmly.



4 x Ø 6 mm mounting holes on the rear side of the heater

Dimensional Drawings (All Dimensions in mm [inches]) – Subject to Alterations



- 1 Stopping plug M25
 - 2 Power in M25
 - 3 Breather M25
 - 4 Stopping plug M25
 - 5 ¹⁾ 2x cold lead only (for sandwich design)
 - 6 ¹⁾ Cold lead
 - 7 Earth bolt M6 x 10
- ¹⁾ internal cables from heater plate (installed at TRANBERG Factory)

Note! Never install the heater with junction box facing upwards.

Nominal output ¹⁾	Overall dimensions				Mounting dimensions		Weight
	A	B	C	D	E	F	
100 W	240	684	30	80	440	200	4.92 kg
175 W	280	834	30	80	590	240	6.74 kg
300 W	360	1004	30	80	760	320	9.72 kg
600 W	424	1004	80	80	760	397	18.76 kg

¹⁾ **Note:** Nominal output at still air at 0 °C

We reserve the right to make alterations to the technical data, dimensions, weights, designs and products available without notice. The illustrations cannot be considered binding.