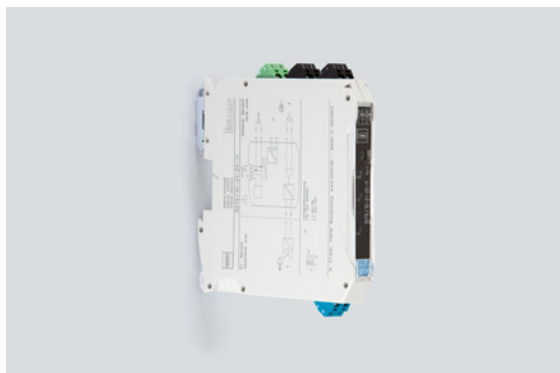


Isolators

Binary output

Ex i field circuit

9275/10-21-25-11s Art. No. 261434



- Slim design saves space – just 12.5 mm wide
- For use up to SIL 3 (IEC/EN 61508)
- A wire breakage and short-circuit monitoring system, which can be disconnected and includes messages

MY R. STAHL 9275A



The Series 9275 digital outputs transmit signals for the intrinsically safe operation of Ex i solenoid valves, indicator lamps and horns. The devices feature three-way galvanic separation.

Technical Data

Explosion Protection

Application range (zones)	2
Ex interface zone	0 1 2 20 21 22
IECEX gas certificate	IECEX IBE 17.0044X
IECEX gas explosion protection	Ex nA [ia Ga] IIC T4 Gc
IECEX dust certificate	IECEX IBE 17.0044X
IECEX dust explosion protection	[Ex ia Da] IIIC
ATEX gas certificate	IBEXU 17 ATEX 1152 X
ATEX gas explosion protection	⊕ II 3 (1) G Ex nA [ia Ga] IIC T4 Gc
ATEX dust certificate	IBEXU 17 ATEX 1152 X
ATEX dust explosion protection	⊕ II (1) D [Ex ia Da] IIIC
cULus certificate	E81680
Marking cULus	Class I, Div. 2, Groups A,B,C,D; Class I, Zone 2, AEx/Ex nA Group IIC AIS Class I,II,III, Div. 1, Groups A,B,C,D,E,F,G; Class I, Zone 0, [AEx ia]/[Ex ia] IIC T4 any mounting pos. Ta = 60°C See Doc. 9275 6 031 001 3
Certificates	ATEX (IBE), Canada (UL), China (CQM), IECEX (IBE), India (PESO), Korea (KTL), SIL (BVS), USA (UL)
Ship approval	DNV
Declaration of Conformity	ATEX (EUK), China (CCC)

Safety Data

Max. voltage U_o	23.98 V
Max. current I_o (Ex ia)	37.4 mA
Max. power P_o	224 mW

Safety Data

Max. permissible external capacity C_o for I	3.33 μ F					
Max. permissible external inductance L_o for I	200 mH					
Max. permissible external capacity C_o for IIC	0.11 μ F					
Max. permissible external capacity C_o for IIB	0.91 μ F					
Max. permissible external capa.IIA	3.33 μ F					
Max. permissible external inductance L_o for IIC	22 mH					
Max. permissible external inductance L_o for IIB	100 mH					
Max. permissible external inductance L_o for IIA	200 mH					
Internal capacitance	11 nF					
Internal inductance	Negligible					
Safety-related max. voltage	253 V AC					
Intrinsically safe limiting values inductance L_o /capacitance C_o	Jointly connectable inductance L_o /capacitance C_o					
IIC	L_o [mH]	20 mH	10 mH	5.000 mH	2 mH	0.500 mH
	C_o [μ F]	0.068 μ F	0.068 μ F	0.068 μ F	0.068 μ F	0.089 μ F
IIB	L_o [mH]	100 mH	20 mH	1 mH	0.100 mH	
	C_o [μ F]	0.300 μ F				
IIA	L_o [mH]	50.000 mH	20.000 mH	1.000 mH	0.500 mH	0.200 mH
	C_o [μ F]	0.670 μ F	0.760 μ F	0.760 μ F	0.830 μ F	0.890 μ F
IIIC	L_o [mH]	100.000 mH	20.000 mH	1.000 mH	0.100 mH	
	C_o [μ F]	0.300 μ F	0.480 μ F	0.510 μ F	0.980 μ F	
I	L_o [mH]	50.000 mH	20.000 mH	1.000 mH	0.500 mH	0.200 mH
	C_o [μ F]	0.670 μ F	0.760 μ F	0.760 μ F	0.830 μ F	0.890 μ F

Functional Safety

SIL	3
HFT	0
SFF	94,82%
Lambda SD	0 FIT
Lambda SU	406 FIT
Lambda DD	45,1 FIT
Lambda DU	24,6 FIT
Lambda, total	683 FIT
PFD _{avg} at T _{proof} 1 year	1,08E-04
PFD _{avg} at T _{proof} 2 years	2,16E-04
PFD _{avg} at T _{proof} 5 years	5,41E-04
PFDavg at Tproof 10 years	1,08E-03

Electrical Data

Number of channels	1
LFD relay	Yes

Electrical Data

Short circuit error detec. OFF	< 50 Ω
--------------------------------	---------------

Auxiliary Power

Auxiliary power	24 V DC
Auxiliary power voltage range	19.2 to 30 V
Nominal current	50 mA
Power consumption	1.2 W
Max. power dissipation	0.8 W
Polarity reversal protection	Yes
Operation indication	Green "PWR" LED

Galvanic Isolation

Test voltage as per standard	IEC EN 60079-11
Galvanic separation Ex i output to input	375 V AC peak value
Galvanic separation Ex i output to HE	375 V AC peak value
Galvanic separation Ex i output to FMC	375 V AC peak value
Test voltage as per standard	EN 61010/EN 50178
Fault message contact to auxiliary power	300 V _{eff}
Input to auxiliary power	300 V _{eff}
Fault message contact to input	300 V _{eff}

Input

Input voltage for ON	15 – 30 V
Input voltage for OFF	0 – 5 V
Control current	< 12 mA

Output

Output open-circuit voltage U _a	21.1 V
Max. output current I _{a max}	25.1 mA
Output internal resistance R _i	641 Ω
Switching delay ON/OFF	< 30 ms
Switching delay OFF/ON	< 30 ms
Response time output	< 30 ms
Switching state indication	Yellow "STAT" LED
Fault message contact switching capacity	30 V / 50 mA
LF switch user adjustment	Activated/deactivated
Indication of line fault	Red "LF" LED
Wire breakage error detection	> 10 k Ω
Short circuit error detection	< 50 ohm
Wire breakage error detection OFF	> 10 k Ω
Test current	< 0.6 mA

Ambient Conditions

Ambient temperature	-20 °C ... +60 °C
Ambient temperature	-4 °F ... +140 °F
Storage temperature	-40 °C ... +80 °C
Storage temperature	-40 °F ... +176 °F
Maximum relative humidity	10 to 95%
Use at the height of	< 2000 m

Ambient Conditions

Electromagnetic compatibility	EN 61326-1 For use in industrial areas Immunity according to EN 61000-6-2 Interference radiation according to EN 61000-6-4
-------------------------------	--

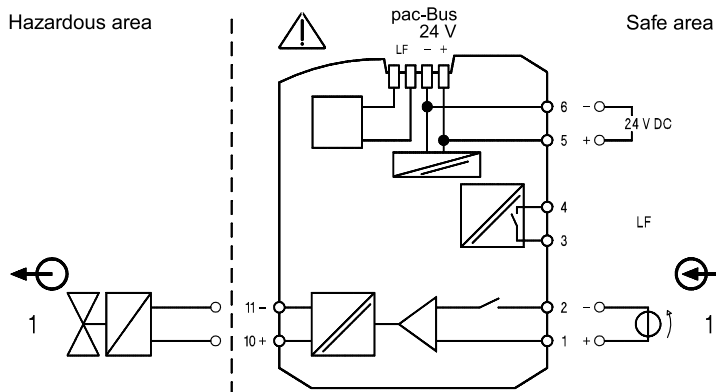
Mechanical Data

Degree of protection (IP)	IP30
Degree of protection (IP) terminals	IP20
Fire resistance (UL 94)	V0
Enclosure material	Polyamide
Grid dimension	12.5 mm
Width	12.5 mm
Width, inches	0.49 in
Height	114.5 mm
Height, inches	4.51 in
Length	112.5 mm
Length, inches	4.43 in
Weight	160 g
Weight	0.35 lb

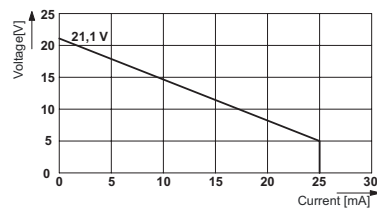
Mounting / Installation

Mounting type	DIN rail NS35/15, NS35/7.5
Mounting orientation	Vertical Horizontal
Connection type	Screw terminal
Min. rigid conductor cross section	0.2 mm ²
Max. rigid conductor cross section	2.5 mm ²
Min. flex conductor cross section	0.2 mm ²
Max. flex conductor cross section	2.5 mm ²
Connection cross-section AWG	24 – 14

Technical Drawings – Subject to Alterations



Connection diagram 9275/10-21-25-11



Output characteristic curve 9275/10-21-25-11

Isolators

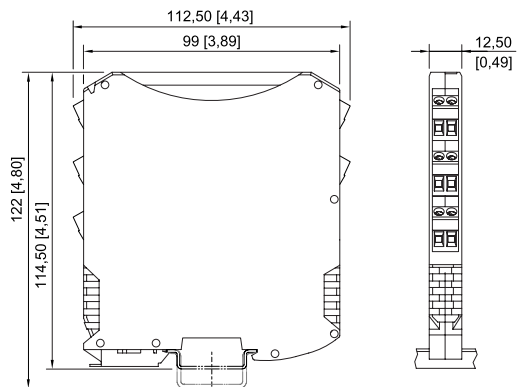
Binary output

Ex i field circuit

9275/10-21-25-11s Art. No. 261434





Dimensional Drawings (All Dimensions in mm [inches]) – Subject to Alterations



ISpac Series 9260, 9265, 9270, 9275, 9276, 9282
with screw terminal

Accessories

Supply module		Art. No.
	Redundant supply of 24 V DC auxiliary power (with fuse) and reading out the collective error message from Series 92xx ISpac modules which support this function. Screw terminal connection	268183
	Redundant supply of 24 V DC auxiliary power (with fuse) and reading out the collective error message from Series 92xx ISpac modules which support this function. Spring clamp terminal connection	268184
pac-Bus		Art. No.
	Wiring auxiliary power and collective error message	262928

We reserve the right to make alterations to the technical data, dimensions, weights, designs and products available without notice. The illustrations cannot be considered binding.