

6141/64-1S Art. No. 273846



- Housing made from non-conductive plastic – ideal for work with or near electricity and electrical equipment
- Uninterrupted operating duration of up to 12 hours – constant light output for entire shifts
- Supplied with rubber strap and neoprene strap – for a comfortable, secure fit
- Adjustable radiation angle – optimum illumination for the specific application at hand
- 100% waterproof – reliable even when used in the rain, in wet conditions or for cleaning tasks
- Supplied in blister pack including batteries

MY R. STAHL 6141G



The 6141/64-1S head torch with ATEX and IECEx certification has been specifically designed for safe use in Zone 1, where it offers reliable performance when you need your hands free and full vision.

With a luminous flux of approximately 120 lumens and a light range of up to 150 metres, it provides powerful illumination for maintenance, inspection or installation tasks – even in the most difficult conditions.

The robust housing made from non-conductive plastic is 100% waterproof and boasts a rubber-coated lamp head with an individually adjustable radiation angle. A rubber-coated switch means that the head torch can be reliably operated with one hand, while the rubber and neoprene straps supplied ensure a secure, comfortable fit.

Technical Data

Explosion Protection

Ex version	Yes
Application range (zones)	1, 2
Certificates	ATEX (BVS), IECEx (BVS)

Electrical Data

Rated operational voltage DC	1.5 V
Outdoor range	150 m
Battery version	4 x AAA

Lighting Data

Number of lamps	1
Lamp wattage	5 W
Lamp	CREE LED XT-E (5 W)
Light colour	5000 K – neutral white
Luminous flux	120 lm
Emergency light duration	~ 12 – 45 h

Ambient Conditions

Ambient temperature	-20 °C ... +40 °C
---------------------	-------------------

Mechanical Data

Degree of protection (IP)	IP68 (3 m, 30 min.)
Enclosure material	Polycarbonate
Enclosure colour	Yellow

6141/64-1S Art. No. 273846

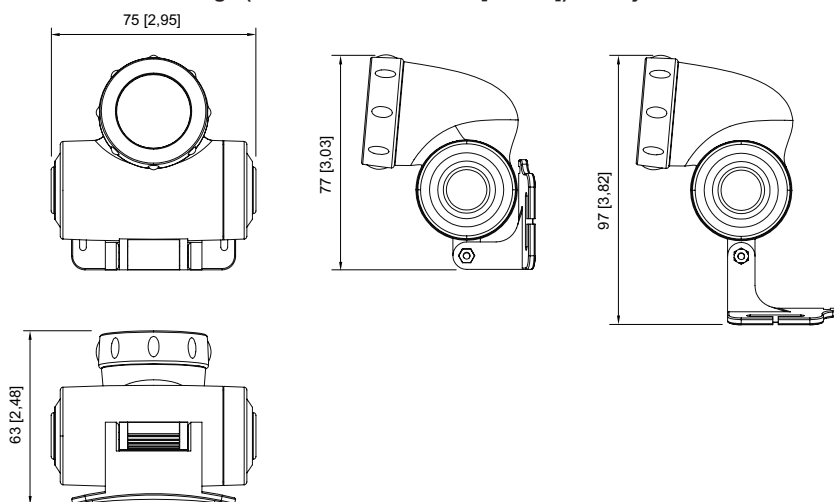
Mechanical Data

Width	70 mm
Height	70 mm
Length	75 mm
Weight	130 g
Weight	0.29 lb

Components

Battery-Version	4 x AAA, maintenance-free, 1.5 V
-----------------	----------------------------------

Dimensional Drawings (All Dimensions in mm [inches]) – Subject to Alterations



We reserve the right to make alterations to the technical data, dimensions, weights, designs and products available without notice. The illustrations cannot be considered binding.