

EC-952-TXP3TV2-34LED-IP-S Art. No. 338355



- PTZ camera with IR LED illuminator, 34° field of view and super-high optical zoom (40x)
- Easy maintenance – innovative modular system
- 230 VAC power supply
- Cleaning wiper, electronic image stabiliser and edge recording
- Wide temperature range: -60 °C ... +60 °C, +75 °C peak

MY R. STAHL EC952A



The EC-952-TXP3TV2-34LED-IP-S PTZ camera is a certified camera station made entirely of electropolished AISI316L stainless steel and specially designed for use in potentially explosive areas. It is equipped with the latest generation of a day/night IP camera, a sun shield, a heater/demister and a windscreen wiper. In addition, a powerful integrated IR LED illuminator enables good quality images even in complete darkness.

The EC-952-TXP3TV2-34LED-IP-S camera uses the latest technologies and is a great video surveillance solution for potentially explosive applications such as oil and gas exploration/production, oil and gas refining/transportation, and installations in the harshest environments both onshore and offshore.

The EC-952-TXP3TV2-34LED-IP-S camera is equipped with a 230 VAC power supply module, offers multi-stream H264/H265/MJPEG encoding, is ONVIF® compliant and compatible with most VMS solutions available on the market.

## Technical Data

General	
Series	PTZ camera with spotlight - EC-952
Version	Pan-tilt-zoom camera
Description	3MP bullet camera
Variant	with IR LED emitter
Explosion Protection	
Application range (zones)	1, 2, 21, 22
Scope	EU (CE / ATEX) Global (IECEx) United Kingdom (UKCA) United Kingdom (UKEX) Brazil (INMETRO) United Arab Emirates (ECAS)
IECEx gas certificate	IECEx EXV 22.0032X
IECEx gas explosion protection	Ex db IIC T6...T5 Gb
IECEx dust certificate	IECEx EXV 22.0032X
IECEx dust explosion protection	Ex tb IIIC T85°C...T100°C Db
ATEX gas certificate	ExVeritas 22ATEX1325X
ATEX gas explosion protection	Ex II 2 G Ex db IIC T6...T5 Gb
ATEX dust certificate	ExVeritas 22ATEX1325X
ATEX dust explosion protection	Ex II 2 D Ex tb IIIC T85°C...T100
UKEX certification	ExVeritas 22UKEX1326X

# Surveillance solutions and cameras

## with IR floodlight 3 MP PTZ



EC-952-TXP3TV2-34LED-IP-S Art. No. 338355

### Explosion Protection

INMETRO certification	CPEX 23.1071 X
ECAS certification	24-11-130192/E24-11-134907/NB0001
UKEX gas explosion protection	⊕ II 2 G Ex db IIC T6/5/4 Gb
UKEX dust explosion protection	⊕ II 2 G Ex tb IIIC T85/100/135°C Db
INMETRO gas explosion protection	Ex db IIC T6...T4 Gb
INMETRO dust explosion protection	Ex tb IIIC T85°C...T135°C Db
EMC Directive	EN 55035; EN/IEC 61000-3-2; EN/IEC 61000-3-3; EN/IEC 61000-6-2; EN/IEC 61000-6-4; CISPR-32; CISPR-35, DNV-CG-0339
RoHS Directive	2011/65/EU + 2015/863/EU (RoHS 3)
WEEE Directive	2012/19/EU
Low-voltage Directive	EN/IEC 62368-1
FCC certification	FCC part 15B

### Electrical Data

Rated operational voltage AC	230 V
Frequency	50/60 Hz
Power consumption	Max. 155 W
Interfaces	TX
Connection	Ethernet LAN 100Base-TX, RJ45
I/O relay	External input
Version	IR LED spotlight 34°, 850 nm

### Camera Data

Sensor	1/2.8" progressive CMOS
Day/night camera	Yes
Resolution	5 MP, 2092x1944 pixels
Zoom	40x optical, 10x digital
Viewing angle	62.6° - 1.9° H, 48.8° - 1.4° V
Number of preset positions	120
Accuracy of preset positions	0.04 °
Min.light. B/W (ICR-ON)	0,002 lx
Minimum illumination color (ICR-OFF)	0.04 lx
Horizontal speed (variable)	0°/s ... 40°/s
Vertical speed (variable)	0°/s ... 20°/s
Frame rate (fps)	60fps (2MP), 30fps (3MP/WDR)
Compression	H.264, H.265, MJPEG
White balance	Yes
Wide Dynamik Range	Yes
Web server	Yes
Streaming	ONVIF Profile S, T, G, M
Special feature	PTZ, IR spotlight, Edge recording,
Analytics	Motion detection / manipulation, intrusion detection, wrong direction, object removal, tampering, loitering, stationary vehicle, object counting
Events	External input, analysis, network failure detection, regular event, manual triggering
Edge Recording	microSD/SDHC/SDXC
Number of streams	4 streams

# Surveillance solutions and cameras

## with IR floodlight 3 MP PTZ



EC-952-TXP3TV2-34LED-IP-S Art. No. 338355

### Software

Network Configuration	IPv4/v6,TCP,RTP,RTSP,HTTP HTTPS, ICMP, FTP, SMTP, PPPoE, UPnP, IGMP, SNMP, QoS, ARP, NTP, DHCP, UDP,
Streaming	ONVIF Profile S, T, G, M

### Ambient Conditions

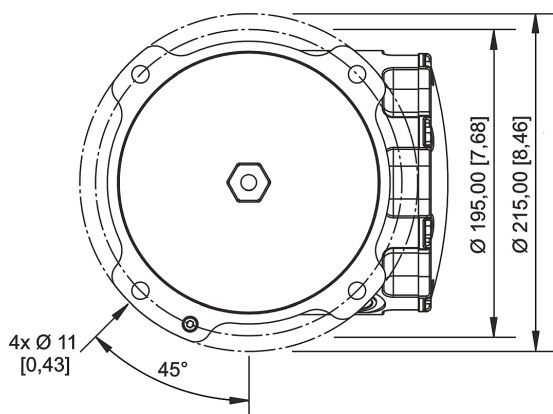
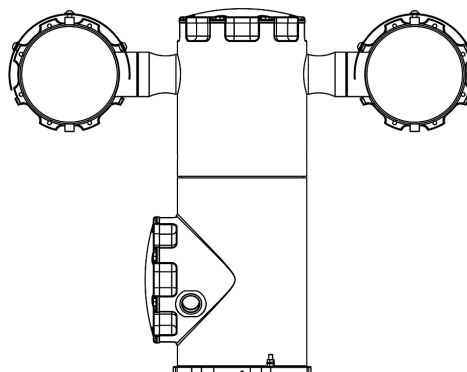
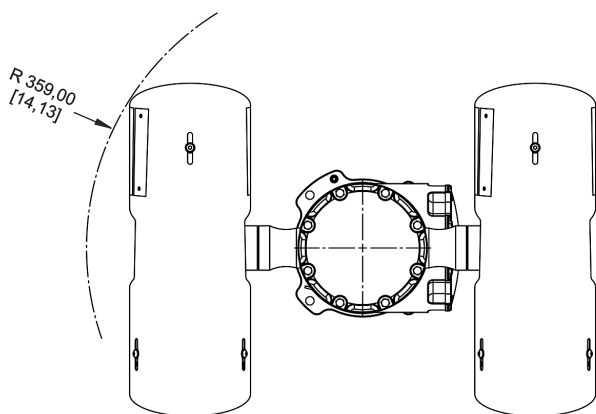
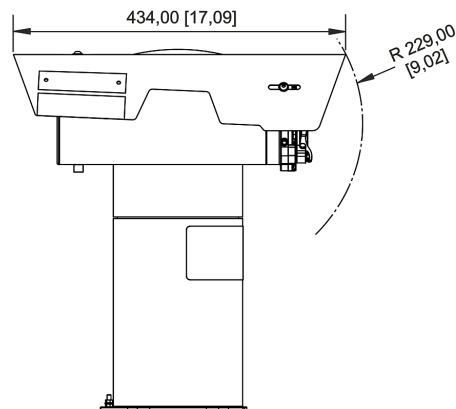
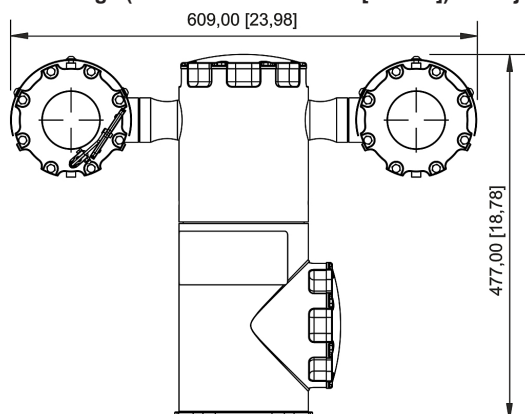
Ambient temperature	-60 – 60 °C
---------------------	-------------

### Mechanical Data

Degree of protection (IP)	IP66, 67, 68, 69
Note on degree of protection	EN 60529, NEMA 4X
IK impact protection	IK10, front panel IK08
Vibration and shock	EN/IEC 60068-2-6; EN/IEC 60068-2-27; DNV-CG-0339
Enclosure material	Stainless steel 316L
Surface treatment	Electropolished
Cable length	0 m
Opening for cable gland	1x M25x1.5
Slewing range	360° endless
Tilt range	-90° ... +90°
Integrated wiper	Yes
Package weight	44 kg
Scope of delivery	Sun roof included
Weight	39 kg
Weight	85.98 lb

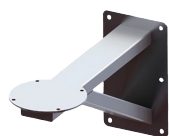
EC-952-TXP3TV2-34LED-IP-S Art. No. 338355

Dimensional Drawings (All Dimensions in mm [inches]) – Subject to Alterations



## Accessories

### Wall mount adapter





#### WB-EC-942-SSBK-L

Wall mount adapter for EC-942, EC-952, IC-942  
Material: 316L stainless steel (1.4404)  
Weight: 10 kg

### Art. No.

338901

Multi-cable		Art. No.
	<p><b>VB-CAM-EC-942-5m-EXACCTF5-B</b> Armoured multi-cable for EC-942 and EC-952 series Length 5 m Cables for power supply, Ethernet and data Suitable for highly corrosive environments Resistant to flames, UV and ozone, oil, petrol and hydrocarbons Pre-assembled pressure-resistant brass cable glands at both ends Temperature range -40 °C to +90 °C (-40 °F to +194 °F) Can be used with terminal box 265668</p>	339157
	<p><b>VB-CAM-EC-942-5m-EXACCTF5-B</b> Armoured multi-cable for EC-942 and EC-952 series Length 5 m Cables for power supply, Ethernet and data Suitable for highly corrosive environments Resistant to flames, UV and ozone, oil, petrol and hydrocarbons Pre-assembled pressure-resistant brass cable glands at both ends Temperature range -40 °C to +90 °C (-40 °F to +194 °F) Can be used with terminal box 265668</p>	339157
	<p><b>VB-CAM-EC-942-10m-EXACCTF10-B</b> Armoured multi-cable for EC-942 and EC-952 series Length 10 m Cables for power supply, Ethernet and data Suitable for highly corrosive environments Resistant to flames, UV and ozone, oil, petrol and hydrocarbons Pre-assembled pressure-resistant brass cable glands at both ends Temperature range -40 °C to +90 °C (-40 °F to +194 °F) Can be used with terminal box 265668</p>	340381
	<p><b>VB-CAM-EC-942-10m-EXACCTF10-B</b> Armoured multi-cable for EC-942 and EC-952 series Length 10 m Cables for power supply, Ethernet and data Suitable for highly corrosive environments Resistant to flames, UV and ozone, oil, petrol and hydrocarbons Pre-assembled pressure-resistant brass cable glands at both ends Temperature range -40 °C to +90 °C (-40 °F to +194 °F) Can be used with terminal box 265668</p>	340381
<b>Ex e Terminal box</b>		<b>Art. No.</b>
	<p><b>JCT-8146-Ethernet+Analog 5xcable glands</b> Terminal box, polyester resin Version for ethernet Tx or analog cameras Dimensions without cable glands (HxWxD): 340.5 mm x 340.5 mm x 91 mm Ingress protection: IP66 equipped with: 5 x cable glands: 2 x CMP-25SC2KVAR KLE MsNi M25x1.5 1 x 8161/7-M25-1707 with red stopping plug 2 x 8161/7-M20-1304 with red stopping plug</p>	265668

EC-952-TXP3TV2-34LED-IP-S Art. No. 338355

**Terminal Box**

**Art. No.**



**JCT-EC-9x2-FO-BOX-SM**

Terminal box, type 8146  
consisting of:  
Terminal blocks:  
-XH1  
1x 283117 STX mounting rail distributor with 6xLC duplex (single mode)  
-XD2  
4x PT-2.5 grey (labelling: 1 – 4)  
1x PT-2.5 green-yellow (labelling: PE)  
-XD1  
2x PT-2.5 grey (labelling: L, L)  
2x PT-2.5 blue (labelling: N, N)  
2x PT-2.5 green/yellow (labelling: PE, PE)  
Cable entries (clamping range) (use):  
1x CMP-20S-C2K (9.5 ... 15.9 mm) (fibre optic)  
1x CMP-25S-C2K (14 ... 22 mm) (water tank)  
1x CMP-20S-C2K (9.5 ... 15.9 mm) (power supply)  
1x CMP-25C2KVAR (18.2 ... 26.2 mm) (Camera multi-cable)  
Cable entries, included separately:  
2x 8161-M20 with red blind plugs  
2x 8161-M25 with red blind plugs  
Housing material: Polyester resin  
Ambient temperature, operation: -40°C ... +65°C  
IP protection: IP66  
Use (zone): 1/21, 2/22  
Scope of validity: ATEX/IECEX

344919

**Watertank**

**Art. No.**



339164

We reserve the right to make alterations to the technical data, dimensions, weights, designs and products available without notice. The illustrations cannot be considered binding.