



- Supplies with neoprene gasket, two pressure rings
- For reliable seal, use pressure ring according to cable diameter

MY R. STAHL T71xxA



TRANBERG cable glands have been manufactured at our factory in Stavanger for several decades. Our heavy duty series of cable glands are preferred for many projects. We are the Norwegian market leader for selected cable glands.

Technical Data

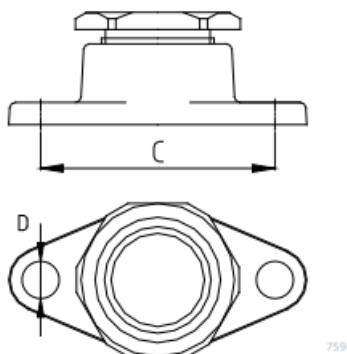
Explosion Protection

| | |
|------------|----|
| Ex version | No |
|------------|----|

Mechanical Data

| | |
|------------------|------------------------|
| Strain relief | No |
| Silicone-free | No |
| Halogen-free | No |
| Number of cables | 1 |
| Armouring type | Unarmoured cable types |
| Dimension D | 10 mm |
| Thread size | BSPP2-1/2 |
| Lot size | 1 |
| Weight | 900 g |

Dimensional Drawings (All Dimensions in mm [inches]) – Subject to Alterations



We reserve the right to make alterations to the technical data, dimensions, weights, designs and products available without notice. The illustrations cannot be considered binding.