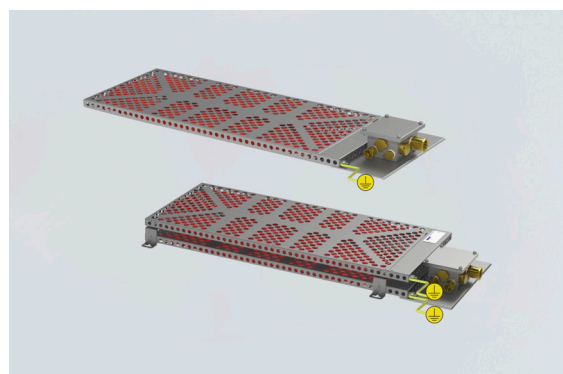


TEF92098006 Art. No. 262987



- Low profile, easy to fit inside cabinets
- Self-regulating heating element. Prevents overheating
- Rugged AISI 316L, acid steel construction
- Low maintenance
- For use inside equipment enclosures and cabinets to prevent condensation and provide climatic control
- Frost protection

**MY R. STAHL T9209B**



Globally approved Ex e, self regulating enclosure heater. AISI 316L acid resistant steel enclosure and junction box. Junction box for electrical connections. Delivered with power output from 100 W up to 600 W at 0 °C.

## Technical Data

### Explosion Protection

Application range (zones)	1, 2
IECEX gas certificate	IECEX NEM 11.0005X
IECEX gas explosion protection	Ex e IIC T4 Gb
ATEX gas certificate	NEMKO 11ATEX1098X
ATEX gas explosion protection	Ex II 2 G Ex e IIC T4 Gb

### Electrical Data

Rated operational voltage AC	120 V
Power	600 W
Frequency range	50 – 60 Hz

### Ambient Conditions

Ambient temperature	-50 °C ... +50 °C (live)
Storage temperature	-50 °C ... +80 °C

### Mechanical Data

Version	Sandwich design
Degree of protection (IP)	IP66
Degree of protection note	For use in enclosures
Enclosure material	Stainless steel 1.4404
Max. connection cross section, solid	4 mm <sup>2</sup>
Max. connection cross-section, finely stranded	2,5 mm <sup>2</sup>
Cable length	0 m
Dimension A	424 mm
Dimension B	1004 mm
Dimension C	80 mm
Dimension D	80 mm
Dimension E	760 mm
Dimension F	397 mm
Weight	18 kg

TEF92098006 Art. No. 262987

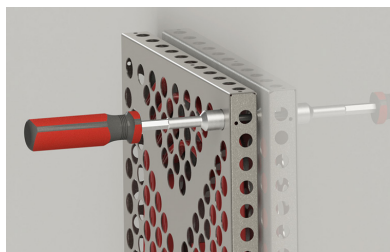
### Mechanical Data

Weight	39.68 lb
--------	----------

### Components

Drilled holes	4 x M25
Cable glands and entries	1 x M25 x 1.5
Stopping plugs	3 x M25 x 1.5

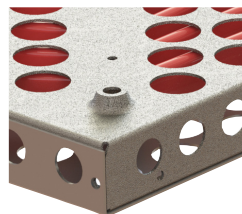
### Technical Drawings – Subject to Alterations



Use a tool to tighten the screws firmly to secure the heater.

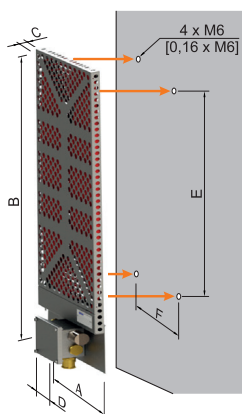


**Sandwich design**  
Insert 4 x M6 screws and washers in the mounting brackets as shown. Use a wrench for tightening the screws firmly.

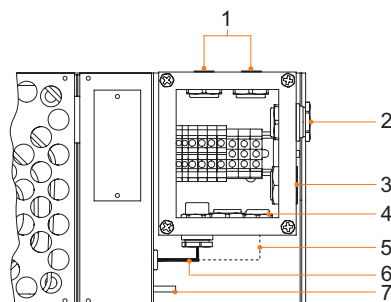


4 x Ø 6 mm mounting holes on the rear side of the heater

### Dimensional Drawings (All Dimensions in mm [inches]) – Subject to Alterations



**Note!** Never install the heater with junction box facing upwards.



- 1 Stopping plug M25
  - 2 Power in M25
  - 3 Breather M25
  - 4 Stopping plug M25
  - 5 <sup>1)</sup> 2x cold lead only (for sandwich design)
  - 6 <sup>1)</sup> Cold lead
  - 7 Earth bolt M6 x 10
- <sup>1)</sup> internal cables from heater plate (installed at TRANBERG Factory)

Nominal output <sup>1)</sup>	Overall dimensions				Mounting dimensions		Weight
	A	B	C	D	E	F	
100 W	240	684	30	80	440	200	4.92 kg
175 W	280	834	30	80	590	240	6.74 kg
300 W	360	1004	30	80	760	320	9.72 kg
600 W	424	1004	80	80	760	397	18.76 kg

<sup>1)</sup> **Note:** Nominal output at still air at 0 °C

We reserve the right to make alterations to the technical data, dimensions, weights, designs and products available without notice. The illustrations cannot be considered binding.