

- Control of 5 output circuits. Option for up to 8 output circuits.
- Illuminated push buttons with indicator light.
- Custom specific button text.

MY R. STAHL T4500901A



Ex remote control panel for use in combination with Tranberg “Commander” control cabinet, part no. 4500203.

Technical Data

Explosion Protection

Application range (zones)	1, 2
IECEX gas certificate	IECEX PRE 14.0001
IECEX gas certificate	IECEX PRE 14.0001
IECEX gas explosion protection	Ex db eb IIC T4 Gb
ATEX gas certificate	Presafe 14ATEX4124
ATEX gas explosion protection	⊕ II 2 G Ex db eb IIC T4 Gb
Certificates	ATEX (PRE)
Notes	Product label may vary. Series devices are labelled with ATEX and IECEX.

Electrical Data

Rated operational current	3 A
---------------------------	-----

Ambient Conditions

Ambient temperature	-20 °C ... +45 °C
---------------------	-------------------

Mechanical Data

Degree of protection IP (IEC 60529)	IP66
Enclosure material	Stainless steel 1.4404, (AISI 316L), brush finished
Silicone-free	No
Cover fixing type	with screws
Width	235 mm
Width, inches	9.251 in
Height	353 mm
Height in inches	13.8976 in
Depth	126 mm
Depth in inches	4.96 in
Weight	3.2 kg

Components

Actuator 1	6 x Calotte All colours
Actuator 2	3 x Stopping plug

Control panel

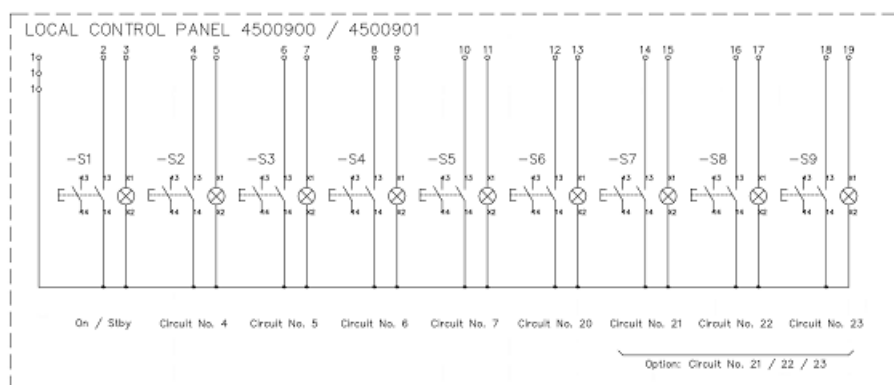
5 output circuits + IMT circle and H

TEF4500901 Art. No. 241935

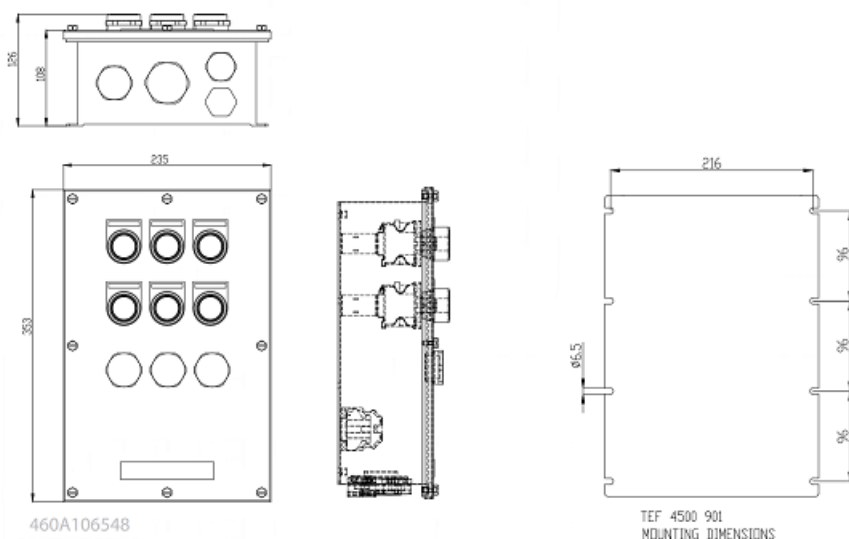
Components

Built-in unit 1	6 x LED-illuminated pushbutton NO + LED + NO
Flange and plates	Without flange
Entry 1	1 x Stopping plug M25
Entry 2	1 x Stopping plug M32
Entry 3	1 x Stopping plug M40
Entry 4	1 x Breather M25
Type of terminals 1	21 x UT2.5 2-conductor, 2.5 mm ² , grey
Type of terminals PE 1	2 x UT2.5-PE 2-conductor, 2.5 mm ² , green-yellow

Technical Drawings – Subject to Alterations



Dimensional Drawings (All Dimensions in mm [inches]) – Subject to Alterations



Control panel

5 output circuits + IMT circle and H

TEF4500901 Art. No. 241935

We reserve the right to make alterations to the technical data, dimensions, weights, designs and products available without notice. The illustrations cannot be considered binding.