



- DIN rail mounting.
- Built-in snubber network which allows termination of a wide range of communication cable, 100-250 Ohm characteristic impedance. End resistors shall not be used.

MY R. STAHL T4500D



The Commander Utility is a general purpose control system designed by Tranberg for maritime applications. The system may include up to 7 control panels and up to 21 output modules, all connected to a industry-proven and robust twisted pair RS-485 network. The network cable may be hundreds of meters long, enabling the localization of the output modules and the power relays in a remote location.

An innovative and unique system architecture allows multiple identical panels on the network, which enables the users to turn on and off a specific output on different panels. The panels are backlit, dimmable and the Lexan front with text may be delivered with customerspecific text. The system includes a continuous integrity-check with alarm in case of a non-responding (defective) module or a common alarm, such as a ground fault or missing power for the outputs. Alarm reset may be done by pressing the Alarm Acknowledge button on the panel or by providing a 24VDC impulse to the Alarm Reset input on the first output module in the network.

The Commander Utility system may also be connected to an external control system by using a gateway. The gateway will continuously send out status messages of all outputs, while also receive control commands that will turn on or off the various outputs. It is also possible to turn on or off an entire system, send an Alarm Acknowledge signal from the control system, and change the back-light intensity level of the panels.

Technical Data

Electrical Data

DC rated operational voltage	18 ... 32 V
DC supply voltage	24 V
Number of RS-485 interfaces	2

Auxiliary Power

Auxiliary pwr nom. voltage DC	24 V
-------------------------------	------

Output

Note on behaviour of output	RS-422 38,4 bits/sec
-----------------------------	----------------------

Diagnostics

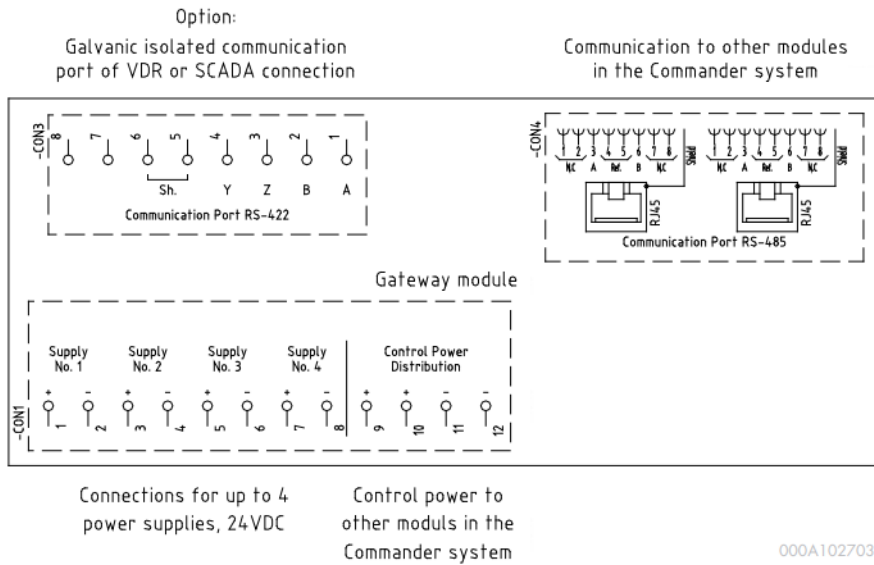
Communication	RS-485
---------------	--------

Mechanical Data

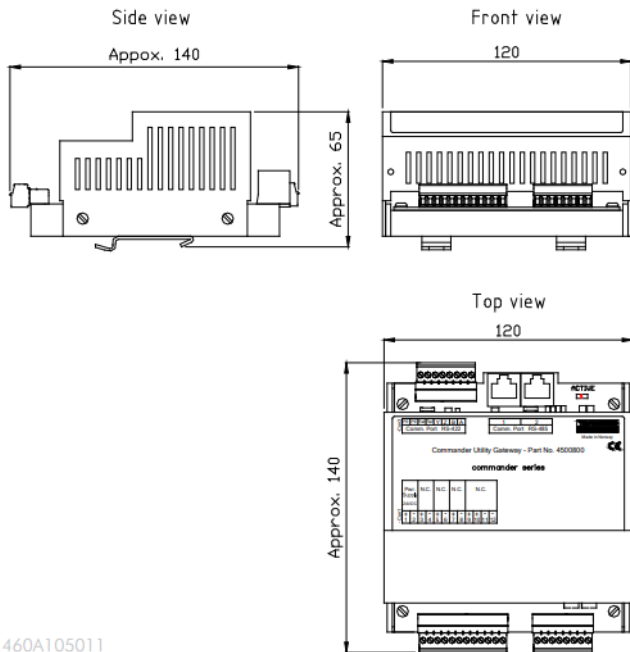
Degree of protection (IP)	IP20
Number of buttons	0
Weight	-

Utility commander Gateway module VDR/SCADA interface galvanically insulated TEF4500800 Art. No. 266997

Technical Drawings – Subject to Alterations



Dimensional Drawings (All Dimensions in mm [inches]) – Subject to Alterations



We reserve the right to make alterations to the technical data, dimensions, weights, designs and products available without notice. The illustrations cannot be considered binding.