



- Compact dimensions
- Robust design
- Ease of operation
- Redundant power supply with auxiliary power

MY R. STAHL



The Series 9295 pac-Carriers are used for easy and convenient integration of Series 92xx ISpac isolators in automation systems using prefabricated system cables. Either plug connectors or terminal blocks are used for the connection to the automation systems.

The pac-Carrier is completed by Series 92xx ISpac devices. Depending on the version, the pac-Carrier variants are equipped with 8 or 16 devices. This means that a single pac-Carrier can cover up to 32 channels when two-channel devices are used.

The different variants in the series are either tailored to an I/O assembly of an automation system or cover various applications as a universal version.

Technical Data

Explosion Protection

Application range (zones)	2
IECEX gas certificate	IECEX BVS 10.0042 X
IECEX gas explosion protection	Ex ec nC IIC T4 Gc
ATEX gas certificate	BVS 03 ATEX E 213 X
ATEX gas explosion protection	Ex II 3 G Ex ec nC IIC T4 Gc
Certificates	ATEX (BVS), IECEX (BVS), SIL (exida)
Declaration of conformity	ATEX (EUK)

Electrical Data

Type of signal	DI, DO, AI, AO
I/O type	Universal
Number of channels	16
HART-multiplexer connection	No

Auxiliary Power

Auxiliary power	24 V DC
Redundant supply	Yes, diode-decoupled
Nominal voltage	24 V DC
Min. nominal DC voltage	19.2 V
Max. nominal DC voltage	30 V
Undervoltage detection, typ.	16 V
Residual ripple	< 3.26 V _{ss}
Nominal current	100 mA
Power dissipation	2.4 W
Note	Nominal current and power dissipation: The data relates to the pac-Carrier and does not take the ISpac modules into account.

Isolators

pac-Carrier

ISpac

9295/12A1-FX1-01U1 Art. No. 323017



Auxiliary Power

Polarity reversal protection	Yes
Operation indication	2 green LEDs "PWR1", "PWR2"
Exchangeable fuse	Yes

Output

Fault message contact switching capacity	35 V/ 100 mA
Note on collec. error message	Resistive load, SELV
Display error	Red "ERR" LED

Field Device Interface

Max. number of channels	16
ISpac module channels	single- or dual-channel
Ex i interface connection	Screw term., push-in terminal

Device Specific Data

Application	Universal
Signal connection to PLC/DCS	Sub-D 37, socket
2nd signal connect. to PLC/DCS	No

Terminal assignment

ISpac module		pac-Carrier		
Channel #	Pin (Non-I.S.)	Slot #	Channel #	Pin (Sub-D37)
1	1	1	1	36
	2			35
2	3	1	2	28
	4			27
1	1	2	3	17
	2			16
2	3	2	4	9
	4			8
1	1	3	5	34
	2			33
2	3	3	6	7
	4			6
1	1	4	7	15
	2			14
2	3	4	8	26
	4			25
1	1	5	9	32
	2			31
2	3	5	10	5
	4			4
1	1	6	11	13
	2			12
2	3	6	12	23
	4			22
1	1	7	13	30
	2			29
2	3	7	14	3
	4			2
1	1	8	15	11
	2			10
2	3	8	16	21
	4			20

Terminal assignment of the individual ISpac module, see data sheet of the ISpac module

Ambient Conditions

Ambient temperature	-25°C ... +50 °C
Ambient temperature	-13°F ... +122°F
Storage temperature	-30°C ... +70°C
Storage temperature	-22°F ... +158°F
Maximum relative humidity	95%
Use at the height of	< 2000 m
Degree of pollution	2
Overvoltage category	II
Electromagnetic compatibility	Tested according to the following standards and regulations: EN 61326-1 For use in industrial areas; NAMUR NE 21

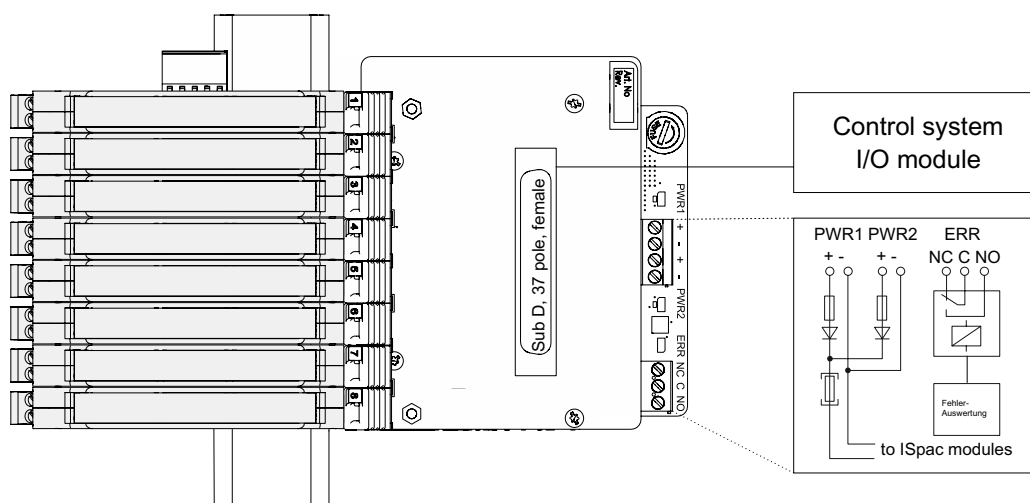
Mechanical Data

Fire resistance (UL 94)	V0
Enclosure material	Polyamide
Number of slots	8
Min. rigid conductor cross section auxiliary power	0.2 mm ²
Max. rigid conductor cross section auxiliary power	2.5 mm ²
Min. flexible conductor cross section auxiliary power	0.25 mm ²
Max. flexible conductor cross section auxiliary power	2.5 mm ²
Min. rigid conductor cross section	0.5 mm ²
Max. rigid conductor cross section	2.5 mm ²
Min. flexible conductor cross section	0.25 mm ²
Max. flexible conductor cross section	1.5 mm ²
Width	176.5 mm
Width, inches	4.6 in
Height	146 mm
Height in inches	5.75 in
Length	117 mm
Length in inches	6.95 in
Weight	600 g

Mounting / Installation

Mounting type	DIN rail or mounting plate
Grid dimension	12.5 mm
Connection type	Screw terminal

Technical Drawings – Subject to Alterations



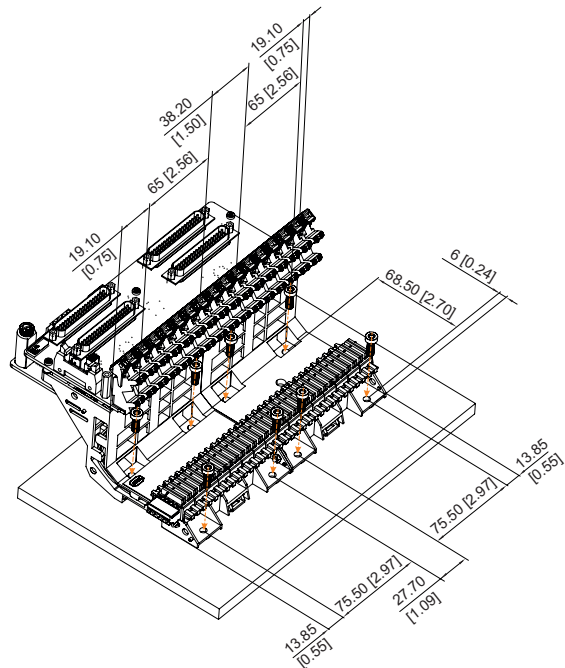
Connection diagram 9295/12A1-FX1-01U1

Isolators

pac-Carrier

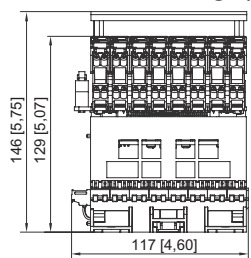
ISpac

9295/12A1-FX1-01U1 Art. No. 323017

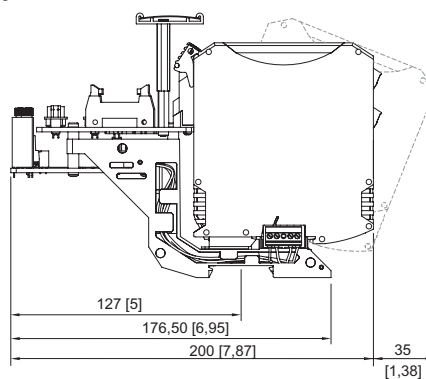
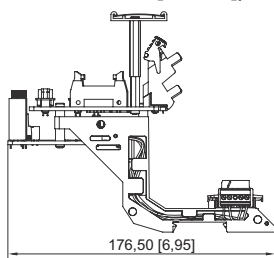


Wall mounting 9295/12A1-FX1-01U1, 9295/12H2-XX0-08A5

Dimensional Drawings (All Dimensions in mm [inches]) – Subject to Alterations



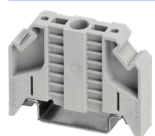
pac-Carrier 8 slots



pac-carrier with ISpac modules

Accessories

End clamp set for DIN rail



The end clamp prevents the pac-Carrier moving on the DIN rail. The stipulated use is mounting on a vertical DIN rail.

Art. No.

323845

Labelling set for 9295, 8-slot variant

The set offers the option to add labelling for the channels or modules on the pac-Carrier. Refer to the operating instructions for information on how to mount it.

Art. No.

299666

Isolators

pac-Carrier

ISpac

9295/12A1-FX1-01U1 Art. No. 323017



Set for elevated mounting

Art. No.



The Series 9295 pac-Carriers are generally mounted on an NS35/15 DIN rail. If the installation situation does not permit direct mounting on the DIN rail, the mounting set can be used to mount the pac-Carrier in an elevated position. Elevated mounting enables better use to be made of the cabinet floor space and improves the air circulation around the isolators. The mounting set can be used for DIN rails installed either horizontally or vertically. The mounting set makes it possible to raise the 9295 pac-Carrier by 52 mm compared to direct mounting on the DIN rail.

319061

Spare Parts

Art. No.



Spare for the fuse of the 9295 pac-Carrier.

111611

We reserve the right to make alterations to the technical data, dimensions, weights, designs and products available without notice. The illustrations cannot be considered binding.