

TEF4905100 Art. No. 332492



- Backlit text and graphics with dimming control
- Audible and visual alarms
- Main and spare lanterns in same buttons
- Function keys which automatically turns on and off outputs
- Custom made graphics and text

MY R. STAHL T4900B



The operator panels for TEF 4900 Commander are very flexible in sizes and configurations. The panels are custom built and allow for use of text in several languages as well as graphics, such as small frames, etc. With a dimmable backlight these are easy to read in daylight as well as at night. Several panels may be connected to the same network, more typical with non-critical applications. Main and spare lanterns are handled in the same button, which simplifies and enhances safety. Automatic change over to spare lanterns with full alert tracing. Depending on how long the button is pressed, either the main or the backup navigation light is switched on. Special function buttons may be set up to automatically turn on and off lanterns with one single button, such as sailing lanterns on and anchor lanterns off. Alerts are provided with flashing LED's as well as a buzzer for audible alarms.

**Applications:**

Complete control and monitoring of several types of critical lights on vessels:

- Navigation lights
- Signal lights
- Suez lights
- ROV lights
- Towing lights
- Etc.

**Technical Data**

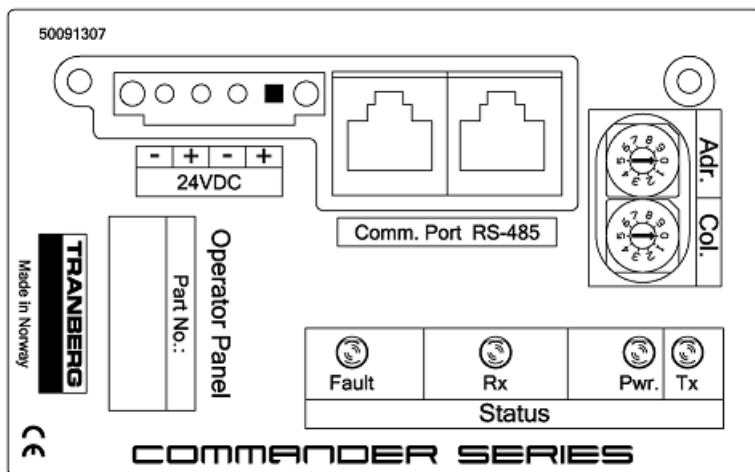
<b>Electrical Data</b>	
DC supply voltage	24 V
Power consumption	7.2 W
Number of RS-485 interfaces	2
<b>Auxiliary Power</b>	
Auxiliary pwr nom. voltage DC	24 V
<b>Diagnostics</b>	
Communication	RS-485
<b>Display</b>	
Backlight	Dimmable LED
<b>Mechanical Data</b>	
Degree of protection (IP)	IP22
Enclosure material	Aluminium
Number of buttons	49
Size	5

TEF4905100 Art. No. 332492

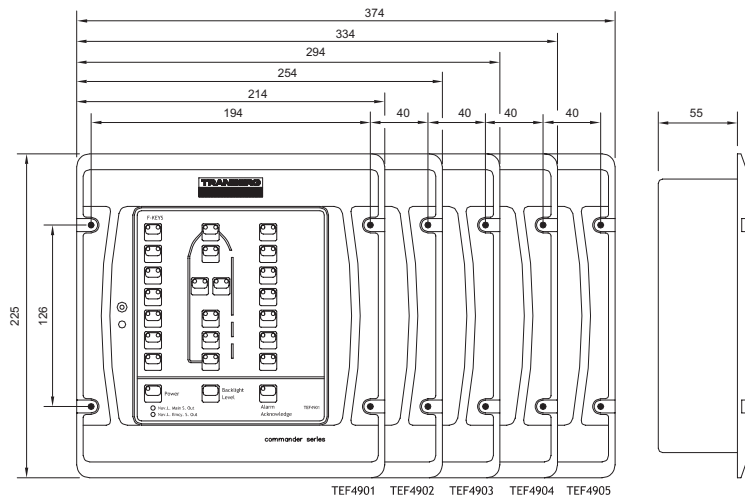
**Mechanical Data**

Mounting cut-out width	340 mm
Mounting cut-out height	205 mm
Weight	-

**Technical Drawings – Subject to Alterations**



**Dimensional Drawings (All Dimensions in mm [inches]) – Subject to Alterations**



**Spare Parts**

**Operator Panel**



TEF4905000 Operator Panel Size 5  
Old Art. No.: 4905000

**Art. No.**

170557

We reserve the right to make alterations to the technical data, dimensions, weights, designs and products available without notice. The illustrations cannot be considered binding.