



- DIN rail mounting.
- 4 individual potential free outputs, 1 C/O contacts.
- 8 galvanic isolated digital inputs, 24VDC
- Built-in snubber network which allows termination of a wide range of communication cable, 100-250 Ohm characteristic impedance. End resistors shall not be used.

MY R. STAHL T4900G



4 relay outputs designed for connection of digital actuators, such as electromagnetic valves, contactors and visual indicators, or output signals to an external control system. 8 digital inputs designed for connection of switches, input from external system etc.

Technical Data

Electrical Data

DC rated operational voltage	18 ... 32 V
DC supply voltage	24 V
Number of RS-485 interfaces	2
Note on supply voltage	0 ... 240 V AC/DC

Auxiliary Power

Auxiliary pwr nom. voltage DC	24 V
-------------------------------	------

Output

Max. output current	2 A
Note on behaviour of output	No fuses in module

Diagnostics

Communication	RS-485
---------------	--------

Mechanical Data

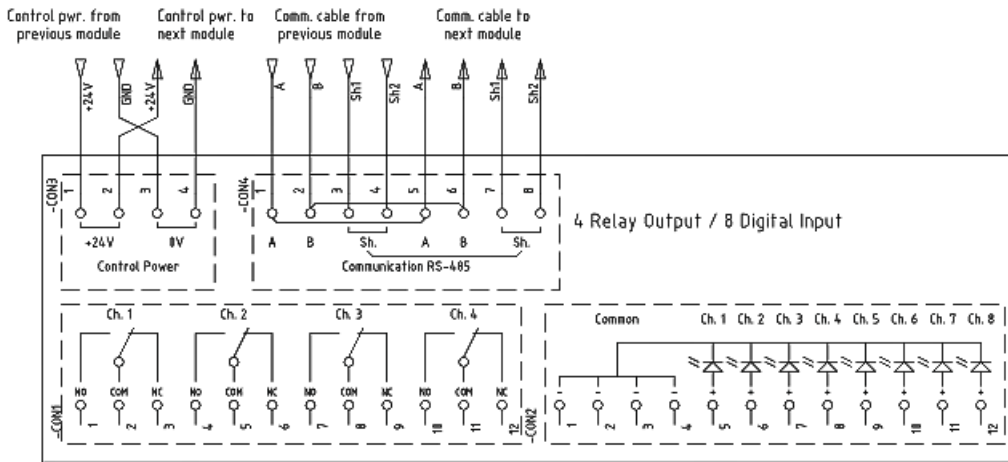
Degree of protection (IP)	IP20
Number of buttons	0
Weight	800 g

Utility commander Relay output module

8 digital inputs 4 relay outputs

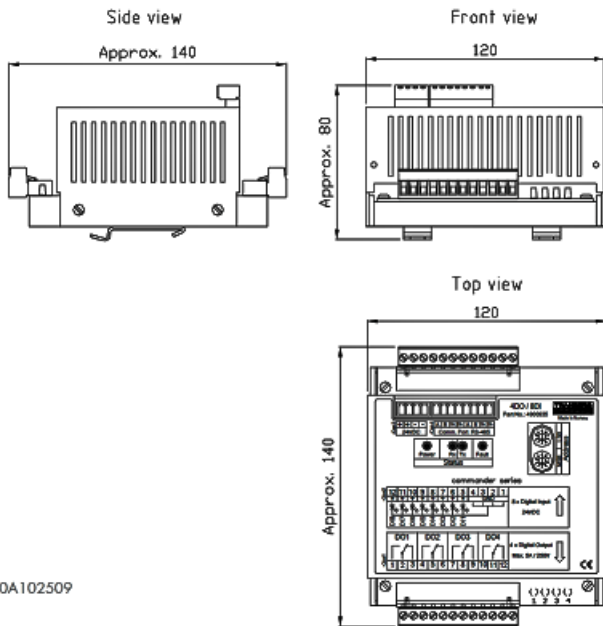
TEF4900935 Art. No. 332703

Technical Drawings – Subject to Alterations



000A102712

Dimensional Drawings (All Dimensions in mm [inches]) – Subject to Alterations



490A102509

We reserve the right to make alterations to the technical data, dimensions, weights, designs and products available without notice. The illustrations cannot be considered binding.