

**TRANBERG Solutions**  
 Searchlight Gateway module  
 VDR/SCADA interface galvanically insulated  
 TEF2618100018 Art. No. 332795



- DIN rail mounting.
- Built-in snubber network which allows termination of a wide range of communication cable, 100-250 Ohm characteristic impedance. End resistors shall not be used.

**MY R. STAHL T2650F**



The Commander Searchlights on a RS-485 network, allowing up to 8 searchlights and 15 control panels. In addition, one Gateway allow for external control and monitoring.

The options of the Gateway and a remote computer for control, is limited to the following:

‘Turn right’ and ‘Turn left’: The searchlight will turn continually until it reaches the respective end position.

Absolute positioning: Send a command containing vertical and/or horizontal position. The searchlight will then move to that particular position.

Turn lights on and off (including ignition).

Adjust focus of light beam.

The Gateway allows control of each individual searchlight (maximum 8), but minimum one control panel must be present in the network arrangement. In addition to transferring commands from a remote computer, the Gateway will continuously transmit absolute positioning of each connected searchlight, including the status of the light (on/off). This allows for very simple monitoring and display on a remote computer system.

The system accuracy is 0.1 degree, but when including the mechanical considerations the repeated accuracy is within 1 degree.

The data transfer as ASCII characters, and based upon a proprietary NMEA-0183 protocol.

**Technical Data**

<b>Electrical Data</b>	
DC rated operational voltage	18 ... 32 V
DC supply voltage	24 V
Number of RS-485 interfaces	2
<b>Auxiliary Power</b>	
Auxiliary pwr nom. voltage DC	24 V
<b>Output</b>	
Note on behaviour of output	RS-422 baud rate 19,2 8N1
<b>Diagnostics</b>	
Communication	RS-485
<b>Mechanical Data</b>	
Degree of protection (IP)	IP20
Number of buttons	0

# TRANBERG Solutions

## Searchlight Gateway module

### VDR/SCADA interface galvanically insulated

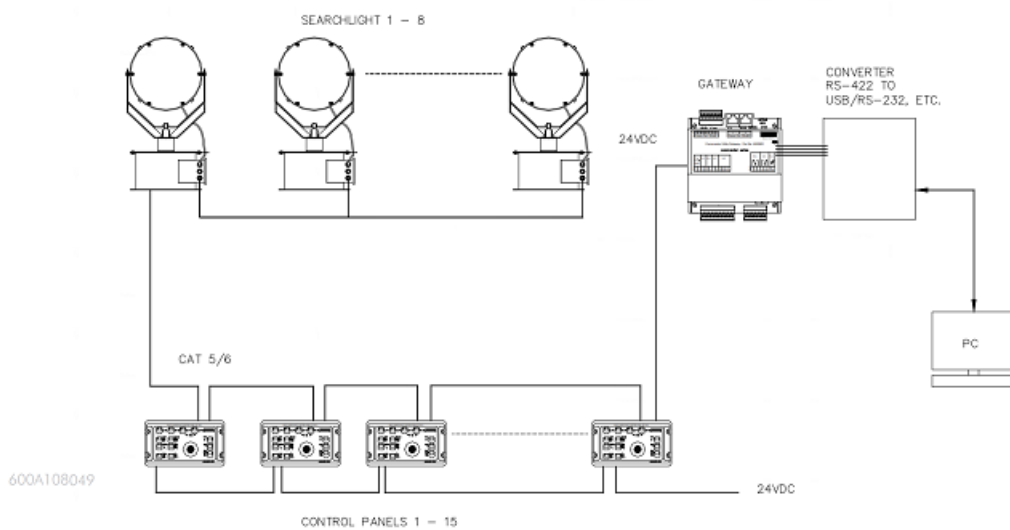
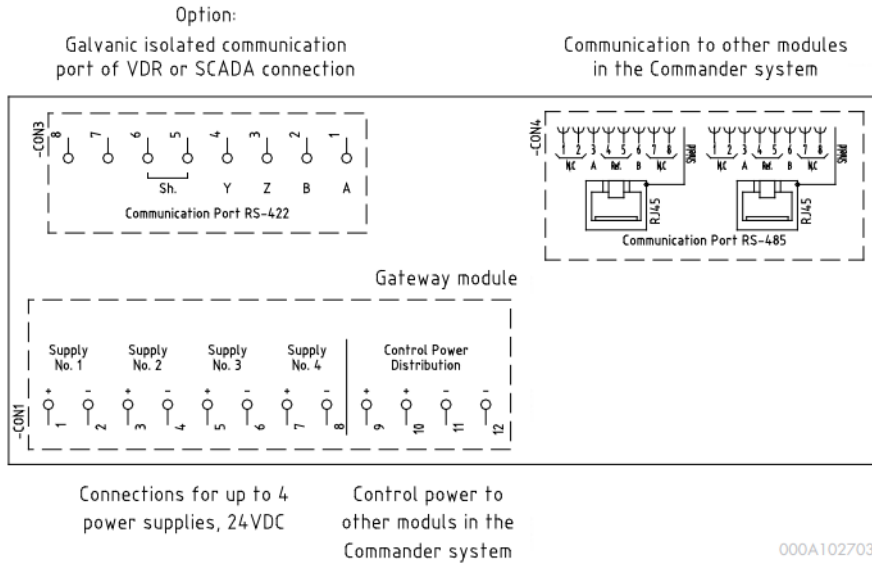
TEF2618100018 Art. No. 332795



#### Mechanical Data

Weight	1 kg
--------	------

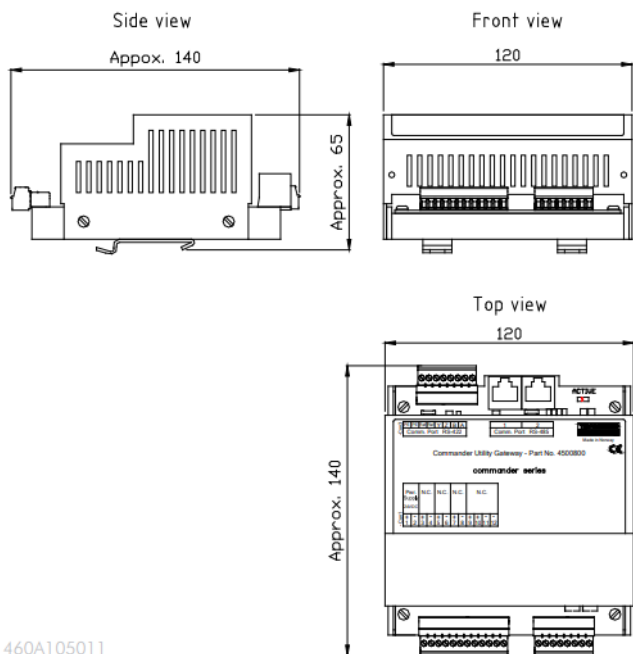
#### Technical Drawings – Subject to Alterations



**TRANBERG Solutions**  
Searchlight Gateway module  
VDR/SCADA interface galvanically insulated  
TEF2618100018 Art. No. 332795



**Dimensional Drawings (All Dimensions in mm [inches]) – Subject to Alterations**



460A105011

We reserve the right to make alterations to the technical data, dimensions, weights, designs and products available without notice. The illustrations cannot be considered binding.