

8060/2-3-TK-60 Art. No. 267974



- Large temperature range of use
- Plastic Ex e enclosure
- Degree of protection IP66/67
- Five different contact versions
- Different actuator versions, which can be displaced by 4 x 90°
- Also applicable as simple apparatus

WebCode **8060B**



Plastic position switch; switch dimensions meet the requirements of DIN EN 50047. It is designed to detect the position of moving components. Certified versions fulfil the requirements for safety switches as set out in EN 13849-1 and have positive-opening contacts in accordance with EN 60947-5-1.

Technical Data

Explosion Protection

| | |
|---------------------------------|---|
| Scope of validity | European Union (ATEX) |
| Application range (zones) | 1 2 21 22 |
| IECEX gas certificate | IECEX BVS 16.0066 |
| IECEX gas explosion protection | Ex db eb IIC T6 Gb |
| IECEX dust certificate | IECEX BVS 16.0066 |
| IECEX dust explosion protection | Ex tb IIIC T80 °C Db |
| ATEX gas certificate | BVS 16 ATEX E 100 |
| ATEX gas explosion protection | ⊕ II 2 G Ex db eb IIC T6 Gb |
| ATEX dust certificate | BVS 16 ATEX E 100 |
| ATEX dust explosion protection | ⊕ II 2 D Ex tb IIIC T80 °C Db |
| Certificates | ATEX (BVS), Canada (CSA), China (CQST), IECEX (BVS), India (PESO), Korea (KGS), USA (CSA) |

Electrical Data

| | |
|--|---|
| Rated operational voltage DC | 125 V |
| AC operating voltage (equal potential) | 400 V |
| AC operating voltage (unequal potential) | 250 V |
| Rated insulation voltage | 500 V |
| Rated insulation voltage note | (for simple apparatus: 40 V) |
| Rated operational current | 2 A 4 A |
| Rated operational current note | (for simple apparatus: 200 mA): inductance L_i and capacitance C_i are negligible |
| Electrical service life | Max. 10 ⁶ operating cycles |
| Mechanical service life | Max. 10 ⁶ operating cycles |
| Rated surge voltage | 6 kV |
| Short-circuit protection, max. | 6 A |

8060/2-3-TK-60 Art. No. 267974

Electrical Data

| | |
|-----------------------------|-------------------------|
| Tripping characteristic | gL/gG |
| Maximum operating frequency | 1800 operating cycles/h |
| Switching function | Slow-action contact |

Ambient Conditions

| | |
|---------------------|--|
| Ambient temperature | -60 °C ... +55 °C (Max. 4 A) -20 °C ... +60 °C (IP67 (EN 60529)) (Max. 2 A) -60 °C ... +60 °C (Max. 2 A) |
|---------------------|--|

Mechanical Data

| | |
|--|-----------------------------------|
| Version | 2nd generation |
| Degree of protection (IP) | IP66 |
| IP degree of protection (IEC 60529) | IP67 |
| Enclosure material | Thermoplast GF, impact resistant |
| Enclosure colour | Black |
| Cover material | Duroplast GF, impact resistant |
| Contact material | Silver-nickel |
| Solid connection cross section | 0.75 – 1.5 mm ² |
| Finely stranded connection cross section | 0.75 – 1.5 mm ² |
| Number of NCs | 2 |
| Positive opening operation | No |
| Positive opening contact note | Not suitable for safety circuits! |
| Actuator | Spring rod head |
| Clamping range | 7 ... 13 mm |
| Type of connection cable | Finely stranded |
| Contacts | 2 NC |
| Seal | Silicone |
| Packaging unit | 1 |
| Weight | 0.1 kg |
| Weight | 0.22 lb |

Mounting / Installation

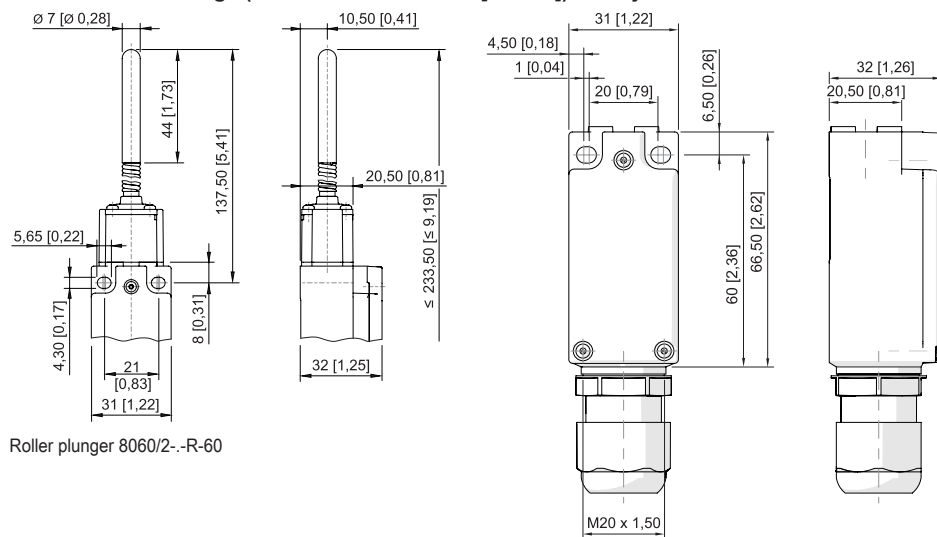
| | |
|------------|----------------------------|
| Connection | Cable entry 8161 1xM20x1.5 |
|------------|----------------------------|

Components

| | |
|--------------------------|-----------------------------------|
| Cable glands and entries | 1 x M20 Ø 7 to 13 mm |
| Material cable gland | Polyamide, Glass fibre reinforced |

8060/2-3-TK-60 Art. No. 267974

Dimensional Drawings (All Dimensions in mm [inches]) – Subject to Alterations



Accessories

Actuator

| | | Art. No. |
|--|-------------------|----------|
| | Angled actuator | 257053 |
| | Straight actuator | 257052 |

Cable gland made of plastic

| | | Art. No. |
|--|--|----------|
| | 8161/7-M20-1307, Ex e Plastic, M20 x 1.5, cable outer diameter 7 to 13 mm Lot size 50 pieces | 239172 |

Spare Parts

Actuator

| | | Art. No. |
|--|--------------------------|----------|
| | Spring rod head actuator | 257060 |

Contact element

| | | Art. No. |
|--|-----------------------------------|----------|
| | 2 NC slow-action contact 8080/1-3 | 132532 |

8060/2-3-TK-60 Art. No. 267974

We reserve the right to make alterations to the technical data, dimensions, weights, designs and products available without notice. The illustrations cannot be considered binding.