

Installation equipment

Maintenance socket 63 A No mechanical locking device

With indicator lamp Maintenance socket

8579/61-506 Art. No. 270919



- The 63 A maintenance sockets of Series 8579 are used for performing maintenance and repair work in hazardous areas in which devices that are not explosion-protected are used
- AC-3 motor switching capacity according to IEC/EN 60947-3
- With information plate: "Do not switch on if there is an explosion hazard"

MY R. STAHL 8579B



R. STAHL Series 8579/61 maintenance sockets are used for repair work with non-Ex devices (according to IEC/EN 60309) in Zones 1, 2, 21 and 22. They offer full AC-3 switching capacity according to IEC/EN 60947-3 up to 63 A. The indicator lamps displaying the operating conditions and the big handle, which can be locked in the zero position to protect against unauthorised use, provide even greater safety.

Technical Data

Explosion Protection

Scope of validity	European Union (ATEX) IECEX
Application range (zones)	1 2 21 22
IECEX gas certificate	IECEX PTB 10.0047X
IECEX gas explosion protection	Ex db eb IIC T6 ... T5 Gb
IECEX dust certificate	IECEX PTB 10.0047X
IECEX dust explosion protection	Ex tb IIIC T60 °C / T75 °C Db
ATEX gas certificate	PTB 02 ATEX 1137 X
ATEX gas explosion protection	⊕ II 2 G Ex db eb IIC T6 ... T5 Gb
ATEX dust certificate	PTB 02 ATEX 1137 X
ATEX dust explosion protection	⊕ II 2 D Ex tb IIIC T60 °C / T75 °C Db
Certificates	ATEX (PTB), China (CQST), IECEX (PTB)
Declaration of Conformity	ATEX (EGK), China (CCC)

Electrical Data

Rated operational voltage	200/346 to 240/415 V AC
Electrical service life	> 2x10 ⁴ switching cycles
Mechanical service life	> 2x10 ⁴ switching cycles
Type of voltage	Low voltage
Auxiliary contacts	1 NC + 1 NO
Frequency range	50 / 60 Hz

Device Specific Data

Back-up fuse with thermal protection	80 A gG
Back-up fuse without thermal protection	63 A gG

Installation equipment

Maintenance socket 63 A No mechanical locking device

With indicator lamp Maintenance socket

8579/61-506 Art. No. 270919



Ambient Conditions

Ambient temperature	-45 °C to +55 °C
Ambient temperature	-49 °F to +131 °F

Mechanical Data

Degree of protection IP (IEC 60529)	IP66
IP degree of protection (IEC 60079)	IP66
Enclosure material	Polyester, Glass fibre reinforced
Silicone-free	No
Multiple conductor connection	2 x 16 mm ²
Multiple conductor connection AWG	2 x AWG 6
Finely stranded connection cross-section	1 x 16 mm ² ... 1 x 50 mm ²
Finely stranded connection cross-section AWG	1 x AWG 6 ... 1 x AWG 1/0
Stranded connection cross-section	1 x 16 mm ² ... 1 x 50 mm ²
Stranded connection cross-section AWG	1 x AWG 6 ... 1 x AWG 1/0
Width	180 mm
Width in inches	7.09 in
Height	212 mm
Height, inches	8.36 in
Length	429 mm
Length, inches	16.88 in
Impact strength (IEC 60079)	7 J
Impact strength (IEC 62262)	IK10
Colour code	Red
Coding (clock hour position)	6
Lockable in	in 0- and I-position
Series	SolConeX
Detailed number of poles	3 P + N + PE
Weight	8.3 kg
Weight	18.3 lb

Mounting / Installation

Connection	Screw terminal
------------	----------------

Components

Entry 1 model	8161/7-M50-3516-LT
Entry 1 type	Polyamide cable gland
Entry 1	M50 x 1.5
Entry 1 terminal area	16 – 35 mm
Entry 1 clamping range, inch	0.63 – 1.38 in
Metal entry possible 1	No
Entry 2 model	8290/3-M25
Entry 2 type	Polyamide stopping plug
Entry 2	M25 x 1.5
Metal entry possible 2	No

Installation equipment

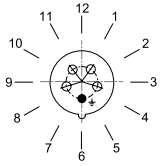


Maintenance socket 63 A No mechanical locking device

With indicator lamp Maintenance socket

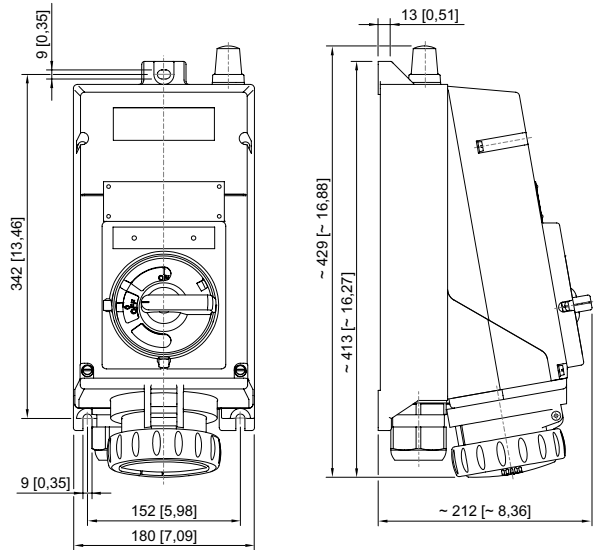
8579/61-506 Art. No. 270919

Technical Drawings – Subject to Alterations



Position of clock hour position
Example: 6 h position

Dimensional Drawings (All Dimensions in mm [inches]) – Subject to Alterations



5-pole maintenance socket

We reserve the right to make alterations to the technical data, dimensions, weights, designs and products available without notice. The illustrations cannot be considered binding.