

8146/5-V73 Art. No. 273441



- Continuous monitoring of correct grounding
- Robust design
- Plastic enclosure (IP66)
- One potential-free change-over contact for signalling to the distributed control system or external signalling devices
- Insulated suspension point

MY R. STAHL 8146H



The grounding monitoring device ensures that tank containers, barrels, road tankers, rail vehicles and IBCs are electrostatically grounded while combustible liquids and powders are being loaded. The device simultaneously monitors electrostatic grounding. This guarantees that an electrostatic charge remains at a safe level and that there is no explosion hazard caused by the uncontrolled discharge of this energy.

Technical Data

Explosion Protection

Application range (zones)	1, 2, 21, 22
Ex interface zone	1, 2, 21, 22
IECEX gas certificate	IECEX PTB 06.0090
IECEX gas explosion protection	Ex db eb [ia Ga] IIC T4 Gb
IECEX dust certificate	IECEX PTB 06.0090
IECEX dust explosion protection	Ex tb [ia Da] IIIC T80 °C Db
ATEX gas certificate	PTB 01 ATEX 1024
ATEX gas explosion protection	Ex II 2 (1) G Ex db eb [ia Ga] IIC T4 Gb
ATEX dust certificate	PTB 01 ATEX 1024
ATEX dust explosion protection	Ex II 2 (1) D Ex tb [ia Da] IIIC T80 °C Db
Certificates	ATEX (PTB), Brazil (ULB), China (NEPSI), IECEX (PTB), India (PESO)
Declaration of conformity	ATEX (EUK), China (CCC)

Safety Data

Max. voltage U_o	9.6 V
Max. current I_o	10 mA
Max. power P_o	24 mW
Max. permissible external capacity C_o for IIC	3.6 μ F
Max. permissible external inductance L_o for IIC	350 mH
Max. permissible external capacity C_o for IIB	26 μ F
Max. permissible external inductance L_o for IIB	1000 mH
Max. permissible external inductance L_o for I	1000 mH
Internal capacitance	2.42 nF

8146/5-V73 Art. No. 273441

Safety Data

Internal inductance	Negligible
Max. safety voltage	253 V

Electrical Data

Number of channels	1
--------------------	---

Auxiliary Power

Auxiliary power	24 V
Nominal voltage DC	18 ... 31.2 V
Nominal current	100 mA
Power consumption	3 W

Output

Limit contact	Change-over contact
Min. output load condition	1 V / 100 µA
Max. output DC load condition	125 V / 1 A
Max. output AC load condition	125 V / 1 A
Output switching capacity	25 W / 50 VA

Ambient Conditions

Ambient temperature	-20 °C ... 55 °C
Ambient temperature	-4 °F ... 131 °F
Storage temperature	-40 °C ... 80 °C
Storage temperature	-40 °F ... 176 °F
Max. operating altitude	2000 m

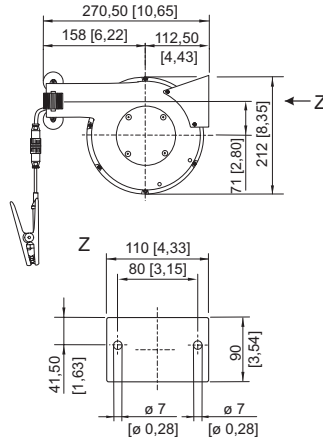
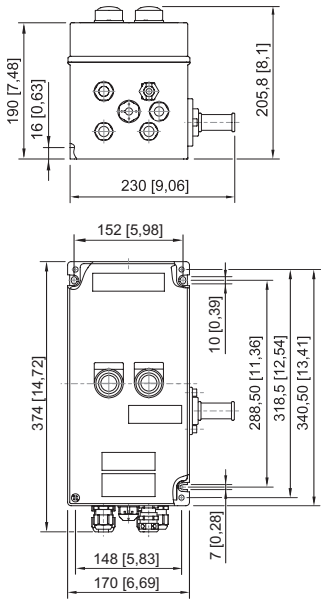
Mechanical Data

Degree of protection (IP)	IP66
Enclosure material	Glass fibre reinforced polyester resin
Silicone-free	No
Clamping range	4 ... 13 mm (of cable glands)
Clamping range inch	0.16 ... 0.51 in (of cable glands)
Width	374 mm
Width, inches	14.72 in
Height	230 mm
Height in inches	9.06 in
Depth	190 mm
Depth in inches	7.48 in
Weight	5.8 kg
Weight	12.79 lb

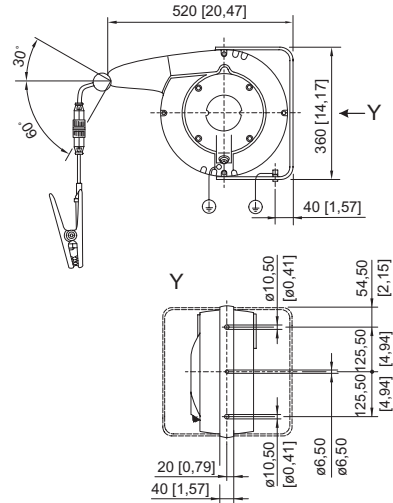
Connection		grey and green-yellow	blue
	Single-wire connection		
	- rigid	0.2 to 6 mm ²	0.2 to 4 mm ²
	- flexible	0.2 to 4 mm ²	0.2 to 2.5 mm ²
	- flexible with core end sleeves with plastic sleeve	0.25 to 2.5 mm ²	0.25 to 1.5 mm ²
	- flexible with core end sleeves without plastic sleeve	0.25 to 4 mm ²	0.25 to 2.5 mm ²

8146/5-V73 Art. No. 273441

Dimensional Drawings (All Dimensions in mm [inches]) – Subject to Alterations

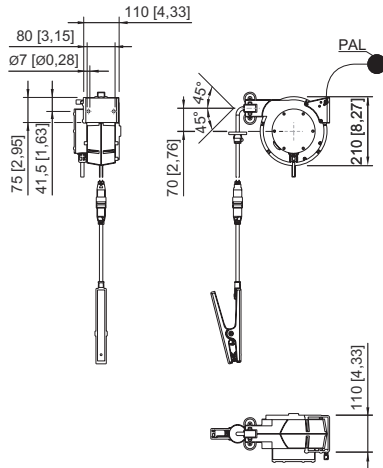


Grounding clamp with automatic retractor for cable
Item no. 247660



Grounding clamp with automatic retractor for cable
Item no. 247671

Type 8146/5075, 8146/5-V73



Grounding clamp with automatic retractor for cable
Item no. 269915

Accessories

Grounding clamp with cable




10 m oil- and petrol-resistant cable with robust, ergonomic grounding clamp made from stainless steel, and fast-action plug
Installation in Zone 1, IIC, T6; Zone 21, IIIC, 135 °C
Temperature range: -40 °C to +70 °C
Certificates: ATEX, IECEx

Art. No.




247673

8146/5-V73 Art. No. 273441

Grounding clamp with spiral cable

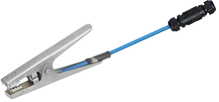
		Art. No.
	10 m oil- and petrol-resistant spiral cable with robust, ergonomic grounding clamp made from stainless steel, and fast-action plug Installation in Zone 1, IIC, T6; Zone 21, IIIC, 135 °C Temperature range: -40 °C to +70 °C Certificates: ATEX, IECEx	247674
	5 m oil- and petrol-resistant spiral cable with robust, ergonomic grounding clamp made from stainless steel, and fast-action plug Installation in Zone 1, IIC, T6; Zone 21, IIIC, 135 °C Temperature range: -40 °C to +70 °C Certificates: ATEX, IECEx	247672

Grounding clamp with automatic retractor for cable

		Art. No.
	Self retracting reel with 20 m oil- and petrol-resistant cable with robust, ergonomic grounding clamp made from stainless steel, and fast-action plug, aluminium enclosure, protected cable duct with stopper Installation in Zone 1, IIC, T6; Zone 21, IIIC, 135 °C Temperature range: -40 °C to +70 °C Degree of protection (IP): IP43 Certificates: ATEX, IECEx	247671
	Self retracting reel with 12 m oil- and petrol-resistant cable with robust, ergonomic grounding clamp made from stainless steel, and fast-action plug, aluminium enclosure, protected cable duct with stopper Installation in Zone 1, IIC, T6; Zone 21, IIIC, 135 °C Temperature range: -40 °C to +70 °C Degree of protection (IP): IP42 Certificates: ATEX, IECEx	269915
	Self retracting reel with 9 m oil- and petrol-resistant cable with robust, ergonomic grounding clamp made from stainless steel, and fast-action plug, plastic enclosure Roofing must be provided when installing the unit outside. Installation in Zone 1, IIC, T6; Zone 21, IIIC, 135 °C Temperature range: -20 °C to +70 °C Degree of protection (IP): IP42 Certificates: ATEX, IECEx	247660

Spare Parts

Grounding clamp with fast-action plug

		Art. No.
	Robust, ergonomic grounding clamp with 150 mm cable and fast-action plug Spare part for self retracting reels (247660, 269915 and 247671), cable and spiral cable	247675

We reserve the right to make alterations to the technical data, dimensions, weights, designs and products available without notice. The illustrations cannot be considered binding.