



- For connecting four intrinsically safe (FISCO/Entity) fieldbus devices in Zone 1 and Class I, Div. 1
- Operated using High Power Trunk concept
- Reduced start-up current thanks to power management and short-circuit limiting with disconnection

09

WebCode 9411C



9411/21 series Ex i field device couplers for installation in Zone 1 and Class I, Div. 2 with galvanic separation can be used for interference-free connection of four FF H1 or PROFIBUS PA field devices on the High Power Trunk. The spurs with type of protection “ia” can be used for fieldbus devices in Zone 1 and Class I, Div. 1 (FISCO, Entity) and are protected by a short-circuit limiting function. The integrated power management minimises start-up and short-circuit currents. Available with screw terminals or spring clamp terminals.

	NEC® 500 CEC Appendix J					
	Class I		Class II		Class III	
Division	1	2	1	2	1	2
Ex interface	•	•	•	•	•	•
Installation in		•		•		•

	CEC Section 18 NEC® 505 NEC® 506					
	Class I					
Zone	0	1	2	20	21	22
Ex interface	•	•	•	•	•	•
Installation in		•	•		•	•

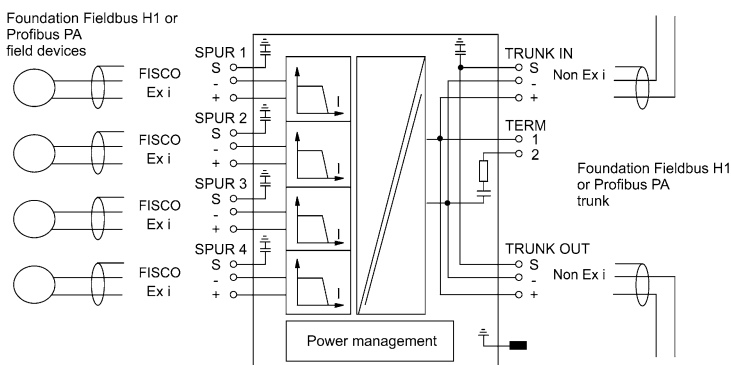
	IECEX / ATEX					
	Zone	0	1	2	20	21
Ex interface	•	•	•	•	•	•
Installation in		•	•		•	•

Selection Table					
Product Description	ISbus fieldbus technology Field device coupler				
Number of channels	Connection type	Product Type	Art. No.	Weight lb	
4	Screw terminal, detachable	9411/21-230-31	206826	1.92	
Field enclosures in polyester or stainless steel: customer specific solutions on request					

Technical Data	
Explosion Protection	
Certificate FMus	3026646
Certificate cFM	3026646C
Marking FMus	NI, Class I, Div. 2, Groups A,B,C,D; AIS, Class I,II,III, Div. 1, Groups A,B,C,D,E,F,G; Class I, Zone 1, AEx m e [ia] IIC; T4 at Ta = 75 °C; See Doc. 9411 6 031 001 1
Marking cFM	NI, Class I, Div. 2, Groups A,B,C,D; AIS, Class I,II,III, Div. 1, Groups A,B,C,D,E,F,G; Class I, Zone 1, Ex m e [ia] IIC; T4 at Ta = 75 °C; See Doc. 9411 6 031 001 1
IECEX gas explosion protection	Ex mb e ib [ia Ga] IIC T4 Gb
IECEX dust explosion protection	[Ex ia Da] IIIC
Certificates	ATEX (BVS), Brazil (ULB), Canada (FM), EAC (Sertium), IECEX (BVS), India (PESO), International (FF), USA (FM)
Auxiliary Power	
Power dissipation max.	1.8 W


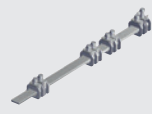

Technical Data	
Auxiliary Power	
Notes	Auxiliary power is not necessary, the field device coupler will be supplied by the trunk
Input	
Voltage range Trunk	16 – 32 V
Output	
Output current	0 mA ... 41 mA; per spur
Output voltage	Min. 10 V at 41 mA
Ambient Conditions	
Ambient temperature °F	-40°F ... +167°F
Ambient temperature °C	-40 °C ... +75 °C
Mechanical Data	
Field enclosure	Without, DIN rail mounting

Technical Drawings – Subject to Alterations




Connection diagram

Accessories

Figure	Description	Product Type	Art. No.	Weight lb
Grounding bar set for 4 Spurs				
	Grounding bar 9411 spring terminal strap with 6 terminals	-	202774	0.28
Grounding bar set for 4 Spurs				
	Grounding bar 9411 screw terminals	-	161929	0.18
Fieldbus Power Supply				
	Fieldbus power supply and diagnostics	9412/00-310-11s	200586	0.3

Accessories

Figure	Description	Product Type	Art. No.	Weight lb
Fieldbus Wizard Engineering Tool				
	Engineering tool for segment design of Foundation Fieldbus or Profibus PA fieldbus installations Download under www.fieldbus-solutions.info	-	-	-

Dimensional Drawings (All Dimensions in mm [inches]) – Subject to Alterations

