



- For connecting four (FISCO, Entity) fieldbus devices in Zone 2 and Class I, Div. 2
- Operated using High Power Trunk concept
- Reduced start-up current thanks to power management and short-circuit limiting with disconnection

09

WebCode 9411E



9411/24 series Ex i field device couplers for installation in Zone 2 and Class I, Div. 2 with galvanic separation can be used for interference-free connection of up to four intrinsically safe FF H1 or PROFIBUS PA field devices on the High Power Trunk. The spurs with type of protection ia can be used for fieldbus devices in Zones 1 and 2 and Class I, Div. 2 and are protected by a short-circuit limiting function. The integrated power management minimizes start-up and short-circuit currents. Available with screw terminals or spring clamp terminals.

	NEC® 500 CEC Appendix J					
	Class I		Class II		Class III	
Division	1	2	1	2	1	2
Ex interface	•	•	•	•	•	•
Installation in		•		•		•

	CEC Section 18					
	NEC® 505		NEC® 506			
	Class I					
Zone	0	1	2	20	21	22
Ex interface	•	•	•	•	•	•
Installation in			•		•	•

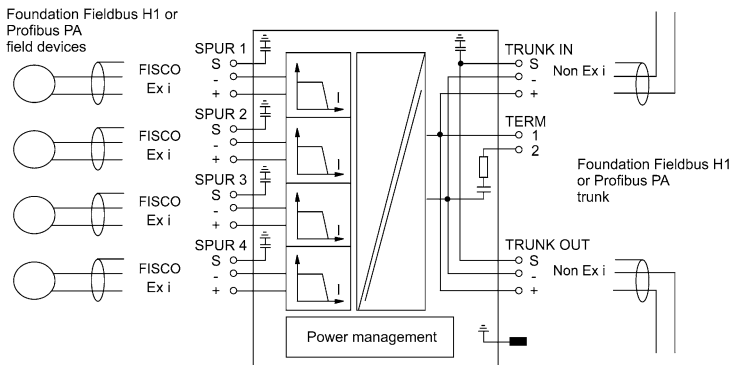
	IECEX / ATEX					
		0	1	2	20	21
Zone						
Ex interface	•	•	•	•	•	•
Installation in			•		•	•

Selection Table					
Product Description	ISbus fieldbus technology Field device coupler				
Number of channels	Connection type	Product Type	Art. No.	Weight lb	
4	Screw terminal, detachable	9411/24-330-31	206838	1.62	
Field enclosures in polyester or stainless steel: customer specific solutions on request					

Technical Data	
Explosion Protection	
Certificate FMus	3026646
Certificate cFM	3026646C
Marking FMus	NI, Class I, Div. 2, Groups A,B,C,D; AIS, Class I,II,III, Div. 1, Groups A,B,C,D,E,F,G; Class I, Zone 2, AEx nA [ia] IIC; T4 at Ta = 75 °C; See Doc. 9411 6 031 004 1
Marking cFM	NI, Class I, Div. 2, Groups A,B,C,D; AIS, Class I,II,III, Div. 1, Groups A,B,C,D,E,F,G; Class I, Zone 2, Ex nA [ia] IIC; T4 at Ta = 75 °C; See Doc. 9411 6 031 004 1
IECEX gas explosion protection	Ex nA [ia Ga] IIC T4 Gc
IECEX dust explosion protection	[Ex ia Da] IIIC
Certificates	ATEX (BVS), Brazil (ULB), Canada (FM), EAC (Sertium), IECEX (BVS), India (PESO), International (FF), USA (FM)
Auxiliary Power	
Power dissipation max.	1.8 W


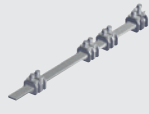

Technical Data	
Auxiliary Power	
Notes	Auxiliary power is not necessary, the field device coupler will be supplied by the trunk
Input	
Voltage range Trunk	16 – 32 V
Output	
Output current	0 mA ... 41 mA; per spur
Output voltage	Min. 10 V at 41 mA
Ambient Conditions	
Ambient temperature °F	-40°F ... +167°F
Ambient temperature °C	-40 °C ... +75 °C
Mechanical Data	
Field enclosure	Without, DIN rail mounting

**Technical Drawings – Subject to Alterations**




Connection diagram

**Accessories**

Figure	Description	Product Type	Art. No.	Weight lb
<b>Grounding bar set for 4 Spurs</b>				
	Grounding bar 9411 spring terminal strap with 6 terminals	-	202774	0.28
<b>Grounding bar set for 4 Spurs</b>				
	Grounding bar 9411 screw terminals	-	161929	0.18
<b>Fieldbus Power Supply</b>				
	Fieldbus power supply and diagnostics	9412/00-310-11s	200586	0.3

**Accessories**

Figure	Description	Product Type	Art. No.	Weight lb
<b>Fieldbus Wizard Engineering Tool</b>				
	Engineering tool for segment design of Foundation Fieldbus or Profibus PA fieldbus installations Download under <a href="http://www.fieldbus-solutions.info">www.fieldbus-solutions.info</a>	-	-	-

**Dimensional Drawings (All Dimensions in mm [inches]) – Subject to Alterations**

