

- Time- and cost-saving installation on DIN rails or mounting plates
- High availability thanks to redundant auxiliary power supply with signalling contact and separate signalling contact for segment errors
- Special slot for 9415 series DCM for online transmission of physical layer diagnostics

09

WebCode 9419A


9419 series bus carriers allow 9412 series fieldbus power supplies for FF H1 segments to be installed quickly and securely. Variants are available for eight segments with simplex supply and for four or eight segments with redundant supply. Pluggable terminals are used to connect the fieldbus segments and host assemblies.

	NEC® 500 CE Code Appendix J					
	Class I		Class II		Class III	
Division	1	2	1	2	1	2
Ex interface						
Installation in		•				

	CE Code Section 18					
	NEC® 505			NEC® 506		
	Class I					
Zone	0	1	2	20	21	22
Ex interface						
Installation in			•			

	IECEX / ATEX					
	Zone					
Zone	0	1	2	20	21	22
Ex interface						
Installation in			•			

Selection Table					
Product Description					
ISbus fieldbus technology bus-Carrier, universal For Zone 2					
Trunk supply	Number of segments	Number of slots	Product Type	Art. No.	Weight
Redundant	4	8 FPS + 1 DCM	9419/04R-XX1-02C1	208746	600 g
	8	16 FPS + 1 DCM	9419/08R-XX1-02C1	208747	1.2 kg
Simplex	8	8 FPS + 1 DCM	9419/08F-XX1-01C1	208745	600 g

The shield terminals (see accessories) must be ordered separately for the bus-carrier.

Please order fieldbus power supplies (FPS) and diagnosis communication module (DCM) separately.




Technical Data	
Explosion Protection	
FMus certificate	3026646
cFM certificate	3026646C
Marking cFMus	Nonincendive for, Class I, Div. 2, Groups A,B,C,D; T4, at Ta = 70 °C Class I, Zone 1, AEx/Ex nA nC IIC T4 , at Ta = 70 °C 9419 6 031 001 1
IECEX gas explosion protection	Ex nA nC IIC T4 Gc
Certificates	ATEX (BVS), Canada (FM), IECEX (BVS), USA (FM)
Electrical Data	
Error detection Power Fail (pri / red)	Contact "PF" (35 V/100 mA) closed in go-state
Error detection Diagnostic	Contact "Dia" (35 V/100 mA) closed in go-state
Auxiliary Power	
Nominal voltage V _{nom}	24 V DC
Redundant supply	Yes, diode-decoupled

Technical Data

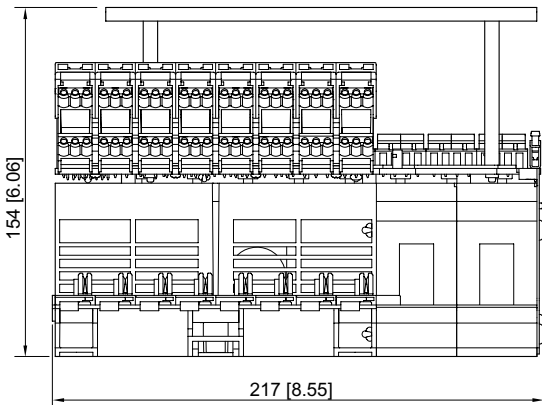
Ambient Conditions

Ambient temperature °F	-4 °F ... +158 °F
Ambient temperature °C	-20 °C ... +70 °C

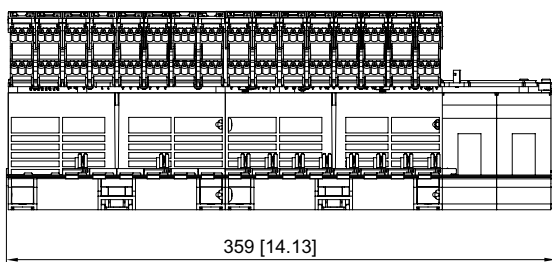
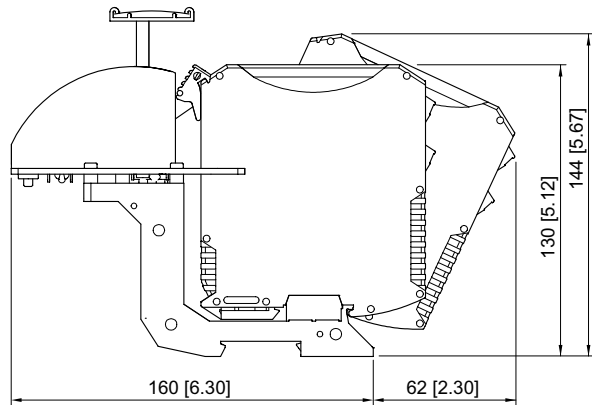
Accessories

Figure	Description	Product Type	Art. No.	Weight
Diagnostics communication module 9415				
	Transmission of diagnostic data for up to eight segments via FF H1	9415/00-310-42	207903	240 g
Fieldbus power supply				
	Fieldbus supply, diagnostics and adjustable warning level	9412/00-320-11s	200588	135 g
Spring clamp clip				
	Spring clamp clip KLBÜ C01	-	113509	1 g

Dimensional Drawings (All Dimensions in mm [inches]) – Subject to Alterations



9419/04R-XX1-02C1, 9419/08F-XX1-01C1



9419/08R-XX1-02C1

