



- Simple, front-end parameterization
- Bit refresh function improves signal quality
- Adjustable transmission speeds of 1.2 kbit/s and 1.5 Mbit/s - automatic with PROFIBUS DP
- Intrinsically Safe field interface for RS-485

MY R. STAHL 9185A



9185/11 series fieldbus isolating repeaters are the interface between intrinsically safe and non-intrinsically safe PROFIBUS DP segments, Modbus RTU segments and other similar fieldbus segments. These devices galvanically separate intrinsically safe bus interfaces (RS-422/RS-485) from non-intrinsically safe interfaces (RS-232, RS-422 or RS-485).

	NEC® 500 CE Code Appendix J					
	Class I		Class II		Class III	
Division	1	2	1	2	1	2
Ex interface	•	•	•	•	•	•
Installation in		•				

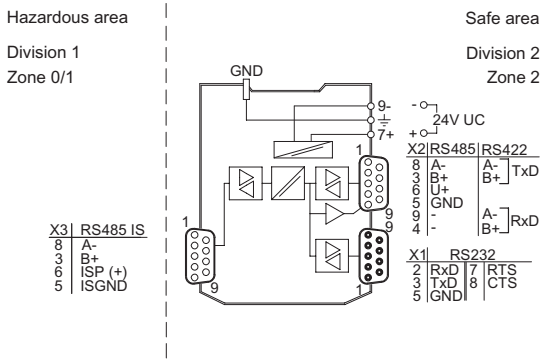
	CE Code Section 18					
	NEC® 505 Class I			NEC® 506		
Zone	0	1	2	20	21	22
Ex interface		•	•			
Installation in			•			

	IECEX / ATEX					
	Zone	0	1	2	20	21
Ex interface		•	•		•	•
Installation in			•			

Selection Table				
Product Description	Fieldbus isolating repeater ISpac			
Field side of interfaces	Safe area interfaces	Product Type	Art. No.	Weight
RS-485 IS (PNO)	RS 232, RS 422, RS 485	9185/11-35-10s	227598	350 g

Technical Data	
Explosion Protection	
FMus certificate	FM16US0122X
cFM certificate	FM16CA0067X
Marking cFMus	Class I, Div. 2, Groups A,B,C,D; Class I, Zone 2, AEx/Ex nA Group IIC AIS Class I,II,III, Div. 1, Groups A,B,C,D,E,F,G; Class I, Zone 1, [AEx ib]/[Ex ib] IIC T4 at Ta = 70°C See Doc. 91 856 01 31 1
IECEX gas explosion protection	Ex nA [ib Gb] IIC T4 Gc
IECEX dust explosion protection	[Ex ib Db] IIIC
Certificates	ATEX (BVS), Canada (FM), China (NEPSI), IECEX (BVS), Korea (KGS), USA (FM)
Ship approval	ABS, BVIS, CCS, EU RO MR (DNV), KR, LR
Electrical Data	
Connections	Sub-D socket X3, 9-pin (field-side interface)
Interface settings	Fixed transmission rate or automatic detection > 9.6 kbps (only for PROFIBUS DP)
Electrical interface data rate	1.2 kbps – 1.5 Mbps
Auxiliary Power	
Auxiliary power	24 V AC / DC

Technical Drawings – Subject to Alterations

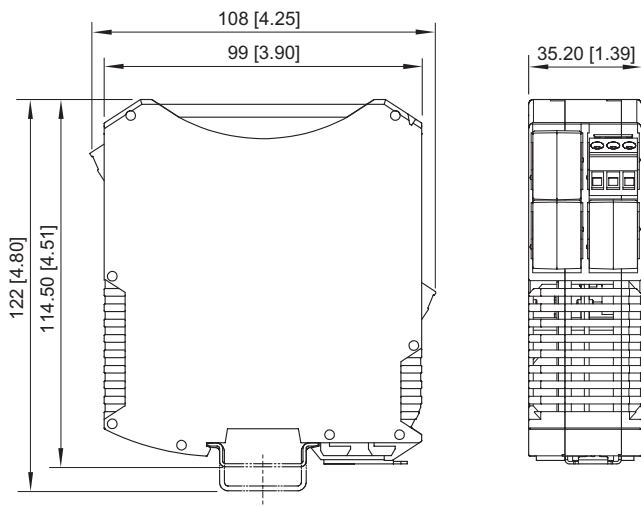


Connection diagram 9185/11

Accessories

Figure	Description	Art. No.	Weight
Sub-D plug, RS-485 IS, angled			
	9-pin for connecting fieldbus or ServiceBus to CPU & power module Series 9440/22, 9185 fieldbus isolating repeater and 9786/12-11 media converter. The end-of-line resistor is installed and switchable. For RS 485 IS (according to Profibus standard). Ambient temperature: -40 °C to +70 °C	162693 ▲	100 g
	9-pin for connecting 9185 fieldbus isolating repeater and 9786/12-11 media converter. The end-of-line resistor is installed. For RS-485 IS (according to Profibus standard). Ambient temperature: -25 °C to +70 °C	201805	50 g

Dimensional Drawings (All Dimensions in mm [inches]) – Subject to Alterations



ISpac Series 9185, 9192 with screw terminal