



- Simple, front-end parameterization
- Bit refresh function improves signal quality
- Adjustable transmission speeds of 1.2 kbit/s and 1.5 Mbit/s - automatic with PROFIBUS DP
- Field interface non-Ex i

## MY R. STAHL 9185B



The 9185/12 series fieldbus isolating repeater can be used for the galvanically separated transmission of communication signals. It prevents any compensating currents and protects easily damaged terminal equipment from transient coupling, thereby ensuring undisturbed signal transmission for R. STAHL PROFIBUS DP, Modbus RTU and service bus. The RS-232 interface allows a PC to be connected.

	NEC® 500 CE Code Appendix J					
	Class I		Class II		Class III	
Division	1	2	1	2	1	2
Ex interface		•		•		
Installation in		•				

	CE Code Section 18					
	NEC® 505			NEC® 506		
	Class I					
Zone	0	1	2	20	21	22
Ex interface			•			
Installation in			•			

	IECEX / ATEX					
Zone	0	1	2	20	21	22
Ex interface		•	•		•	•
Installation in			•			

Selection Table				
Product Description	Fieldbus isolating repeater ISpac			
Field side of interfaces	Safe area interfaces	Product Type	Art. No.	Weight
RS 485 / RS 422 (switchable)	RS 232, RS 422, RS 485	<b>9185/12-45-10s</b>	227600	350 g

Technical Data	
Explosion Protection	
FMus certificate	FM16US0122X
cFM certificate	FM16CA0067X
Marking cFMus	Class I, Div. 2, Groups A,B,C,D; Class I, Zone 2, AEx/Ex nA Group IIC T4 at Ta = 70°C See Doc. 91 856 01 31 1
IECEX gas explosion protection	Ex nA IIC T4 Gc
Certificates	ATEX (BVS), Canada (FM), China (NEPSI), IECEX (BVS), USA (FM)
Ship approval	ABS, BVIS, CCS, EU RO MR (DNV), KR, LR
Electrical Data	
Interface field area level	EIA RS 485, EIA RS 422
Connections	Sub-D socket X3, 9-pin (field-side interface)
Interface settings	Fixed transmission rate or automatic detection > 9.6 kbps (only for PROFIBUS DP)
Line length interface field area	Depends on transmission rate and cable
Data transmission indication	"RxD3" LED, green
Electrical interface data rate	1.2 kbps – 1.5 Mbps
Terminating resistor interface field area	To be connected in external plug

### Technical Data

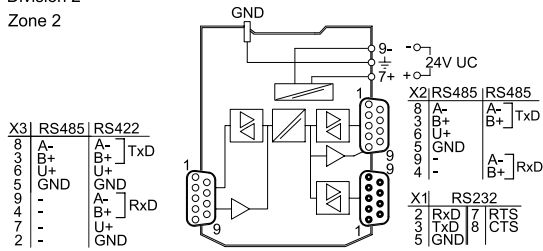
**Auxiliary Power**

Auxiliary power	24 V AC / DC
Nominal current	66 mA

### Technical Drawings – Subject to Alterations


Safe area

Division 2  
Zone 2

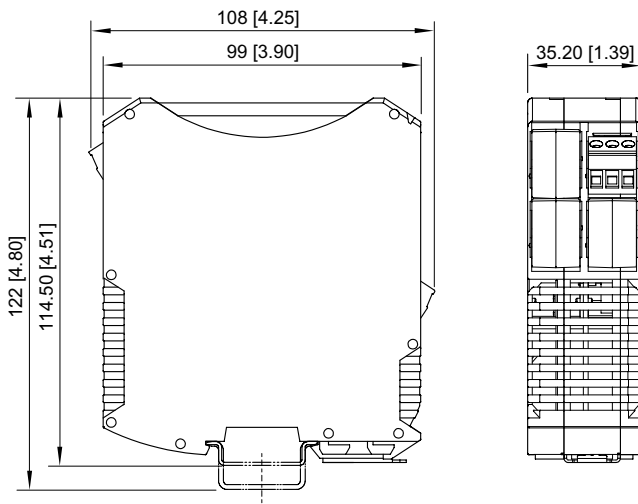


Connection diagram 9185/12

### Accessories

Figure	Description	Art. No.	Weight
	9-pin for connecting fieldbus or ServiceBus to CPU & power module Type 9440/15, 9185 fieldbusisolatingrepeater and 9786/15-12 media converter. The end-of-line resistor is installed and switchable. For non-intrinsically safe RS-485. Ambient temperature: -40 °C to +75 °C	105715	60 g

### Dimensional Drawings (All Dimensions in mm [inches]) – Subject to Alterations



ISpac Series 9185, 9192 with screw terminal