



- Simple handling using hot swap technology
- Versatile application possibilities thanks to modular structure
- Most extreme operating conditions in hazardous areas
- Reliable data and signal connections or power supplies
- Simple connection and disconnection thanks to one-handed operation

D

MY R. STAHL 8595H



R. STAHL's Series 8595/1 explosion-protected miniCON plug connectors with up to eight poles keep you safely connected. The high-quality stainless steel plug connectors have impressed many customers with their reliability in a diverse range of applications. Their hot swap disconnecting capacity means that intrinsically safe signal supplies and power supplies up to 500 V/8 A can be connected and disconnected reliably and safely without the need for a hot work permit or other hot work authorisation.



The miniCON connectors designed for conductor cross-sections of 24 AWG to 14 AWG (0.25 mm² to 2.5 mm²) are available for directly connecting electrical lines or for device installation in the device plug and flange socket types of construction. The new plug connectors for hazardous areas in Class I, II, Division 2 and in Zones 1 and 21 stand out from the competition thanks to their modular structure and logically arranged components, which enable quick, easy mounting. Our patented single-handed operation means that matching plug connectors, which can be defined by the installer using internal coding for up to three applications, can be connected in no time. If required, nickel-plated brass versions are available.

	NEC® 500 CE Code Appendix J					
	Class I		Class II		Class III	
Division	1	2	1	2	1	2
Ex interface						
Installation in		•		•		•

	CE Code Section 18 NEC® 505 NEC® 506					
	Class I			Class II		
Zone	0	1	2	20	21	22
Ex interface						
Installation in		•			•	

	IECEX / ATEX					
	Zone 0		Zone 1		Zone 2	
Zone	0	1	2	20	21	22
Ex interface						
Installation in		•	•		•	•


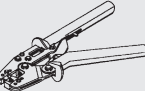
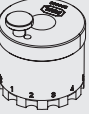




Selection Table							
Version		Bulkhead plug					
Enclosure material		Stainless steel 1.4404					
Figure	Connection thread	Contact type	Connection cross-section	Connection cross-section AWG	Product Type	Art. No.	Weight
	M32 x 1.5	Pin contact	0.5 mm ²	20 AWG	8595/1-PS2-S-P05-00E	324646	200 g
		Pin contact	2.5 mm ²	14 AWG	8595/1-PS2-S-P25-00E	324647	200 g
Version		Bulkhead receptacle					
Enclosure material		Stainless steel 1.4404					
Figure	Connection thread	Contact type	Connection cross-section	Connection cross-section AWG	Product Type	Art. No.	Weight
	M32 x 1.5	Socket contact	0.5 mm ²	20 AWG	8595/1-CS2-S-S05-00E	324648	200 g
		Socket contact	2.5 mm ²	14 AWG	8595/1-CS2-S-S25-00E	324649	200 g

Selection Table							
Version Enclosure material		Connector plug Stainless steel 1.4404					
Figure	Connection thread	Contact type	Connection cross-section	Connection cross-section AWG	Product Type	Art. No.	Weight
	M20 x 1.5	Pin contact	0.5 mm ²	20 AWG	8595/1-PS2-S-P05-001	324650	200 g
		Pin contact	2.5 mm ²	14 AWG	8595/1-PS2-S-P25-001	324651	200 g
Version Enclosure material		Connector receptacle Stainless steel 1.4404					
Figure	Connection thread	Contact type	Connection cross-section	Connection cross-section AWG	Product Type	Art. No.	Weight
	M20 x 1.5	Socket contact	0.5 mm ²	20 AWG	8595/1-CS2-S-S05-001	324652	200 g
		Socket contact	2.5 mm ²	14 AWG	8595/1-CS2-S-S25-001	324653	200 g

Cable glands are not part of the standard metallic product.

Technical Data	
Explosion Protection	
Scope of validity	European Union (ATEX) CE Code IECEX NEC®
Certificate ULus	E531347
Marking ULus	Class I, Div. 2, Groups A,B,C,D Class II, III, Div. 2, Groups F,G Class I, Zone 1, AEx db eb IIC Gb Class I, Zone 0, AEx ia IIC Ga Zone 21, AEx tb IIIC Db Zone 20, AEx ia IIIC Da
Certificate cUL	E531347
Marking cUL	Ex db eb IIC T6, T5 Gb Ex ia IIC T6 Ga Ex tb IIIC T80 °C ... T95 °C Db Ex ia IIIC T80 °C Da Class I, Div. 2, Groups A,B,C,D Class II, III, Div. 2, Groups F,G
IECEX gas explosion protection	Ex db eb IIC T6 / T5 Gb
IECEX dust explosion protection	Ex tb IIIC T80 °C / T95 °C Db
Certificates	ATEX (EPS), Canada (UL), IECEX (EPS), USA (UL)
Declaration of Conformity	ATEX (EUK)
Electrical Data	
Rated operational voltage AC	500 V
Voltage tolerance	+10%
Rated insulation voltage	690 V
Rated operational current for AC	8 A
Switching capacity	AC-3: 550 V/8 A
No. of poles	7 P + PE / 8 P
AC frequency range	50 – 60 Hz
Notes	Data transfer rate: 1000 Mbps
Ambient Conditions	
Ambient temperature °C	-60 °C ... +75 °C
Ambient temperature °F	-76 °F ... +167 °F
Mechanical Data	
Enclosure type (UL50 & UL50E)	3, 4, 4X
Degree of protection (IP) (IEC 60529)	IP66 IP67
IP degree of protection (IEC 60079)	IP64

Technical Data	
Mechanical Data	
Impact strength (IEC 60079)	7 J
Seal	Silicone
Coding	1-3, arbitrary
Notes	For preassembled variants, coding 1 is pre-set
Mounting / Installation	
Connection type	crimp
Connection type 2	solder
The standard connection type is crimping. Soldering is possible in the range of 0.25 – 1.5 mm ² (24 AWG - 16 AWG).	

Accessories			
Figure	Description	Art. No.	Weight
EMC/shielding			
	To create an EMC-compliant connection of braided, shielded or reinforced conductors.	307512	29 g
Crimping tool			
	For all versions with crimp connection of 0.14 to 6 mm ²	295689	1 kg
Contact mounts/positioners for rotated industrial contacts			
	The selection of the contact mount is based on the crimp contacts to be processed. - Exact positioning of the crimp contact during the crimping process - Reliable, reproducible crimping result - Adapted for miniCON contacts	299586	100 g
Adapters			
	8595 nickel-plated brass adapter for cable gland, M16 x 1.5	314522	500 g
	8595 stainless steel adapter for cable gland, M16 x 1.5	314521	500 g
Adaptor			
	KIT 8595 nickel-plated brass adaptor for cable gland, M20 x 1.5	296752	100 g
	KIT 8595 stainless steel adaptor for cable gland, M20 x 1.5	286164	63 g
	KIT 8595 nickel-plated brass adaptor for cable gland, M25 x 1.5	296753	100 g
	KIT 8595 stainless steel adaptor for cable gland, M25 x 1.5	286165	62 g
	KIT 8595 stainless steel adaptor, M20 x 1.5, for installation in Ex e enclosure	304565	139 g
	KIT 8595 stainless steel adaptor, M25 x 1.5, for installation in Ex e enclosure	304567	140 g
Socket contact			
	KIT 8595 socket contacts (0.25 to 0.5 mm ²), 8 pieces	286151	25 g
	KIT 8595 socket contacts (2.5 mm ²), 8 pieces	286154	26 g

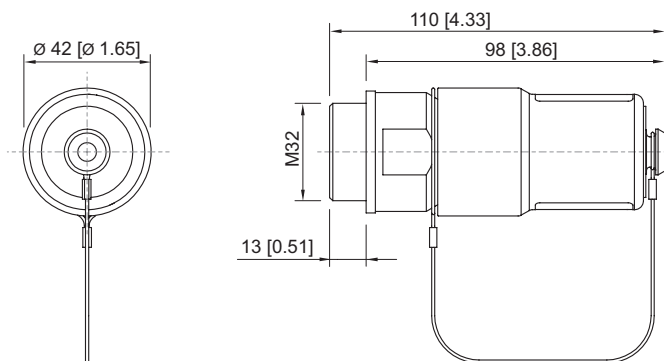
Accessories

Figure	Description	Art. No.	Weight
Pin contact			
	KIT 8595 pin contacts (0.25 to 0.5 mm ²), 8 pieces	286155	26 g
	KIT 8595 pin contacts (2.5 mm ²), 8 pieces	286158	26 g

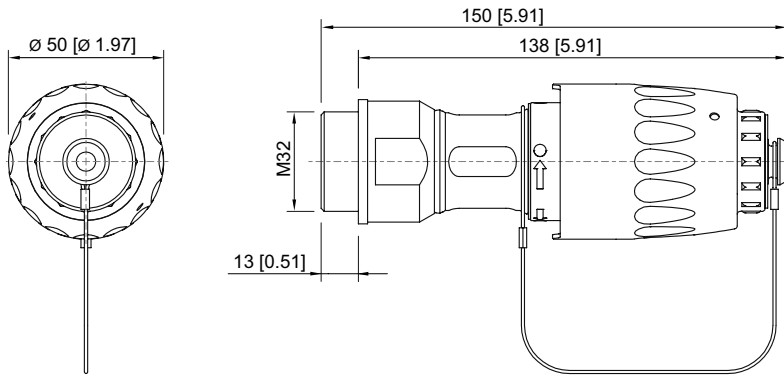
Spare Parts

Figure	Description	Art. No.	Weight
Jam nut, nickel-plated brass			
	Material: Nickel-plated brass Thread size: M32 One piece	110869	11 g
Contact holder for socket contact			
	KIT 8595 socket contact insert + PE	286146	33 g
Contact holder for pin contact			
	KIT 8595 pin contact insert + PE	286148	23 g
Protective cap			
	KIT 8595 coupling protective cap (socket) Incl. KIT 8595 coding plates, four colours, without labelling	286159	32 g

Dimensional Drawings (All Dimensions in mm [inches]) – Subject to Alterations



8595/1 bulkhead receptacle



8595/1 bulkhead plug

