

# Load & Motor Disconnect Switches



Load disconnect switch

0 A, fused

7146/5-V11-E03-AA-0000-0 Art. No. 286735



- 3-pole horsepower (hp) rated switch
- Suitable for voltages up to 600 V AC / 240 V DC - restrictions may apply
- Pad lockable robust rotary handle
- Lightweight construction
- Fiberglass reinforced polyester (FRP)
- Suitable for low ambient temperatures
- Enclosure type 3, 4, 4X, IP66
- No conduit seals required
- Class I, Div. 2 / AEx Zone 2

MY R. STAHL 7146A



Our switches are specifically engineered for hazardous locations and harsh environments with a corrosion resistant enclosure and wide temperature range. Ideal for close proximity installation of field equipment such as control panels, motors, skids or machinery. Whether the requirement is for disconnect switches to completely de-energize for service or maintenance tasks, or transfer switches to ensure continuous power supply to essential equipment, our solutions offer unmatched reliability. With our standard solutions, entries are not pre-installed, providing users with the flexibility to customized their own entries based on size, location and type. Built to withstand demanding conditions while ensuring safety and ease of use in various applications.

## Technical Data

### Explosion Protection

|                     |   |
|---------------------|---|
| Area of application | Canada<br>USA   |
| FMus certificate    | FM18US0275X   |
| cFM certificate     | FM18CA0132X   |
| Marking FMus        | Class I, Div. 2, Groups A,B,C,D; T4;<br>Enclosure Type 3, 4, 4X |
| Marking cFM         | Class I, Div. 2, Groups A,B,C,D; T4;<br>Enclosure Type 3, 4, 4X |
| Marking cFM note    | Zone 2 IIC per Canadian Electrical Code Table 18                |
| Certificates        | Canada (FM), USA (FM)   |

### Electrical Data

|                                     |  |
|-------------------------------------|--|
| Rated operational voltage AC        | 600 V  |
| Rated operational voltage DC 1-pole | 60 V   |
| Rated operational voltage DC 2-pole | 125 V  |
| Rated operational voltage DC 3-pole | 240 V  |
| Rated operational current           | 25 A   |
| Frequency range                     | 50 – 60 Hz   |
| Horsepower rating                   | 15 hp  |
| Horsepower rating note              | Horsepower rating (hp) in relation to rated operating voltage 480 V AC |
| Fuse                                | 40 A J-type  |
| Auxiliary contact NC                | without  |
| Auxiliary contact NO                | without  |
| Short circuit protection (sym RMS)  | 20 kA  |

# Load & Motor Disconnect Switches



Load disconnect switch

0 A, fused

7146/5-V11-E03-AA-0000-0 Art. No. 286735

## Auxiliary Power

Nominal voltage  $V_{nom}$  480 V AC

## Ambient Conditions

Ambient temperature °C -40°C ... +55°C

Ambient temperature °F -40°F ... +131°F

## Mechanical Data

Degree of protection (IP) IP66

Enclosure type (UL50 & UL50E) 3, 4, 4X

Enclosure material Polyester, Fiberglass Reinforced Polyester (FRP)

Additional terminal without

Connection cross section, stranded min. 12 AWG

Connection cross section, stranded max. 6 AWG

Construction type Standard

Width 170 mm

Width, inches 6.69 in

Height 340.5 mm

Height in inches 13.41 in

Depth 171 mm

Depth in inches 6.73 in

Service life, min.  $10^5$  operating cycles

Handle color Black

Protective collar color Black

Seal Silicone, foamed

Lockable in OFF – 3 positions

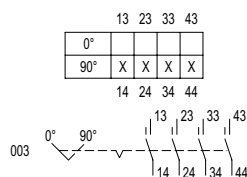
Detailed number of poles 3-pole + N

Weight 5.9 kg

## Components

Entries without

## Technical Drawings – Subject to Alterations



Switching arrangement 8006/4-003-00

# Load & Motor Disconnect Switches

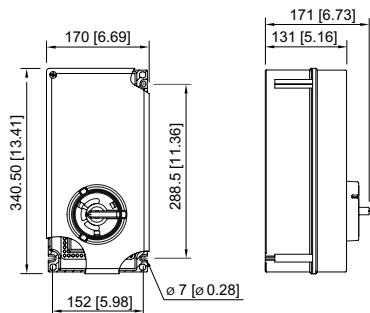


Load disconnect switch

0 A, fused

7146/5-V11-E03-AA-0000-0 Art. No. 286735

Dimensional Drawings (All Dimensions in mm [inches]) – Subject to Alterations



7146/5-V11-E01-AA-0000-0  
7146/5-V11-E03-AA-0000-0  
7146/5-V11-E04-AA-0000-0

# Load & Motor Disconnect Switches



Load disconnect switch

0 A, fused

7146/5-V11-E03-AA-0000-0 Art. No. 286735

## Accessories

### Ex e cable glands for MC, MC-HL, combined and "TECK" armouring Series TMC

|   | Art. No.  |        |
|---|---|--------|
|   | Thread size: NPT1/2<br>Clamping range: 8.7 ... 12.7 mm<br>Clamping range inch: 0.34 ... 0.5 in<br>Nickel-plated brass     | 254316 |
|   | Thread size: NPT1/2<br>Clamping range: 13 ... 17 mm<br>Clamping range inch: 0.51 ... 0.67 in<br>Nickel-plated brass       | 254317 |
|   | Thread size: NPT3/4<br>Clamping range: 15 ... 23.3 mm<br>Clamping range inch: 0.59 ... 0.92 in<br>Nickel-plated brass     | 106090 |
|   | Thread size: NPT1<br>Clamping range: 19.8 ... 29.2 mm<br>Clamping range inch: 0.78 ... 1.15 in<br>Nickel-plated brass     | 106091 |
|   | Thread size: NPT1-1/4<br>Clamping range: 27.5 ... 35.2 mm<br>Clamping range inch: 1.08 ... 1.39 in<br>Nickel-plated brass | 254320 |
|   | Thread size: NPT1-1/2<br>Clamping range: 33.5 ... 41.1 mm<br>Clamping range inch: 1.32 ... 1.62 in<br>Nickel-plated brass | 254321 |
|   | Thread size: NPT2<br>Clamping range: 45 ... 53 mm<br>Clamping range inch: 1.77 ... 2.09 in<br>Nickel-plated brass         | 254323 |
|   | Thread size: NPT2-1/2<br>Clamping range: 52.1 ... 58.9 mm<br>Clamping range inch: 2.05 ... 2.32 in<br>Nickel-plated brass | 254324 |
|   | Thread size: NPT2-1/2<br>Clamping range: 57.1 ... 64.6 mm<br>Clamping range inch: 2.25 ... 2.54 in<br>Nickel-plated brass | 254325 |
|   | Thread size: NPT3<br>Clamping range: 64.6 ... 75.3 mm<br>Clamping range inch: 2.54 ... 2.96 in<br>Nickel-plated brass     | 254326 |
| Thread size: NPT3-1/2<br>Clamping range: 74 ... 88.5 mm<br>Clamping range inch: 2.91 ... 3.48 in<br>Nickel-plated brass | 254327  |        |

### Auxiliary contact

|   | Art. No. |
|---|----------|
|  <p>Note: The auxiliary contacts can only be retrofitted for 40 A, 63 A and 80 A versions. For all other versions, the auxiliary contact must be ordered separately when placing the order. Ret-rofitting is not possible for this.</p> |          |

# Load & Motor Disconnect Switches



Load disconnect switch

0 A, fused

7146/5-V11-E03-AA-0000-0 Art. No. 286735

## Spare Parts

### Load/motor switch

### Art. No.



25 A, 30 A and 32 A  
Number of poles: 4 P  
Type: 8006/4-003-00  
Load/motor switch

169492

We reserve the right to make alterations to the technical data, dimensions, weights, designs and products available without notice. The illustrations cannot be considered binding.