

Control and signalling devices

Control device system ConSig 8040 series

LED indicator lamp and 2-pole maintained control switch with switch insert 8008
8040/12E8X-54C01SA70-32G02SF01 Art. No. 287012

STAHL

ConSig



- Quad certified control stations (NEC®, CE Code, ATEX, IECEX)
- Lightweight enclosure made from fiberglass reinforced polyester (FRP), excellent for corrosive atmospheres
- Offers a variety of pushbuttons, illuminated pushbuttons, control switches and LEDs for different configurations
- Customizable control stations available upon request with different entry, contact options and additional certifications

MY R. STAHL 8040E



R. STAHL's series 8040 NEC®/ CE Code control stations utilize explosion-protected components with non-metallic enclosures for the ultimate flexibility, safety and durability in hazardous and hostile locations. Choose from one of the standard versions or contact us for a customized solution.

Technical Data

Explosion Protection

Scope of validity	European Union (ATEX) Canada IECEX USA
Application range (Zones)	1 2 21 22
IECEX gas certificate	IECEX PTB 06.0025
IECEX gas explosion protection	Ex db eb IIC T6 Gb
IECEX dust certificate	IECEX PTB 06.0025
IECEX dust explosion protection	Ex tb IIIC T80 °C Db
ATEX gas certificate	PTB 01 ATEX 1105
ATEX gas explosion protection	Ex II 2 G Ex db eb IIC T6 Gb
ATEX dust certificate	PTB 01 ATEX 1105
ATEX dust explosion protection	Ex II 2 D Ex tb IIIC T80 °C Db
Certificate ULus	E182378V1S5
Marking ULus	Class I, Div. 2, Groups A,B,C,D Class II, III, Div. 2, F,G Class I, Zone 1, AEx db eb IIC T6 Enclosure Type 3, 4, 4X
Certificate cUL	E182378V1S5
Marking cUL	Ex db eb IIC T6 Class I, Div. 2, Groups A,B,C,D Class II, III, Div. 2, F, G Enclosure Type 3, 4, 4X
Certificates	ATEX (PTB), Brazil (ULB), Canada (UL), China (NEPSI), IECEX (PTB), India (PESO), Korea (KGS), Taiwan (ITRI), USA (UL)
Ship approval	DNVGL

Control and signalling devices



Control device system ConSig 8040 series

LED indicator lamp and 2-pole maintained control switch with switch insert 8008

8040/12E8X-54C01SA70-32G02SF01 Art. No. 287012

Explosion Protection

Notes	Product label for standard configurations as NEC®, CE Code, ATEX, and IECEx. For additional certifications, contact factory.
-------	--

Electrical Data

Rated operational voltage AC	690 V
Rated operational current	16 A

Ambient Conditions

Ambient temperature °C	-50 °C ... +40 °C
Ambient temperature °F	-58 °F ... +104 °F

Mechanical Data

Degree of protection (IP)	IP66
Degree of protection IP (IEC 60529)	IP66
Enclosure Type (UL50 & UL50E)	3, 4, 4X
Enclosure material	Polyester resin, Fiberglass reinforced
Enclosure color	Dark grey
Silicone-free	No
AWG clamping range	14 AWG
Connection cross-section max.	2.5 mm ²
Solid connection cross section	0.32 – 2.5 mm ²
Connection cross-section AWG single stranded	22 AWG to 14 AWG
Finely stranded connection cross section	0.32 – 2.5 mm ²
Finely stranded connection cross-section AWG	22 AWG - 14 AWG
Cover fixing type	With captive screws, M4 stainless steel screws
Width	80 mm
Width, inches	3.15 in
Height	139 mm
Height, inches	5.47 in
Depth	72 mm
Depth, inches	2.76 in
Seal	Silicone, foamed
Weight	1.01 kg
Weight	2.24 lb

Mounting / Installation

Tightening torque of cover screw 1	1.4 Nm
Tightening torque of cover screw 1 lbf in	12.4 lbf in

Components

Installation position top	Indicator lamp bezel, Red, With silicone seal
Built-in element top	LED indicator lamp
Installation position bottom	Small handle, 0/OFF-I/ON (1x 90°), With silicone seal
Built-in element bottom	Control switch 8008/2-002
No. poles on bot. built-in el.	2
Flange and plates	Metal plate, bottom
Entry type	CMP
Entry 1 type	Metal adapter

Control and signalling devices



Control device system ConSig 8040 series

LED indicator lamp and 2-pole maintained control switch with switch insert 8008

8040/12E8X-54C01SA70-32G02SF01 Art. No. 287012

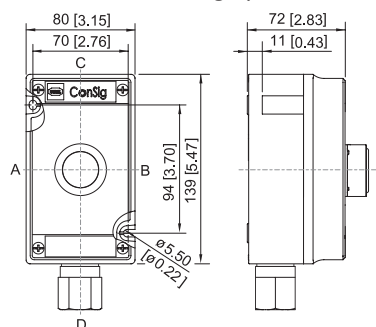
Components

Entry 1	NPT 3/4"
Metal entry possible 1	Yes

Technical Drawings – Subject to Alterations



Dimensional Drawings (All Dimensions in mm [inches]) – Subject to Alterations



ConSig 8040/12E

Accessories

Indicator lamp bezel

BG054		Art. No.
	Diameter 39 mm All colors Silicone-free: No	223123

Spare Parts

Caps for BG054

	for indicator lamp, all colors packaged	Art. No. 248685
--	---	--------------------

Label holder

	Size 1, without insert disc, 1-line label for actuators Ø 39	Art. No. 223566
--	---	--------------------






Control and signalling devices

STAHL

Control device system ConSig 8040 series

LED indicator lamp and 2-pole maintained control switch with switch insert 8008

8040/12E8X-54C01SA70-32G02SF01 Art. No. 287012

	Size 2, without insert disc, 1- or 2-line label for actuators Ø 39	223567
	Size 3, without insert disc, 1-, 2- or 3-line label for actuators Ø 39	223568
Label set for ASSY732		Art. No.
	The label set contains two dia. 30.8 mm labels 1x label with text HAND-0-AUTO 1x label with text LOCAL-REMOTE	321792
Rotary actuator, small		Art. No.
	Diameter 39 mm, Not padlockable, 90° position Seal: Silicone, for up to -60 °C	264002
Special key		Art. No.
	for tightening plastic locking nut	169101

We reserve the right to make alterations to the technical data, dimensions, weights, designs and products available without notice. The illustrations cannot be considered binding.