

Control and signalling devices

Control device system Series ConSig 8040

Maintained control switch 2-pole with switch element 8008

8040/12E8X-36I08SF05 Art. No. 287030



ConSig



- Quad certified control stations (NEC®, CE Code, ATEX, IECEx)
- Lightweight enclosure made of fiber glass reinforced polyester (FRP), excellent for corrosive atmospheres
- Offers a variety of pushbuttons, illuminated pushbuttons, control switches and LEDs for different configurations
- Customizable control stations available upon request with different entry, contact options and additional certifications

MY R. STAHL 8040E



R. STAHL's series 8040 NEC® / CE Code control stations utilize explosion-protected components with non-metallic enclosures for the ultimate flexibility, safety and durability in hazardous and hostile locations. Choose from one of the standard versions or contact us for a customized solution.

Technical Data

Explosion Protection

Area of application	European Union (ATEX) Canada IECEx USA
Application range (zones)	1, 2, 21, 22
IECEx gas certificate	IECEx PTB 06.0025
IECEx gas explosion protection	Ex db eb IIC T6 Gb
IECEx dust certificate	PTB 01 ATEX 1105
IECEx dust explosion protection	Ex tb IIIC T80 °C Db
ATEX gas certificate	PTB 01 ATEX 1105
ATEX gas explosion protection	⊕ II 2 G Ex db eb IIC T6 Gb
ATEX dust certificate	PTB 01 ATEX 1105
ATEX dust explosion protection	⊕ II 2 D Ex tb IIIC T80 °C Db
Certificate ULus	E182378V1S5
Marking ULus	Class I, Div. 2, Groups A,B,C,D Class II, III, Div. 2, Groups F,G Class I, Zone 1, AEx db eb IIC T6 Enclosure Type 3, 4, 4X
Certificate cUL	E182378V1S5
Marking cUL	Ex db eb IIC T6 Class I, Div. 2, Groups A,B,C,D Class II, III, Div. 2, Groups F,G Enclosure Type 3, 4, 4X
Certificates	ATEX (PTB), Brazil (ULB), Canada (UL), China (NEPSI), IECEx (PTB), India (PESO), Korea (KGS), Taiwan (ITRI), USA (UL)
Ship approval	DNVGL
Notes	Product label for standard configurations as NEC®, CE Code, ATEX, and IECEx. For additional certifications, contact factory.

Electrical Data

Rated operational voltage AC	690 V
------------------------------	-------

Control and signalling devices

Control device system Series ConSig 8040

Maintained control switch 2-pole with switch element 8008

8040/12E8X-36I08SF05 Art. No. 287030



Electrical Data

Rated operational current	16 A
---------------------------	------

Ambient Conditions

Ambient temperature	-50 °C ... 40 °C
---------------------	------------------

Ambient temperature °F	-58 °F ... +104 °F
------------------------	--------------------

Mechanical Data

Degree of protection IP (IEC 60529)	IP66
-------------------------------------	------

Enclosure type (UL50 & UL50E)	3, 4, 4X
-------------------------------	----------

Enclosure material	Polyester resin, Fiberglass reinforced
--------------------	--

Enclosure color	Dark grey
-----------------	-----------

Silicone-free	No
---------------	----

Clamping range AWG	14 AWG
--------------------	--------

Connection cross-section max.	2.5 mm ²
-------------------------------	---------------------

Solid connection cross section	0.32 – 2.5 mm ²
--------------------------------	----------------------------

Connection cross-section AWG single stranded	22 AWG ... 14 AWG
--	-------------------

Finely stranded connection cross section	0.32 – 2.5 mm ²
--	----------------------------

Finely stranded connection cross-section AWG	22 AWG ... 14 AWG
--	-------------------

Cover fixing type	With captive screws, M4 stainless steel screws
-------------------	--

Width	80 mm
-------	-------

Width, inches	3.15 in
---------------	---------

Height	139 mm
--------	--------

Height in inches	5.47 in
------------------	---------

Depth	72 mm
-------	-------

Depth in inches	2.76 in
-----------------	---------

Seal	Silicone, foamed
------	------------------

Weight	697 g
--------	-------

Mounting / Installation

Tightening torque of cover screw 1	1.4 N · m
------------------------------------	-----------

Tightening torque of cover screw 1 lbf in	12.4 lbf in
---	-------------

Components

Installation position middle	Large handle, LOCAL-REMOTE (1x 90°), With silicone seal
------------------------------	---

Built-in element middle	Control switch 8008/2-016
-------------------------	---------------------------

Number of poles in built-in element, center position	2
--	---

Flange and plates	Metal plate, bottom
-------------------	---------------------

Cable glands and entries	NPT 3/4
--------------------------	---------

Entry type	CMP
------------	-----

Entry 1 type	Metal adaptor
--------------	---------------

Entry 1	NPT 3/4"
---------	----------

Metal entry possible for entry 1	Yes
----------------------------------	-----

Control and signalling devices

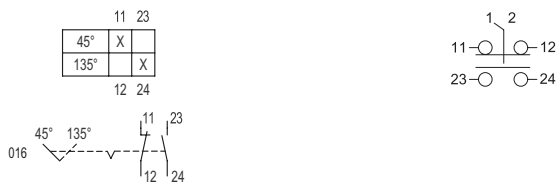


Control device system Series ConSig 8040

Maintained control switch 2-pole with switch element 8008

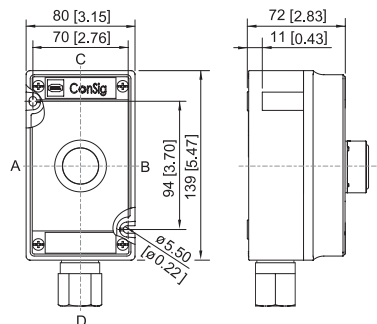
8040/12E8X-36I08SF05 Art. No. 287030

Technical Drawings – Subject to Alterations



Switching arrangement 8008/-016

Dimensional Drawings (All Dimensions in mm [inches]) – Subject to Alterations



ConSig 8040/12E

Accessories

Cylinder lock



for lockout (bracket Ø 3)

Art. No.

107115

Rotary actuator Maxi BG736



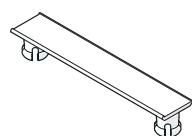
8602C3-736-S-XXX-E08
 Ø 64 mm
 Handle color: Black
 Protective collar color: Black
 Front panel mounting
 -60 °C ... 70 °C
 Silicone-free: No
 Lockable option (max. 3 times) can be determined using the enclosed closing parts.
 Lockable handle position: Not defined.
 In the unmounted assemblies, the standard label is 0/OFF-I/ON and the long coupling part is enclosed.
 Other labels must be ordered separately.

Art. No.

318418

Spare Parts

Tag label



plain
 for attaching to enclosure 8040; moulded material;
 with paper insert strip

Art. No.

130673

We reserve the right to make alterations to the technical data, dimensions, weights, designs and products available without notice. The illustrations cannot be considered binding.