

# Installation equipment

Flange socket 20 A

Flange socket

8570/25-407-S-XX-X-00-XXX Art. No. 290138



- Different voltage ranges according to EN 60309
- Large temperature range of use
- Small dimensions for integration into machines and connection chambers
- High mechanical impact and shock resistance
- Perfect protection against penetration of liquids and dusts
- 3D data for download on the website
- Appropriate Series 8570/22 plug

MY R. STAHL 8570W



R. STAHL Series 8570/25 SolConeX flange sockets constitute incomplete equipment and are intended for installation in an enclosure with the following types of protection: "eb" or "tb". When installed in an enclosure, they are approved for use in hazardous areas that are classified for the zone or division according to NEC 505.

Self-cleaning lamellar contacts provide optimum contact and the plugs can be inserted and removed in the zero position quickly and easily. The load disconnect switch, with a mechanical locking device and a handle that can be locked in the 0 or I position, is an additional safety feature. Thanks to the compact design, the flange socket can be integrated into nearly all enclosures and, with the internal locking device, ensures fast and safe connection of devices.

## Technical Data

### Explosion Protection

Scope of validity	European Union (ATEX) Canada IECEX USA
Application range (Zones)	1 2 21 22
IECEX gas certificate	IECEX PTB 19.0018U
IECEX gas explosion protection	Ex db eb IIC Gb
IECEX dust certificate	IECEX PTB 19.0018U
IECEX dust explosion protection	Ex tb IIIC Db
ATEX gas certificate	PTB 19 ATEX 1005 U
ATEX gas explosion protection	⊕ II 2 G Ex db eb IIC Gb
ATEX dust certificate	PTB 19 ATEX 1005 U
ATEX dust explosion protection	⊕ II 2 D Ex tb IIIC Db
FMus certificate	FM20US0118U
cFM certificate	FM20CA0058U
Marking FMus	Class I, Div. 2, Groups A,B,C,D; Class II, III, Div. 1, Groups E,F,G; Enclosure Type 3, 4, 4X Class I, Zone 1, AEx db eb IIC Gb Zone 21, AEx tb IIIC Db

# Installation equipment

Flange socket 20 A

Flange socket

8570/25-407-S-XX-X-00-XXX Art. No. 290138



## Explosion Protection

Marking cFM	Ex db eb IIC Gb Class I, Div. 2, Groups A,B,C,D; Class II, III, Div. 1, Groups E,F,G; Enclosure Type 3, 4, 4X Ex tb IIIC Db
Certificates	ATEX (PTB), Brazil (ULB), Canada (FM), China (CQST), IECEx (PTB), USA (FM)
Ship approval	DNV

## Electrical Data

Rated operational voltage	480 V AC
Rated operational current	20 A
Electrical service life	> 5x10 <sup>3</sup> switching cycles
Mechanical service life	> 5x10 <sup>3</sup> switching cycles
Type of voltage	Low voltage
Horsepower rating	10 HP
Frequency range	50 / 60 Hz

## Device Specific Data

Back-up fuse with thermal protection	35 A gG
Back-up fuse without thermal protection	20 A gG

## Ambient Conditions

Ambient temperature	-50 °C to +65 °C
Ambient temperature	-58 °F to +149 °F

## Mechanical Data

Degree of protection IP (IEC 60529)	IP66
IP degree of protection (IEC 60079)	IP64
Enclosure type (NEMA250)	3, 4, 4X
Enclosure material	Polyamide, Glass fiber reinforced
Silicone-free	No
Solid connection cross-section	1 x 1.5 mm <sup>2</sup> ... 2 x 6 mm <sup>2</sup>
Connection cross-section AWG single stranded	1 x AWG 16 ... 2 x AWG 10
Finely stranded connection cross-section	1 x 1.5 mm <sup>2</sup> ... 2 x 4 mm <sup>2</sup>
Finely stranded connection cross-section AWG	1 x AWG 16 ... 2 x AWG 12
Width	97 mm
Width in inches	3.82 in
Height	136 mm
Height, inches	5.35 in
Length	208 mm
Length, inches	8.19 in
Impact strength (IEC 60079)	7 J
Impact strength (IEC 62262)	IK10
Color code	Red
Coding (clock hour position)	7
Lockable in	in 0- and I-position
Interlock	Prevents the plug from being pulled under load
Series	SolConeX

# Installation equipment

## Flange socket 20 A

### Flange socket

8570/25-407-S-XX-X-00-XXX Art. No. 290138



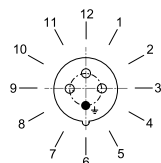
#### Mechanical Data

Detailed number of poles	3-pole, 4 wire
Detailed pole number 2	3 P + PE
Weight	900 g
Weight	1.98 lb

#### Mounting / Installation

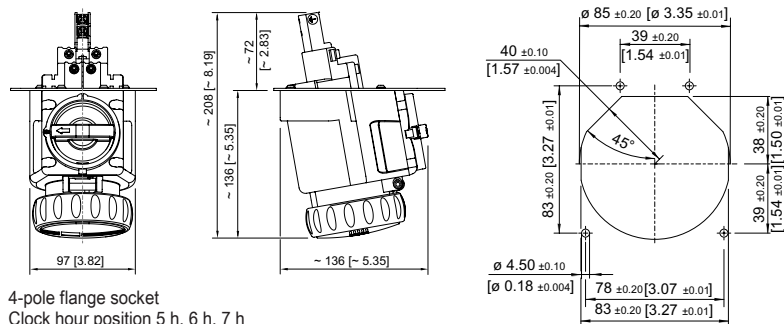
Connection	Screw terminal
------------	----------------

#### Technical Drawings – Subject to Alterations



Position of clock hour position  
Example: 6 h position

#### Dimensional Drawings (All Dimensions in mm [inches]) – Subject to Alterations

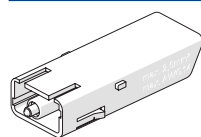


4-pole flange socket  
Clock hour position 5 h, 6 h, 7 h

4-/5-pole flange socket  
Opening figure

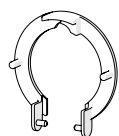
#### Accessories

##### Auxiliary contact optional, pluggable by the user, easy to retrofit



1 NC Max. 500 V AC, max. 110 V DC Max. 6 A 1 x AWG 20 to 2 x AWG 14, 1 x 0.5 to 2 x 2.5 mm <sup>2</sup> , solid/finely stranded	Art. No. 150688
1 NO Max. 500 V AC, max. 110 V DC Max. 6 A 1 x AWG 20 to 2 x AWG 14, 1 x 0.5 to 2 x 2.5 mm <sup>2</sup> , solid/finely stranded	Art. No. 150690
1 NO, gold-plated contact Max. 500 V AC, max. 110 V DC Max. 6 A 1 x AWG 20 to 2 x AWG 14, 1 x 0.5 to 2 x 2.5 mm <sup>2</sup> , solid/finely stranded	Art. No. 150692

##### Dust cover for receptacles, series 8570



Retrofittable dust protection for 3-pole, 4 wire sockets	Art. No. 255003
--	--------------------

## Installation equipment

Flange socket 20 A

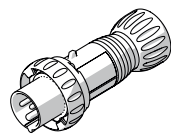
Flange socket

8570/25-407-S-XX-X-00-XXX Art. No. 290138

STAHL

### Plug

### Art. No.



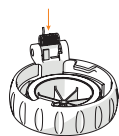
plug, 3-pole, 4 wire, 480 V AC, 50 / 60 Hz, 20 A

291379

### Spare Parts

#### Repair set for receptacles series 8570

### Art. No.



8570 3-pole, 4 wire, hinged cover repair set, red

274113

We reserve the right to make alterations to the technical data, dimensions, weights, designs and products available without notice. The illustrations cannot be considered binding.