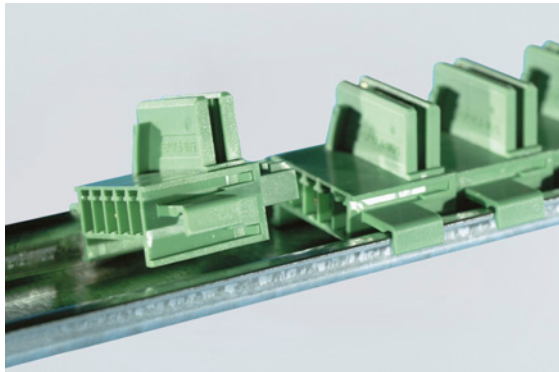


# Isolator Barriers

pac-Bus single element

ISpac

9194/31-17 Art. No. 160731



- ISpac devices are quick to wire, reducing costs
- Can be installed on standard DIN rails without tools by simply snapping into place – can be expanded at any time
- Suitable for industrial environments subject to vibration

MY R. STAHL 9194A



The pac-Bus 9194/31-17 supplies 30 to 50 ISpac devices of series 91xx. The auxiliary power can be fed into the pac-Bus segment via the connection terminals 9194/50-01. The terminal set also enables reading out the collective error message of ISpac 91xx modules. The supply module 9193/21-11-11 can alternatively be used for a redundant supply and for reading out the collective error message. The pac-Bus can be clipped onto DIN rails NS35/15 and NS35/7.5. The pac-Bus 9194/31-17 can be combined with pac-Bus 9294/31-12.

## Technical Data

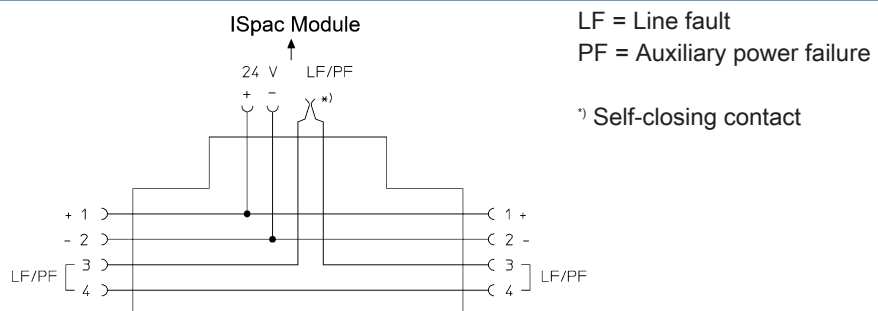
### Explosion Protection

Application range (Zones)	2
IECEX gas certificate	IECEX BVS 10.0042 X
IECEX gas explosion protection	Ex ec IIC T4 Gc
ATEX gas certificate	BVS 03 ATEX E 213 X
ATEX gas explosion protection	Ⓔ II 3 G Ex ec IIC T4 Gc
FMus certificate	FM16US0122X
cFM certificate	FM16CA0067X
Marking cFMus	Class I, Div. 2, Groups A,B,C,D; Class I, Zone 2, Group IIC T4 at Ta = 70°C See Doc. 91 956 01 31 1
Certificates	ATEX (BVS), Brazil (ULB), Canada (FM), China (NEPSI), IECEX (BVS), India (PESO), USA (FM)
Ship approval	CCS, EU RO MR (DNV)
Declaration of Conformity	ATEX (EUK), China (CCC)

### Electrical Data

Connections	using pac-Bus terminal set 9194/50-01 or supply module 9193/21-11-11.
-------------	---

Connection diagram



# Isolator Barriers

pac-Bus single element

ISpac

9194/31-17 Art. No. 160731



## Auxiliary Power

Nominal voltage $V_{nom}$	24 V DC
Nominal current	4 A

## Ambient Conditions

Ambient temperature °C	-20 °C ... +70 °C
Ambient temperature °F	-4°F ... +158°F -4°F ... +158°F
Storage temperature °C	-40 °C ... +80 °C
Storage temperature °F	-40°F ... +176°F
Max. relative humidity	95%
Use at the height of	< 2000 m

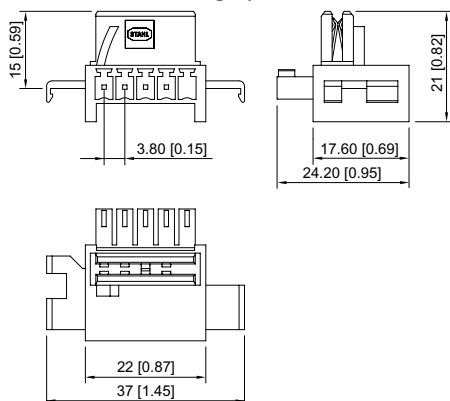
## Mechanical Data

Degree of protection (IP) terminals	IP20
Fire resistance (UL 94)	V0
Enclosure material	PA 6.6
Grid dimension	17.6 mm
Width	17.6 mm
Width, inches	0.69 in
Height	20.3 mm
Height, inches	0.82 in
Length	36.3 mm
Length, inches	1.45 in
Mounting depth, inches	0.82 in
Weight	4 g
Weight	0.01 lb

## Mounting / Installation

Mounting type	DIN rail NS35/15, NS35/7.5
Mounting orientation	Horizontal Vertical

## Dimensional Drawings (All Dimensions in mm [inches]) – Subject to Alterations



Series 9194

## Accessories

Supply module

Art. No.

# Isolator Barriers

pac-Bus single element

ISpac

9194/31-17 Art. No. 160731



Redundant supply of 24 V DC auxiliary power (with fuse) and reading out the collective error message from Series 92xx ISpac modules which support this function.  
Spring clamp terminal connection

268184

We reserve the right to make alterations to the technical data, dimensions, weights, designs and products available without notice. The illustrations cannot be considered binding.