

8265/66-0000 Art. No. 202091



- Six basic enclosure sizes, optional inspection windows
- International certification, wide temperature range, seawater-resistant light-metal enclosure
- Empty enclosure
- Custom entries available upon request
- For use in Class I, Div. 1 & 2

MY R. STAHL 8265K



R. STAHL series 8265 are explosionproof and dust-ignitionproof empty enclosures globally certified. The large cover opening allows easier access for mounting and maintenance of components within the enclosure. The cover is also available with a window. R. STAHL can install various equipment in the enclosure including arc and sparking components according to customer requirements. Check with your R. STAHL representative to see if your specified equipment can be mounted in the enclosure.

Technical Data

Explosion Protection

Application range (Zones)	1 2 21 22
IECEX gas certificate	IECEX PTB 07.0027 U
IECEX gas explosion protection	Ex db eb IIC Gb
IECEX dust certificate	IECEX PTB 07.0027 U
IECEX dust explosion protection	Ex tb IIIC Db
ATEX gas certificate	PTB 06 ATEX 1023 U
ATEX gas explosion protection	Ex II 2 G Ex db eb IIC Gb
ATEX dust certificate	PTB 06 ATEX 1023 U
ATEX dust explosion protection	Ex II 2 D Ex tb IIIC Db
Certificate ULus	E307783
Marking ULus	Class I, Div. 1, Groups A,B,C,D Class II,III, Div. 1, E, F, G Class I, Zone 1, Group IIC Enclosure Type 3, 4, 4X
Certificate cUL	E307783
Marking cUL	Class I, Zone 1, Group IIC Class I, Div. 1, Groups A,B,C,D Class II,III, Div. 1, E, F, G Enclosure Type 3, 4, 4X
Marking Notes	also for installation in Class I, II & III, Div. 2
Certificates	ATEX (PTB), Canada / USA (UL), Canada (UL), IECEX (PTB), USA (UL)

Ambient Conditions

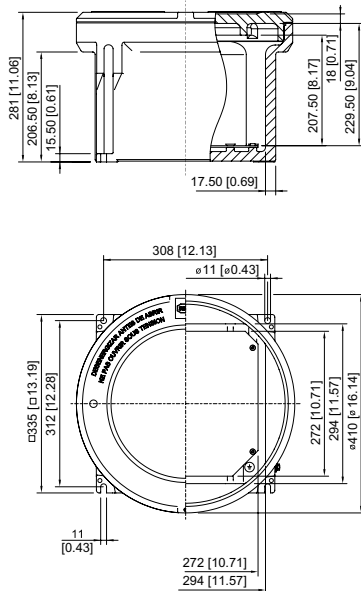
Ambient temperature °C	-25 °C ... +50 °C
Ambient temperature °F	-13°F ... +122°F

8265/66-0000 Art. No. 202091

Mechanical Data

Degree of protection (IP)	IP54
Degree of protection note	IP66 with O-ring silicone
Enclosure type (NEMA250)	3, 4, 4X
Enclosure material	Aluminium, copper-free, Seawater-resistant
Enclosure color	without
Clamping range max.	120 mm ²
Cover	without window
Version	Without entry
Width	335 mm
Width in inches	13.19 in
Height	281 mm
Height, inches	11.06 in
Length	335 mm
Length, inches	13.19 in
Diameter	410 mm
Diameter inch	16.14 in
Enclosure size	6
Weight	27.8 kg
Weight	61.35 lb


Dimensional Drawings (All Dimensions in mm [inches]) – Subject to Alterations



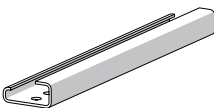
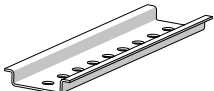
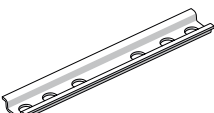
Enclosure size 6 without inspection window

Accessories

Threaded cover without window

		Art. No.
	Enclosure: 8265/6-0000	143476

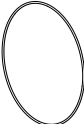
8265/66-0000 Art. No. 202091

Mounting rail		Art. No.
	G32 length: 280 mm [11.02 in] for enclosure size 6	166450
	TS35 length: 280 mm [11.02 in] for enclosure size 6	166449
	TS15 length: 280 mm [11.02 in] for enclosure size 6	166448

Mounting plate for 8265 GUB size 6		Art. No.
	for enclosure size 6 M5 x 8 screws are included.	316182

Set screw		Art. No.
	M5 x 16 mm, stainless steel Allen screw with point to secure the cover	110216

Spare Parts

O-ring		Art. No.
	silicone, for enclosure size 6	305633

We reserve the right to make alterations to the technical data, dimensions, weights, designs and products available without notice. The illustrations cannot be considered binding.