

Isolator Barriers

pac-Carrier

ISpac

9195/16H-XX0-01C Art. No. 209268



- Prefabricated system cables for field terminal boards (FTB) make it quick and easy to install – simply snaps onto a DIN rail or mounting plate
- Can be used with the Emerson Delta V, Schneider Foxboro/Tricon, Honeywell C300, Siemens ET200M and ET200F, Yokogawa Centum VP and ProSafe-RS
- All ISpac isolators 91xx can be used in the pac-Carrier

MY R. STAHL 9195A



The 9195 series pac-Carrier is a cost-effective solution allowing Ex i field devices to be connected to common I/O modules of distributed control systems and programmable logic controllers. The extremely robust carrier is suitable for 8 or 16 standard ISpac isolators and can process 32 signals, including a combination of Ex i and non-Ex i signals. It can be adapted to accommodate new I/O modules at any time. The carrier can be combined with the 9192 series HART Mux.

Technical Data

Explosion Protection

| | |
|--------------------------------|--|
| Application range (Zones) | 2 |
| IECEX gas certificate | IECEX BVS 10.0042 X |
| IECEX gas explosion protection | Ex ec nC IIC T4 Gc |
| ATEX gas certificate | BVS 03 ATEX E 213 X |
| ATEX gas explosion protection | Ex II 3 G Ex ec nC IIC T4 Gc |
| FMus certificate | FM16US0122X |
| cFM certificate | FM16CA0067X |
| Marking cFMus | Class I, Div. 2, Groups A,B,C,D; Class I, Zone 2, Group IIC T4 at Ta = 70°C See Doc. 91 956 01 31 1 |
| Certificates | ATEX (BVS), Brazil (ULB), Canada (FM), China (NEPSI), IECEX (BVS), India (PESO), SIL (exida), USA (FM) |
| Ship approval | CCS, EU RO MR (DNV) |
| Declaration of Conformity | ATEX (EUK), China (CCC) |

Functional Safety

| | |
|---|----------|
| SIL | 3 |
| HFT | 0 |
| SFF | 91,06% |
| PFD _{avg} at T _{proof} 1 year | 2,04E-06 |
| PFD _{avg} at T _{proof} 5 years | 1,02E-05 |
| PFD _{avg} at T _{proof} 10 years | 2,04E-05 |

Electrical Data

| | |
|--------------------|----------------|
| Type of signal | DI, DO, AI, AO |
| Number of channels | 32 |
| LFD relay | Yes |

Isolator Barriers

pac-Carrier

ISpac

9195/16H-XX0-01C Art. No. 209268



Electrical Data

| | |
|--|---|
| I/O type | any |
| Redundancy | No |
| Connections | HART interface via 9192 HART multiplexer |
| HART-multiplexer connection | Yes |
| Number of channels field device interface (HART) | 8, 16, 32 |
| Fuse | 2 x TR5; T 2 A; interchangeable, for a primary and redundant power supply |

Auxiliary Power

| | |
|------------------------------|----------------------|
| Auxiliary power | 24 V DC |
| Nominal voltage V_{nom} | 24 V DC |
| Redundant supply | Yes, diode-decoupled |
| Polarity reversal protection | Yes |
| Operation indication | Green PWR1, PWR2 LED |

Input

| | |
|--|--|
| Line fault and loss of power signalization | Contact (30 V / 100 mA) closed to ground in case of fault pac-Bus, floating contact (30 V / 100 mA) |
|--|--|

Output

| | |
|--|---------------|
| Fault message contact switching capacity | 30 V / 100 mA |
|--|---------------|

Ambient Conditions

| | |
|-------------------------------|---|
| Ambient temperature °C | -20 °C ... +70 °C |
| Ambient temperature °F | -4°F ... +158°F |
| Storage temperature °C | -40 °C ... +80 °C |
| Storage temperature °F | -40°F ... +176°F |
| Max. relative humidity | 95% |
| Use at the height of | < 2000 m |
| Electromagnetic compatibility | Tested to the following standards and regulations: EN 61326-1 For use in industrial areas; NAMUR NE 21 |

Mechanical Data

| | |
|---------------------------|---------|
| Degree of protection (IP) | IP00 |
| Number of slots | 16 |
| Grid dimension | 17.6 mm |
| Width | 292 mm |
| Width, inches | 11.5 in |
| Height | 150 mm |
| Height, inches | 5.91 in |
| Length | 155 mm |
| Length, inches | 6.1 in |
| Weight | 843 g |
| Weight | 1.86 lb |

Isolator Barriers

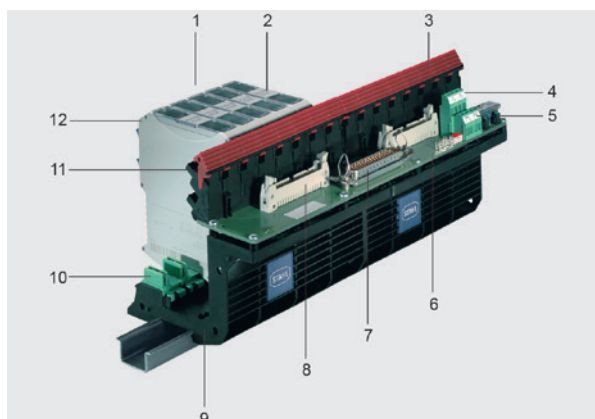
pac-Carrier

ISpac

9195/16H-XX0-01C Art. No. 209268



Construction drawing

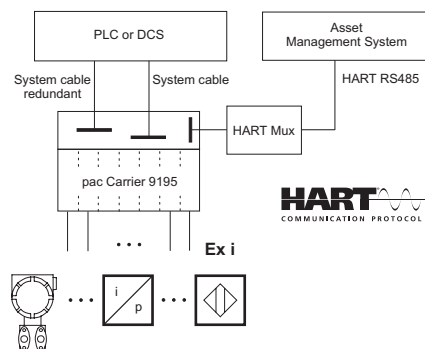


1. Carrier for 8 or 16 modules (32 channels)
2. Labelling of the modules, slot, carrier
3. Ejection mechanism (with screwdriver)
4. Redundant and protected power supply
5. Auxiliary power failure and line fault reporting via relay
6. System-specific PCB
7. System-specific plug
8. Signal multiplication and/or HART multiplexer connection
9. For DIN rail or mounting plate
10. Integrated pac-Bus for auxiliary power and line fault reporting
11. Secure locking mechanism, can be operated without tools
12. Individual sockets, any mix of signals

Mounting / Installation

| | |
|------------------------------------|---------------------------|
| Mounting type | DIN rail or wall mounting |
| Mounting orientation | Vertical Horizontal |
| Connection type | Screw terminal |
| Min. rigid conductor cross section | 0.14 mm ² |
| Max. rigid conductor cross section | 1.5 mm ² |
| Min. flex conductor cross section | 0.14 mm ² |
| Max. flex conductor cross section | 1.5 mm ² |
| Connection cross-section AWG | 26 – 16 |

Technical Drawings – Subject to Alterations



System configuration

Isolator Barriers

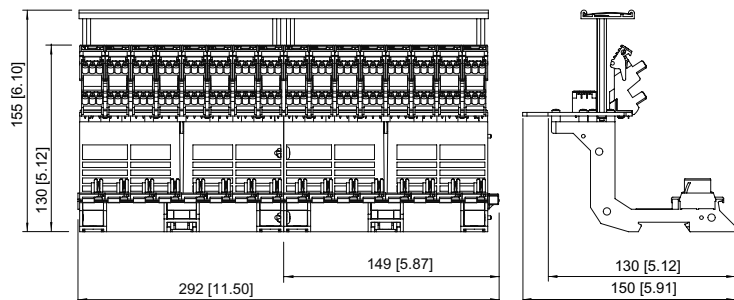
pac-Carrier

ISpac

9195/16H-XX0-01C Art. No. 209268



Dimensional Drawings (All Dimensions in mm [inches]) – Subject to Alterations



Type 9195/16-...-..., 16 slots

Accessories

Non-Ex i termination module

Art. No.



The termination module enables non-Ex i field circuits to be integrated into the type 9195 pac-Carrier solution. This makes it possible to flexibly combine Ex i and non-Ex i field circuits in one pac-Carrier.

165683

We reserve the right to make alterations to the technical data, dimensions, weights, designs and products available without notice. The illustrations cannot be considered binding.