

Explosion Protected Stainless Steel Control Stations 8150 Series

CONTROL & SIGNALING STATIONS



CONTROL STATIONS



8150 Features:

- Attractive space efficient design
- Enclosures made of stainless steel for excellent corrosion resistance
- Snap-on mounting of individual components
- High illumination LED pilot lights from 12 V to 240 V, AC or DC with an operating lifetime over 100,000 hours
- A variety of pushbuttons, control switches and illuminated pushbuttons
- Durable silicone foamed enclosure gaskets are concealed to protect from damage or premature aging by UV light and chemicals
- Fluorsilicate gasket in standard pushbutton actuators is suitable for a wide temperature range
- Globally Certified, one part number provides Class I, Division 2, ATEX and IECEx Zone 1 certifications
- Also available in EAC, INMETRO, KGS, and others



Explosion Protection by R. STAHL sales.us@r-stahl.com



CLASSIFICATIONS

NEC[®]

Class I, Zones 1 & 2
AEx db eb IIC T6 Gb
Class I, Division 2, Groups A,B,C,D
Class II, Division 2, Groups F,G
Class III Enclosure
Type 3,4 & 4X; IP66

Canadian Electrical Code

Class I, Zones 1 & 2
Ex db eb IIC T6 Gb
Class I, Division 2, Groups A,B,C,D
Class II, Division 2, Groups F,G
Class III

 File No. E182378
LISTED

ATEX

 II 2 G Ex db eb IIC T6 Gb
 II 2 D Ex tb IIIC T80°C - IP66

IECEX

Ex db eb IIC T6 Gb
Ex tb IIIC T80°C - IP66

Ambient Temperature Range:

-50°C (-58°F) Min.
+60°C (+140°F) Max.

Special Ambient Temperature Range:*

*Consult Factory

316L Stainless Steel with silicone foamed recessed gasketing.

CONTROL & SIGNALING STATIONS

The ConSig 8150 Series is a new generation of control and signaling stations utilizing explosion protected components with stainless steel enclosures for the ultimate flexibility, safety and durability in Hazardous (Classified) and Hostile (Corrosive) Locations.

This control and signaling station utilizes snap-on mounted components making field assembly quick and easy. Components include contact blocks with a variety of actuator options, LED pilot lights in all of the standard colors and voltages from 12 V to 240 V AC / DC, 2-pole and 4-pole control switches configurations.

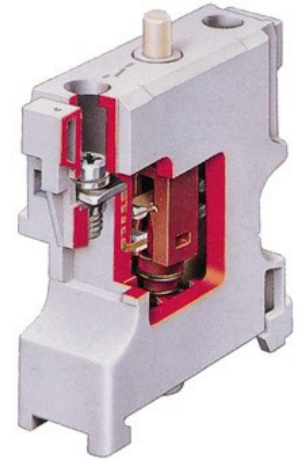
Enclosures

ConSig 8150 Series can be specified as one, two or three gang configurations and is made of stainless steel. Enclosure gasketing is durable silicone foamed which is concealed to protect it from premature aging by UV light and chemical elements. Components snap-on to the rail provided.

Contact Blocks

The contact system incorporates 8082 Series contact blocks which are individually explosion-protected, single-pole units and are available as 1 NO or 1 NC.

The contact blocks incorporate a parallel bridge contact (H-contact) designed to ensure utmost contact reliability even with very low control voltages and currents. Any combination can be installed to provide a complete range of control configurations. Standard actuator styles include a double pushbutton and illuminated pushbutton.



LED Pilot Lights

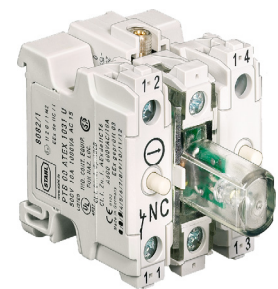
ConSig 8150 Series introduces an extraordinary compact LED pilot light unit. The 8010 Series pilot light incorporates electronics which allow the same unit to operate at any voltage from 12 to 240 V AC / DC. High output LEDs are used to provide superior illumination levels which are visible in direct sunlight from the front or side. The bezel is clear and the snap-on lenses are added in the colors red, green, amber, white, and blue.

Control Switches

8008 Series control switches offer over 300 different switching configurations. They are available as 2-pole and 4-pole units incorporating maintained or spring return action. The control switch is for quick and easy snap-on mounting. Three styles of handles, with or without padlocking provision can be used in conjunction with the switches.

Illuminated Pushbuttons

Illuminated pushbuttons make it possible to have control and signaling functions in the space of one. This is achieved by combining the 8082 Series Contact Blocks and 8010 Series LED Pilot Lights under a special illuminated pushbutton actuator which is spring return with a clear bezel and five colored snap-on lenses in red, green, amber, white, and blue.



CONTROL & SIGNALING STATIONS

316 Stainless Steel
Construction for Excellent
Corrosion Resistance

Captive Stainless Steel
Tri-Drive Screws
No Loose Bolts

Choose From One Of
Hundreds of Operator
Combinations


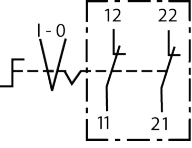
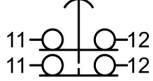

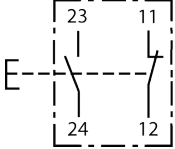
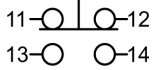

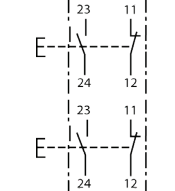
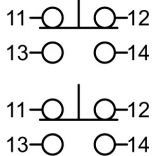

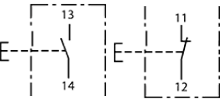
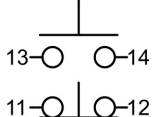

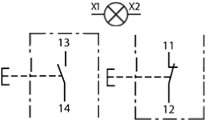
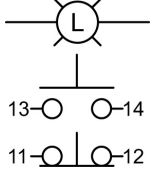

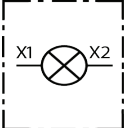

Globally Certified For:
Class I, Division 2, Zone 1
ATEX / IECEx Zone 1
Available in:
CU-TR, INMETRO
KGS, and more upon requests

No Conduit Seals Required

3/4" Standard NPT Conduit Hub




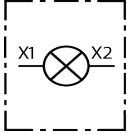
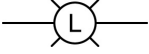

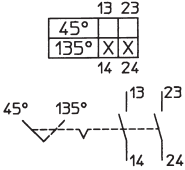
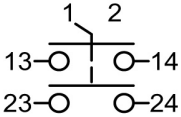

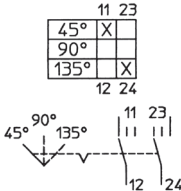
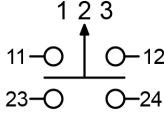

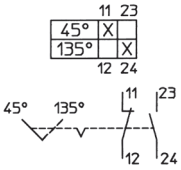
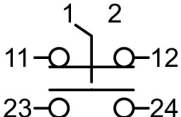

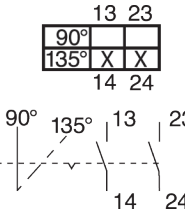
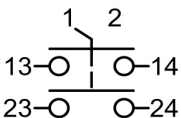

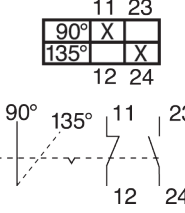
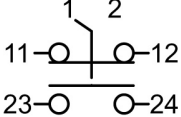

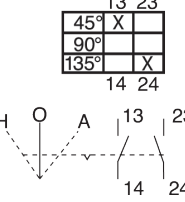
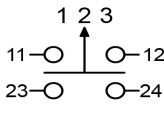
Ordering Information

| | Function | | Contact Symbols | | Catalog Number | Article / SAP Number |
|---|--|---|---|--|-----------------------|----------------------|
| | | | IEC | NEMA | | |
|  | "E-STOP" RED JUMBO Mushroom Maintained 2 NC | |  |  | 8150/5-124-C150 | 285432 |
|  | "START" Momentary Green Pushbutton 1 NO + 1 NC | |  |  | 8150/5-124-U011 | 285446 |
|  | "START" Momentary Green Pushbutton 1 NO + 1 NC | "STOP" Momentary Red Pushbutton 1 NO + 1 NC |  |  | 8150/5-224-U011-U012 | 285439 |
|  | "START" Momentary Double PB 1 NO | "STOP" Momentary Double PB 1 NC |  |  | 8150/5-124-U2312 | 285437 |
|  | "PILOT LIGHT" RED LED 12 V- 240 V AC / DC | "START-STOP" Momentary Double PB 1 NO / 1 NC |  |  | 8150/5-224-PLR0-U2312 | 285438 |
|  | "PILOT LIGHT" RED LED 12 V - 240 V AC / DC | |  |  | 8150/5-124-PLR0 | 285436 |

All above stations include one 3/4" hub bottom.

PRE-CONFIGURED CONTROL STATIONS

Ordering Information

| | Function | Contact Symbols | | Catalog Number | Article / SAP Number |
|---|--|---|--|-------------------|----------------------|
| | | IEC | NEMA | | |
|  | "PILOT LIGHT" GREEN LED 12 V - 240 V AC / DC |  |  | 8150/5-124-PLG0 | 285435 |
|  | "OFF- ON" Maintained Control Switch 2-pos. / 2-pole 10 amps |  |  | 8150/5-124-L021 | 285443 |
|  | "H - O - A" Maintained Control Switch 3-pos. / 2- pole 10 amps |  |  | 8150/5-124-L273 | 285434 |
|  | "LOCAL REMOTE" Maintained Control Switch 2-pos. / 2-pole 10 amps |  |  | 8150/5-124-L164 | 285445 |
|  | "OFF- ON" Maintained Selector Switch 2-positions 10 amps |  |  | 8150/5-124-02MN1 | 285441 |
|  | "LOCAL REMOTE" Maintained Selector Switch 2-positions 10 amps |  |  | 8150/5-124-U2MN4 | 285442 |
|  | "H - O - A" Maintained Selector Switch 3-positions 10 amps |  |  | 8150/5-124-03MMN3 | 285433 |

All above stations include one 3/4" hub bottom.



CUSTOM CONFIGURATION LOGIC

Start Here

| ConSig | Enclosure | |
|-----------------------------------|----------------------------|------------------------------|
| Control Station 8150/5- | Enclosure Type (____) | Entry or Entries (____) |

CLASSIFICATIONS

NEC- Class I, Zones 1 & 2
 AEx db eb IIC T6 Gb
 Class I, Division 2, Groups A,B,C,D
 Class II, Division 2, Groups F,G
 Class III Enclosure
 Type 3,4 & 4X; IP66

CEC- Class I, Zones 1 & 2
 Ex db eb IIC T6 Gb
 Class I, Division 2, Groups A,B,C,D
 Class II, Division 2, Groups F,G
 Class III

US File No. E182378
 LISTED

ATEX

II 2 G Ex db eb IIC T6 Gb
 II 2 D Ex tb IIIC T80°C - IP66

IECEx

Ex db eb IIC T6 Gb
 Ex tb IIIC T80°C - IP66

Ambient Temperature Range:

-50°C (-58°F) Min.
 +60°C (+140°F) Max.

Special Ambient Temperature Range:*

*Consult Factory

316L stainless steel with silicone foamed recessed gasketing.

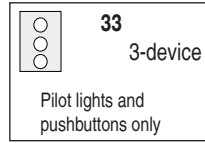
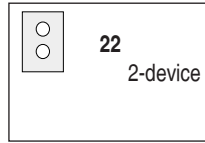
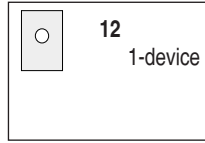
FEATURES

The 8150 Series of control & signaling stations with its many enclosure sizes and components is uniquely flexible.

How to use configuration logic tables:

Fill in the blanks from left to right in the light blue striped fields located on the top of pages F5 and F6 using the information stated below in the individual fields.

- Step 1:** Select enclosure type
- Step 2:** Select entry or entries
- Step 3:** Select the device mounted to the cover as well as the device mounted into the back box.
- Step 4:** Repeat step 3 when configuring a two-device station.
- Step 5:** Repeat step 3 when configuring a three-device station.



Entry Type:

Conduit Hub

- 0** = 1/2" Hub Top Feed
- 1** = 1/2" Hub Bottom Feed
- 2** = 1/2" Hub Feed-Thru
- 3** = 3/4" Hub Top Feed
- 4** = 3/4" Hub Bottom Feed
- 44** = 2x 3/4" Hub Bottom Feed
- 5** = 3/4" Hub Feed-Thru

Compression Gland - FOR IECEx / ATEX only Non-Metallic Cable Glands

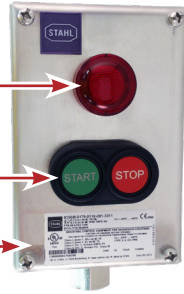
- J** = M20 Gland Bottom Feed
- K** = M20 Gland Feed-Through
- 6** = M25 Gland Top Feed
- 7** = M25 Gland Bottom Feed
- 8** = M25 Gland Feed-Thru
- 9** = Special (specify)*

* For additional options regarding these entries see the Accessories Section in the catalog.

CUSTOM CONFIGURATION LOGIC

| Device Specification (1, 2 or 3 devices described from top to bottom) | | |
|---|----------------------------|---------------------------|
| First or only position (_____) | Second position (_____) | Third position (_____) |

Example
8150/5-224 - PLR0 - U2312



| Pushbuttons | | |
|--|--|---|
| Contact type X = 1 NO Y = 1 NC U = 1 NO / 1 NC O = 2 NO C = 2 NC M = 2 NC / 1 NO W = 1 NC / 2 NO T = 3 NC R = 3 NO D* = 2 NO / 2 NC | Actuator type 01 = Standard Momentary 03 = Black Momentary Small Mushroom 09 = Keyed E-STOP Red Mushroom Maintained 10 = E-STOP Red Small Mushroom Maintained 12 = Black Small Mushroom Maintained 15 = E-STOP Red Jumbo Mushroom Maintained 23 = Double Pushbutton Momentary P733 = Device Close-up Plug | Legend 0 = none 1 = START 2 = STOP 3 = ON 4 = OFF 5 = RUN 6 = RESET 7 = OPEN 8 = CLOSE 9 = special (specify) |

*For four contact block arrangements please confirm layout with the factory.

| Pushbutton Lockouts/Guards |
|--|
| LK01 = Momentary Lockout (01) |
| LK02 = Momentary Exclusion (01) |
| LK03 = Small Yellow Mushroom Guard (09, 10 & 12) |
| LK10 = Small Mushroom Lockout (10 & 12) |
| LK11 = Small Mushroom Pin & Chain Lockout (10 & 12) |
| LK20 = Small Mushroom Exclusion Lockout (03, 10 & 12) |
| LK21 = Momentary Pushbutton (01) exclusion |

| Selector Switches | | | |
|--|--|--|--|
| X = 1 N.O. Y = 1 N.C. U = 1 N.O./ 1 N.C. O = 2 N.O. C = 2 N.C. | 2SK 2MK 3SSK 3MMK 3SMK 3MSK | 2SN 2MN 3SSN 3MMN 3SMN 3MSN | 2SL 2ML 3SSL 3MML 3SML 3MSL |

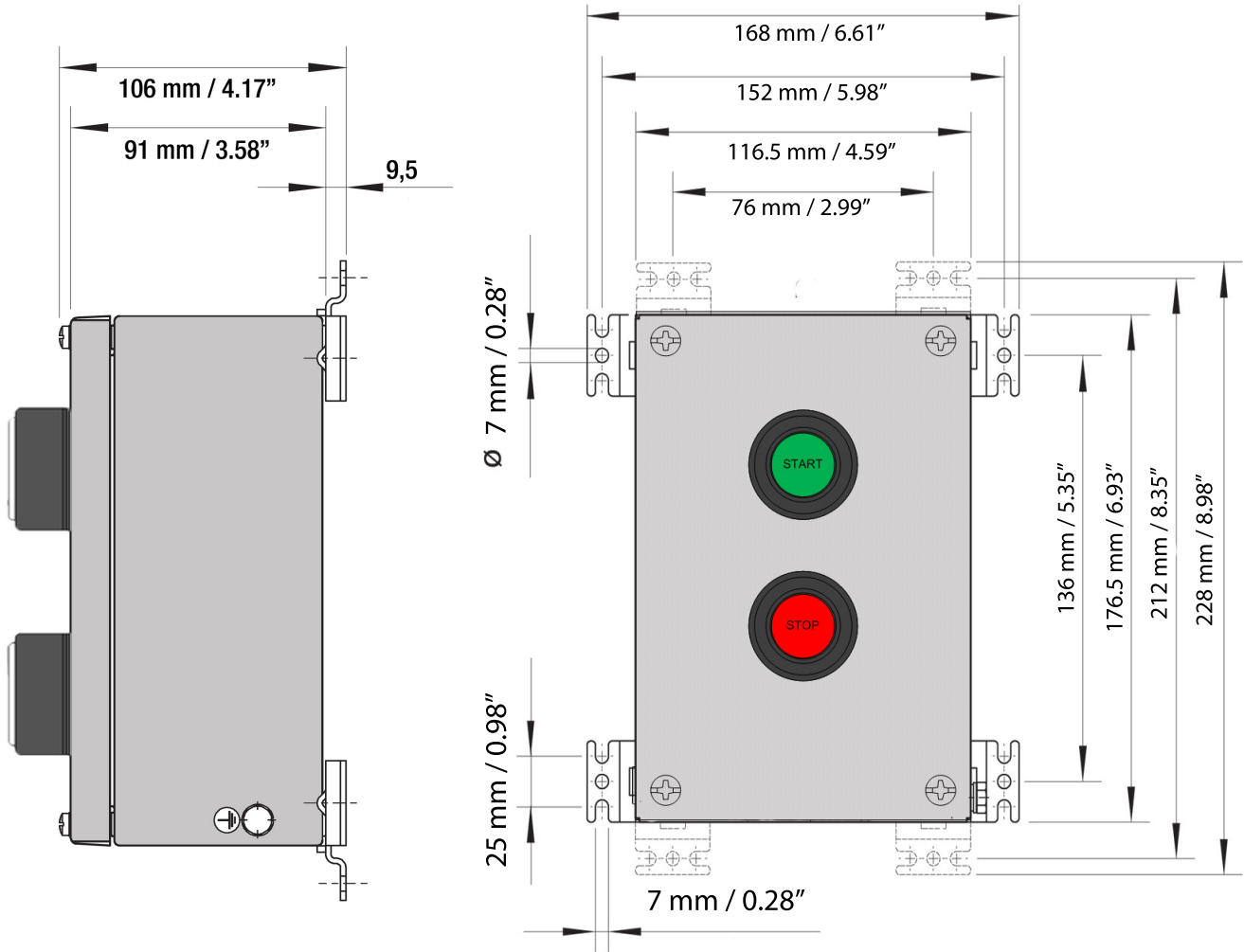
Note:
For Actuator Descriptions (see page F38)

| Pilot Lights | | |
|--------------|--|---------------------------------------|
| PL | Color A = amber B = blue G = green R = red W = white | Legend Same # as pushbutton |

| Control Switches | | |
|--|--|---|
| Actuator type N = Non-lockable S = Small-lockable L = Large lockable | Switch arrangements 2-pole 02 = 2-pos. Maintained (OFF-ON) 05 = 2-pos. Maintained (ON-OFF) 16 = 2-pos. Maintained (LOCAL-REMOTE) 27 = 3-pos. Maintained (HAND-O-AUTO) 38 = 3-pos. Maint., Spring Return from Right (OFF-RUN-START) Switch arrangements 4-pole 102 = 2-pos. OFF-ON 106 = 2-pos. LOCAL-REMOTE 119 = 3-pos. HOA <small>For more switching arrangements see pgs.F41 and F42.</small> | Legend 0 = none 1 = OFF-ON 2 = ON-OFF 3 = HAND-O-AUTO 4 = LOCAL-REMOTE 5 = STOP-RUN-START 6 = O - I 7 = blank one line text 8 = blank two lines text 9 = special (specify) |

| Illuminated Pushbuttons | | | |
|--|---|--|--|
| Spring return SR SG SA SW SB | Colors red green amber white blue | Contact type X = 1 N.O. Y = 1 N.C. U = 1 N.O. / 1 N.C. O = 2 N.O. C = 2 N.C. | Legend Same # as pushbuttons |

Dimensions in mm / inches



Explosion Protected Stainless Steel Control Stations 8150 Universal Mounting Series

CONTROL & SIGNALING STATIONS



CONTROL STATIONS



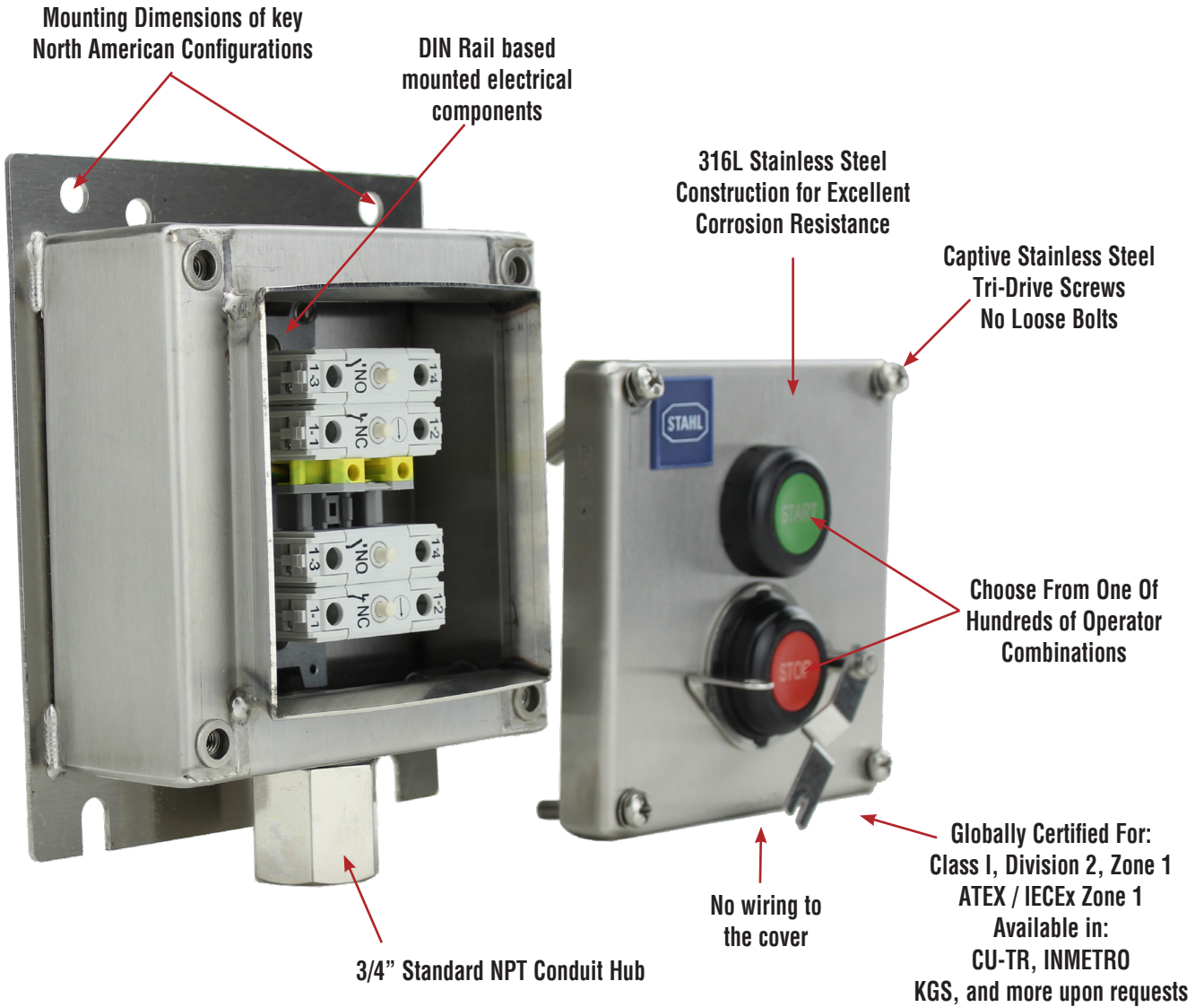
8150/5-V40-CSS Features:

- Enclosures are designed with mounting dimensions of key North American Configurations
- Enclosures made of 316L stainless steel for excellent corrosion resistance
- Snap-on mounting of individual components
- High illumination LED pilot light from 12 V to 240 V, AC or DC with an operating lifetime over 100,000 hours
- A variety of pushbuttons, control switches and illuminated pushbuttons
- Durable silicone foamed enclosure gaskets are concealed to protect from damage or premature aging by UV light and chemicals
- Globally Certified, one part number provides Class I, Division 2, ATEX and IECEx Zone 1 certifications
- Also available in EAC, INMETRO, KGS, and others



Explosion Protection by R. STAHL sales.us@r-stahl.com


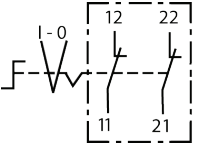
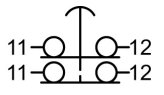

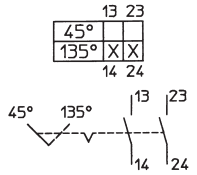
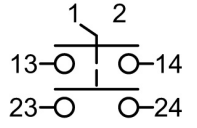

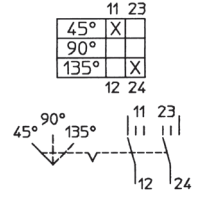
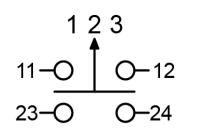

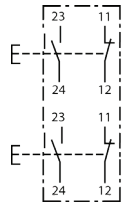
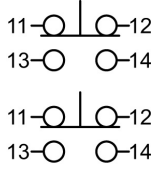

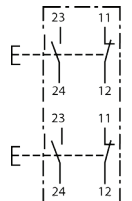
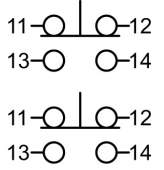
F8



- No Conduit Seals Required
- Easy Troubleshooting
- Enhanced Electrical Safety
- Lockout Devices Available

PRE-CONFIGURED CONTROL STATIONS

Ordering Information

| | Function | Contact Symbols | | Catalog Number | Article / SAP Number | |
|---|--|--|--|--|---------------------------------------|---------------|
| | | IEC | NEMA | | | |
|  | "E-STOP" RED JUMBO Mushroom Maintained 2 N.C. |  |  | 8150/5-V40-CSS- 124-C150 | 301292 | |
|  | "OFF - ON" Maintained Control Switch 2-Pos. / 2-Pole 10 amps |  |  | 8150/5-V40-CSS- 124-L021 | 301293 | |
|  | "H -O-A" Maintained Control Switch 3-Pos. / 2-Pole 10 amps |  |  | 8150/5-V40-CSS- 124-L273 | 301294 | |
|  | "START" Momentary Green Pushbutton 1 N.O. / 1 N.C. | "STOP" Momentary Red Pushbutton 1 N.O. / 1 N.C. |  |  | 8150/5-V40-CSS- 224-U011-U012 | 301295 |
|  | "START" Momentary Green Pushbutton 1 N.O. / 1 N.C. | "STOP" Momentary Red Lockout Pushbutton 1 N.O. / 1 N.C. |  |  | 8150/5-V40-CSS- 224-U011-U012-LK01 | 301296 |

All above stations include one 3/4" hub bottom.



CUSTOM CONFIGURATION LOGIC

Start Here

| | | |
|-----------------------------------|----------------------------|------------------------------|
| ConSig | Enclosure | |
| Control Station 8150/5-V40-CSS | Enclosure Type (____) | Entry or Entries (____) |

CLASSIFICATIONS

NEC- Class I, Zones 1 & 2
 AEx db eb IIC T6 Gb
 Class I, Division 2, Groups A,B,C,D
 Class II, Division 2, Groups F,G
 Class III Enclosure
 Type 3,4 & 4X; IP66

CEC- Class I, Zones 1 & 2
 Ex db eb IIC T6 Gb
 Class I, Division 2, Groups A,B,C,D
 Class II, Division 2, Groups F,G
 Class III

US File No. E182378
 LISTED

ATEX

II 2 G Ex db eb IIC T6 Gb
 II 2 D Ex tb IIIC T80°C - IP66

IECEx

Ex db eb IIC T6 Gb
 Ex tb IIIC T80°C - IP66

Ambient Temperature Range:
 -50°C (-58°F) Min.
 +60°C (+140°F) Max.

Special Ambient Temperature Range:*
 *Consult Factory

316L stainless steel with silicone foamed recessed gasketing.

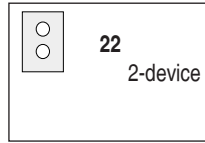
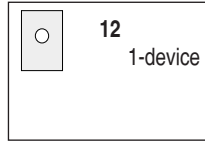
FEATURES

The 8150 Series of control & signaling stations with its many enclosure sizes and components is uniquely flexible.

How to use configuration logic tables:

Fill in the blanks from left to right in the light blue striped fields located on the top of pages F11 and F12 using the information stated below in the individual fields.

- Step 1:** Select enclosure type
- Step 2:** Select entry or entries
- Step 3:** Select the device mounted to the cover as well as the device mounted into the back box.
- Step 4:** Repeat step 3 when configuring a two-device station.
- Step 5:** Repeat step 3 when configuring a three-device station.



Entry Type:

Conduit Hub

- 0 = 1/2" Hub Top Feed
- 1 = 1/2" Hub Bottom Feed
- 2 = 1/2" Hub Feed-Thru
- 3 = 3/4" Hub Top Feed
- 4 = 3/4" Hub Bottom Feed
- 44 = 2x 3/4" Hub Bottom Feed
- 5 = 3/4" Hub Feed-Thru

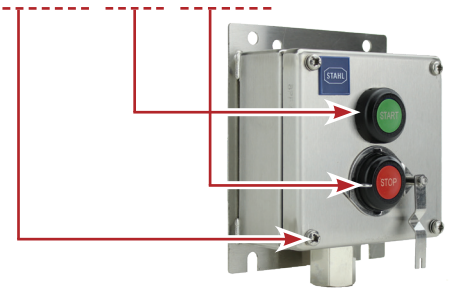
Compression Gland - FOR IECEx / ATEX only Non-Metallic Cable Glands

- J = M20 Gland Bottom Feed
 - K = M20 Gland Feed-Through
 - 6 = M25 Gland Top Feed
 - 7 = M25 Gland Bottom Feed
 - 8 = M25 Gland Feed-Thru
 - 9 = Special (specify)*
- * For additional options regarding these entries see the Accessories Section in the catalog.

CUSTOM CONFIGURATION LOGIC

Example
8150/5-V40-CSS-224 - U011 - U012-LK01

| Device Specification (1, 2 or 3 devices described from top to bottom) | | |
|---|----------------------------|---------------------------|
| First or only position (_____) | Second position (_____) | Third position (_____) |



| Pushbuttons | | |
|--|--|-----------------------|
| Contact type | Actuator type | Legend |
| X = 1 N.O. | 01 = Standard Momentary | 0 = none |
| Y = 1 N.C. | 03 = Black Momentary Small Mushroom | 1 = START |
| U = 1 N.O. / 1 N.C. | 09 = Keyed E-STOP Red Mushroom Maintained | 2 = STOP |
| O = 2 N.O. | 10 = E-STOP Red Small Mushroom Maintained | 3 = ON |
| C = 2 N.C. | 12 = Black Small Mushroom Maintained | 4 = OFF |
| M = 2 N.C. / 1 N.O. | 15 = E-STOP Red Jumbo Mushroom Maintained | 5 = RUN |
| W = 1 N.C. / 2 N.O. | 23 = Double Pushbutton Momentary | 6 = RESET |
| T = 3 N.C. | P733 = Device Close-up Plug | 7 = OPEN |
| R = 3 N.O. | | 8 = CLOSE |
| D* = 2 N.O. / 2 N.C. | | 9 = special (specify) |
| *For four contact block arrangements please confirm layout with the factory. | | |

| Pushbutton Lockouts/Guards |
|--|
| LK01 = Momentary Lockout (01) |
| LK02 = Momentary Exclusion (01) |
| LK03 = Small Yellow Mushroom Guard (09, 10 & 12) |
| LK10 = Small Mushroom Lockout (10 & 12) |
| LK11 = Small Mushroom Pin & Chain Lockout (10 & 12) |
| LK20 = Small Mushroom Exclusion Lockout (03, 10 & 12) |
| LK21 = Momentary Pushbutton (01) exclusion |

| Selector Switches | | | |
|----------------------------|-------------|-------------|--|
| X = 1 N.O. | 2SK | 2SN | 2SL |
| Y = 1 N.C. | 2MK | 2MN | 2ML |
| U = 1 N.O. / 1 N.C. | 3SSK | 3SSN | 3SSL |
| O = 2 N.O. | 3MMK | 3MMN | 3MML |
| C = 2 N.C. | 3SMK | 3SMN | 3SML |
| | 3MSK | 3MSN | 3MSL |
| | | | Note: For Actuator Descriptions (see page F38) |

| Pilot Lights | | |
|--------------|------------------|----------------------|
| PL | Color | Legend |
| | A = amber | Same # as pushbutton |
| | B = blue | |
| | G = green | |
| | R = red | |
| | W = white | |

| Control Switches | | |
|---------------------------|---|--------------------------|
| Actuator type | Switch arrangements 2-pole | Legend |
| N = Non-lockable | 02 = 2-pos. Maintained (OFF-ON) | 0 = none |
| S = Small-lockable | 05 = 2-pos. Maintained (ON-OFF) | 1 = OFF-ON |
| L = Large lockable | 16 = 2-pos. Maintained (LOCAL-REMOTE) | 2 = ON-OFF |
| | 27 = 3-pos. Maintained (HAND-O-AUTO) | 3 = HAND-O-AUTO |
| | 38 = 3-pos. Maint., Spring Return from Right (OFF-RUN-START) | 4 = LOCAL-REMOTE |
| | For more switching arrangements see page F41. | 5 = STOP-RUN-START |
| | | 6 = O - I |
| | | 7 = blank one line text |
| | | 8 = blank two lines text |
| | | 9 = special (specify) |

| Illuminated Pushbuttons | | | |
|-------------------------|--------|----------------------------|-----------------------|
| Spring return | Colors | Contact type | Legend |
| SR | red | X = 1 N.O. | Same # as pushbuttons |
| SG | green | Y = 1 N.C. | |
| SA | amber | U = 1 N.O. / 1 N.C. | |
| SW | white | O = 2 N.O. | |
| SB | blue | C = 2 N.C. | |

ConSig 8040 Series

CONTROL & SIGNALING STATIONS

CONTROL STATIONS

STAHL

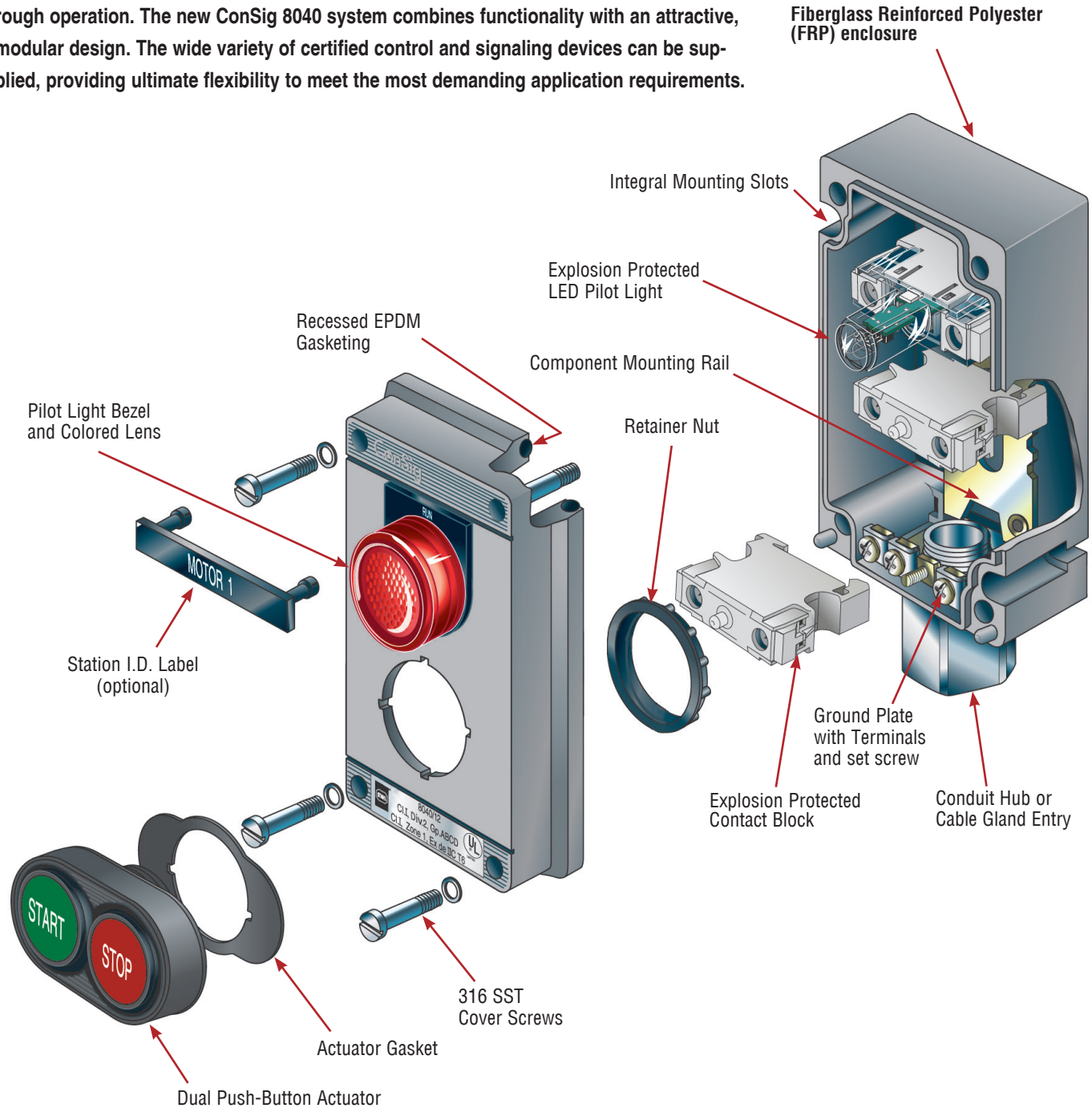


8040 Features:

- Attractive space efficient design
- A variety of enclosure sizes made of Fiberglass Reinforced Polyester (FRP)
- Snap-on mounting of individual components
- High illumination LED pilot light from 12 V to 240 V, AC or DC with an operating life time over 100,000 hours
- A variety of pushbuttons, control switches and illuminated pushbuttons
- Durable EPDM enclosure gaskets are concealed to protect from damage or premature aging by UV light and chemicals
- Fluorsilicate gasket in standard pushbuttons and actuators is suitable for a wide temperature range
- Globally Certified, one part number provides Class I, Division 2, ATEX and IECEx Zone 1 certifications
- Also available in EAC, INMETRO, KGS, and others

ConSig "PUTS YOU IN CONTROL"

R. STAHL is setting new standards for function, design and technology with ConSig 8040 Series of control and signaling stations. Designed for complex industrial conditions and rough operation. The new ConSig 8040 system combines functionality with an attractive, modular design. The wide variety of certified control and signaling devices can be supplied, providing ultimate flexibility to meet the most demanding application requirements.



CONTROL & SIGNALING STATIONS

The ConSig 8040 Series is a new generation of control and signaling stations utilizing explosion protected components with non-metallic enclosures for the ultimate flexibility, safety and durability in Hazardous (Classified) and Hostile (Corrosive) Locations.

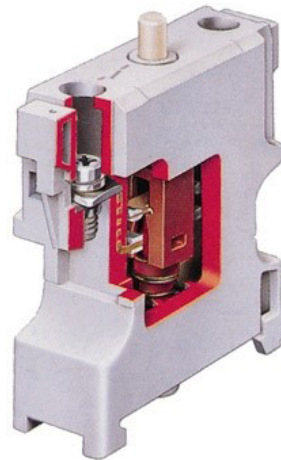
This control and signaling station utilizes snap-on mounted components making field assembly quick and easy. Components include contact blocks with a variety of actuator options, LED pilot lights in all of the standard colors and voltages from 12 V to 254 V AC / DC, 2-pole and 4-pole control switches configurations.

Enclosures

ConSig 8040 Series can be specified as one, two or three gang configurations and is made of Fiberglass Reinforced Polyester (FRP). Enclosure gasketing is durable EPDM which is concealed to protect it from premature aging by UV light and chemical elements. Components snap-on to the rail provided.

Contact Blocks

The contact system incorporates 8082 Series contact blocks which are individually explosion-protected single-pole units and are available as 1 NO or 1 NC. The contact blocks incorporate a parallel bridge contact (H-contact) designed to ensure utmost contact reliability even with very low control voltages and currents. Any combination can be installed to provide a complete range of control configurations. Standard actuator styles include a double pushbutton and illuminated pushbutton.



LED Pilot Lights

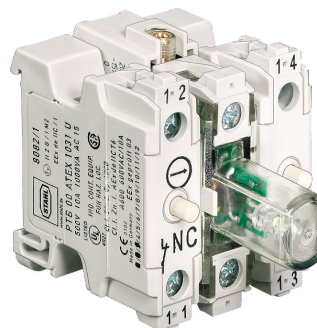
ConSig 8040 Series introduces an extraordinary compact LED pilot light unit. The 8010 Series pilot light incorporates electronics which allow the same unit to operate at any voltage from 12 to 240 V AC / DC. High output LEDs are used to provide superior illumination levels which are visible in direct sunlight from the front or side. The bezel is clear and the snap-on lenses are added in the colors red, green, amber, white and blue.

Control Switches

8008 Series control switches offer over 300 different switching configurations. They are available as 2-pole and 4-pole units incorporating maintained or spring return action. The control switch is for quick and easy snap-on mounting. Three styles of handles, with or without padlocking provision can be used in conjunction with the switches.

Illuminated Pushbuttons

Illuminated pushbuttons make it possible to have control and signaling functions in the space of one. This is achieved by combining the 8082 Series Contact Blocks and 8010 Series LED Pilot Lights under a special illuminated pushbutton actuator which is spring return with a clear bezel and five colored snap-on lenses in red, green, amber, white and blue.




CLASSIFICATIONS

NEC- Class I, Zones 1 & 2
 AEx db eb IIC T6 Gb
 Class I, Division 2, Groups A,B,C,D
 Class II, Division 2, Groups F,G
 Class III
 Enclosure Type 3,4 & 4X; IP66

CEC- Class I, Zones 1 & 2
 Ex db eb IIC T6 Gb
 Class I, Division 2, Groups A,B,C,D
 Class II, Division 2, Groups F,G
 Class III
 ENCLOSURES 3, 4 & 4X; IP66

 FILE No. E182378

ATEX

 II 2 G Ex db eb IIC T6 Gb
 II 2 D Ex tb IIIC T80°C - IP66

IECEx

Ex db eb IIC T6 Gb
 Ex tb IIIC T80°C - IP66

Ambient Temperature Range:


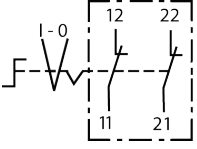
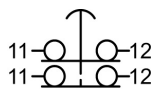

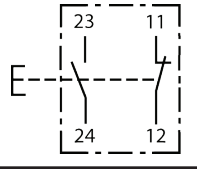
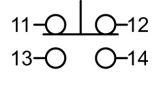

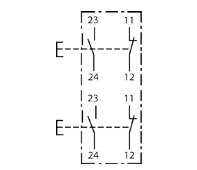
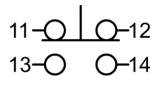
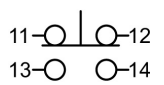

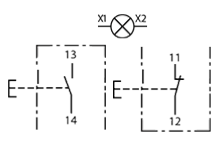
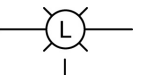
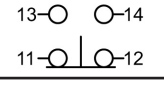

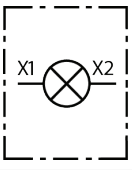
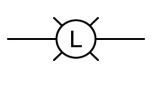

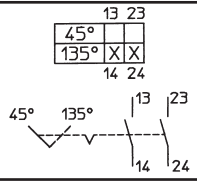
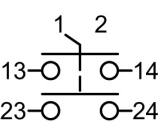

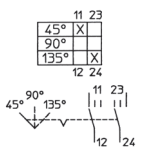
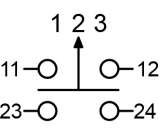

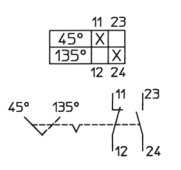
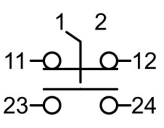

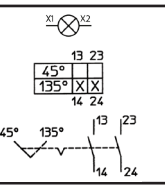
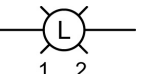
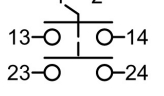
-50°C (-58°F) Min.
 +40°C (+104°F) Max.

Special Ambient Temperature Range:*

*Consult Factory


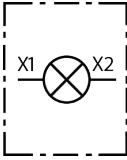
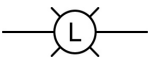

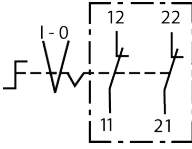
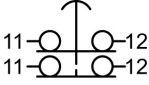

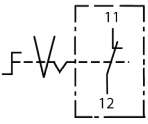


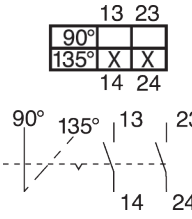
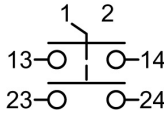

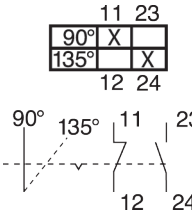
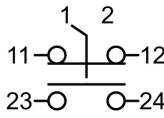

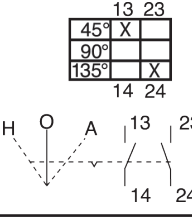
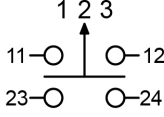

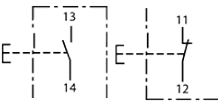
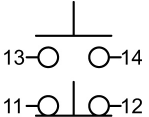


Ordering Information

| | Function | | Contact Symbols | | Catalog Number | Article / SAP Number |
|---|---|--|---|--|---------------------|----------------------|
| | | | IEC | NEMA | | |
|  | "E-STOP" RED JUMBO Mushroom Maintained 2 NC | |  |  | 8040/124-C150 | 287011 |
|  | "START" Momentary Green Pushbutton 1 NO + 1 NC | |  |  | 8040/124-U011 | 287018 |
|  | "START" Momentary Green Pushbutton 1 NO + 1 NC | "STOP" Momentary Red Pushbutton 1 NO + 1 NC |  |   | 8040/224-U011-U012 | 287013 |
|  | "PILOT LIGHT" RED LED 12 V - 240 V AC / DC | "START-STOP" Momentary Double PB 1 NO + 1 NC |  |   | 8040/224-PLR0-U2312 | 287014 |
|  | "PILOT LIGHT" RED LED 12 V - 240 V AC / DC | |  |  | 8040/124-PLR0 | 287017 |
|  | "OFF - ON" Maintained Control Switch 2-pos. / 2-pole 10 amps | |  |  | 8040/124-L021 | 287028 |
|  | "H - O - A" Maintained Control Switch 3-pos. / 2-pole 10 amps | |  |  | 8040/124-L273 | 287029 |
|  | "LOCAL REMOTE" Maintained Control Switch 2-pos. / 10 amps | |  |  | 8040/124-L164 | 287030 |
|  | "PILOT LIGHT" RED LED 12 V - 240 V AC / DC | "OFF-ON" Maintained Control Switch 2-pos. / 2-pole 10 amps |  |   | 8040/224-PLR0-N021 | 287012 |

PRE-CONFIGURED CONTROL STATIONS






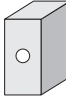

Ordering Information

| | Function | | Contact Symbols | | Catalog Number | Article / SAP Number |
|---|---|--|---|--|--------------------|----------------------|
| | | | IEC | NEMA | | |
|  | "PILOT LIGHT" GREEN LED 12 V - 240 V AC / DC | |  |  | 8040/114-PLG0 | 287010 |
|  | "E-STOP" RED SMALL Mushroom Maintained 2 NC | |  |  | 8040/114-C100-LK03 | 290554 |
|  | "E-STOP" RED JUMBO Mushroom Maintained 1 NC | |  |  | 8040/114-Y150 | 287005 |
|  | "OFF - ON" Maintained Selector Switch 2-pos. / 10 amps | |  |  | 8040/114-02MN1 | 287007 |
|  | "LOCAL REMOTE" Maintained Selector Switch 2-pos. / 10 amps | |  |  | 8040/114-U2MN4 | 287023 |
|  | "H-O-A" Maintained Selector Switch 3-pos. / 10 amps | |  |  | 8040/114-03MMN3 | 287024 |
|  | "START" Momentary Double PB 1 NO | "STOP" Momentary Double PB 1 NC |  |  | 8040/114-U2312 | 287008 |



CUSTOM CONFIGURATION LOGIC

Start Here

| ConSig | Enclosure | |
|---------------------------|---|--|
| Control Station 8040 / | Enclosure Size (___) | Entry or Entries (___) |
| | <div style="border: 1px solid black; padding: 5px; margin-bottom: 5px;">  11 1-device Compact </div> <div style="border: 1px solid black; padding: 5px; margin-bottom: 5px;">  12 1-device Expanded </div> <div style="border: 1px solid black; padding: 5px; margin-bottom: 5px;">  22 2-device </div> <div style="border: 1px solid black; padding: 5px; margin-bottom: 5px;">  64 2-device Expanded </div> <div style="border: 1px solid black; padding: 5px; margin-bottom: 5px;">  33 3-device Pilot lights and push-buttons only </div> <div style="border: 1px solid black; padding: 5px; margin-bottom: 5px;">  73 One 4-pole switch Deep </div> <div style="border: 1px solid black; padding: 5px;">  84 Two 4-pole switches Deep </div> | <p>Entry Type:</p> <p>Conduit Hub 0 = 1/2" Hub Top Feed 1 = 1/2" Hub Bottom Feed 2 = 1/2" Hub Feed-Thru 3 = 3/4" Hub Top Feed 4 = 3/4" Hub Bottom Feed 5 = 3/4" Hub Feed-Thru</p> <p>Compression Gland - FOR IECEx / ATEX only Non-Metallic Cable Glands J = M20 Gland Bottom Feed K = M20 Gland Feed-Through 6 = M25 Gland Top Feed 7 = M25 Gland Bottom Feed 8 = M25 Gland Feed-Thru 9 = Special (specify)* * For additional options regarding these entries see the Accessories Section in the catalog.</p> <p>Threaded Opening - In Internal Ground Plate D = 3/4" NPT plate Top Feed E = 3/4" NPT plate Bottom Feed F = 3/4" NPT plate Feed-Through H = 3/4" NPT plug Feed-Through L = M20 Plate Bottom Feed M = M25 Plate Bottom Feed</p> |

CLASSIFICATIONS

NEC- Class I, Zones 1 & 2
 AEx db eb IIC T6 Gb
 Class I, Division 2, Groups A,B,C,D
 Class II, Division 2, Groups F,G
 Class III
 Enclosure Type 3,4 & 4X; IP66

CEC- Class I, Zones 1 & 2
 Ex db eb IIC T6 Gb
 Class I, Division 2, Groups A,B,C,D
 Class II, Division 2, Groups F,G
 Class III
 ENCLOSURES 3, 4 & 4X; IP66

 FILE No. E182378

ATEX

 II 2 G Ex db eb IIC T6 Gb
 II 2 D Ex tb IIIC T80°C - IP66

IECEX

Ex db eb IIC T6 Gb
 Ex tb IIIC T80°C - IP66

Ambient Temperature Range:

-50°C (-58°F) Min.
 +40°C (+104°F) Max.

Special Ambient Temperature Range:*

*Consult Factory

FRP with EPDM recessed gasketing.

FEATURES

The ConSig 8040 Series of control & signaling stations with its many enclosure sizes and components is uniquely flexible. If the preconfigured control stations do not meet your specific application needs, use the custom configuration logic tables on the right.

How to use configuration logic tables:

Fill in the blanks from left to right in the striped fields located on the top of pages F19 and F20 using the information stated below in the individual fields.

Step 1: Select enclosure size

Step 2: Select entry or entries

Step 3: Select the device mounted to the cover as well as the device mounted into the back box.

Step 4: Repeat step 3 when configuring a two-gang station.

Step 5: Repeat step 3 when configuring a three-gang station.

CUSTOM CONFIGURATION LOGIC

| Device Specification (1, 2 or 3 devices described from top to bottom) | | |
|---|----------------------------|---------------------------|
| First or only position (_____) | Second position (_____) | Third position (_____) |

| Pushbuttons | | |
|---|--|---|
| Contact type X = 1 N.O. Y = 1 N.C. U = 1 N.O. / 1 N.C. O = 2 N.O. C = 2 N.C. M = 2 N.C. / 1 N.O. W = 1 N.C. / 2 N.O. T = 3 N.C. R = 3 N.O. D* = 2 N.O. / 2 N.C. <small>*For four contact block arrangements please confirm layout with the factory.</small> | Actuator type 01 = Standard Momentary 03 = Black Momentary Small Mushroom 09 = Keyed E-STOP Red Mushroom Maintained 10 = E-STOP Red Small Mushroom Maintained 12 = Black Small Mushroom Maintained 15 = E-STOP Red Jumbo Mushroom Maintained 23 = Double Pushbutton Momentary P733 = Device Close-up Plug | Legend 0 = none 1 = START 2 = STOP 3 = ON 4 = OFF 5 = RUN 6 = RESET 7 = OPEN 8 = CLOSE 9 = special (specify) |

| Selector Switches | | | |
|---|--|--|--|
| X = 1 N.O. Y = 1 N.C. U = 1 N.O./ 1 N.C. O = 2 N.O. C = 2 N.C. | 2SK 2MK 3SSK 3MMK 3SMK 3MSK | 2SN 2MN 3SSN 3MMN 3SMN 3MSN | 2SL 2ML 3SSL 3MML 3SML 3MSL |

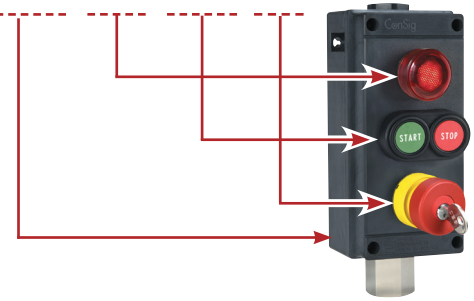
} **Note:**
For Actuator Descriptions (see page F38)

| Pilot Lights | | |
|--------------|---|---------------------------------------|
| PL | Color A = amber B = blue G = green R = red W = white | Legend Same # as pushbutton |

| Control Switches | | |
|---|---|---|
| Actuator type N = Non-lockable S = Small-lockable L = Large lockable | Switch arrangements 2-pole 02 = 2-pos. Maintained (OFF-ON) 05 = 2-pos. Maintained (ON-OFF) 16 = 2-pos. Maintained (LOCAL-REMOTE) 27 = 3-pos. Maintained (HAND-O-AUTO) 38 = 3-pos. Maint., Spring Return from Right (OFF-RUN-START) Switch arrangements 4-pole 102 = 2-pos. OFF-ON 106 = 2-pos. LOCAL-REMOTE 119 = 3-pos. HOA <small>only for deep enclosures 73 & 84</small> For more switching arrangements see pgs. F41 and F42. | Legend 0 = none 1 = OFF-ON 2 = ON-OFF 3 = HAND-O-AUTO 4 = LOCAL-REMOTE 5 = STOP-RUN-START 6 = O - I 7 = blank one line text 8 = blank two lines text 9 = special (specify) |

| Illuminated Pushbuttons | | | |
|---|---|---|--|
| Spring return SR SG SA SW SB | Colors red green amber white blue | Contact type X = 1 N.O. Y = 1 N.C. U = 1 N.O. / 1 N.C. O = 2 N.O. C = 2 N.C. | Legend Same # as pushbuttons |

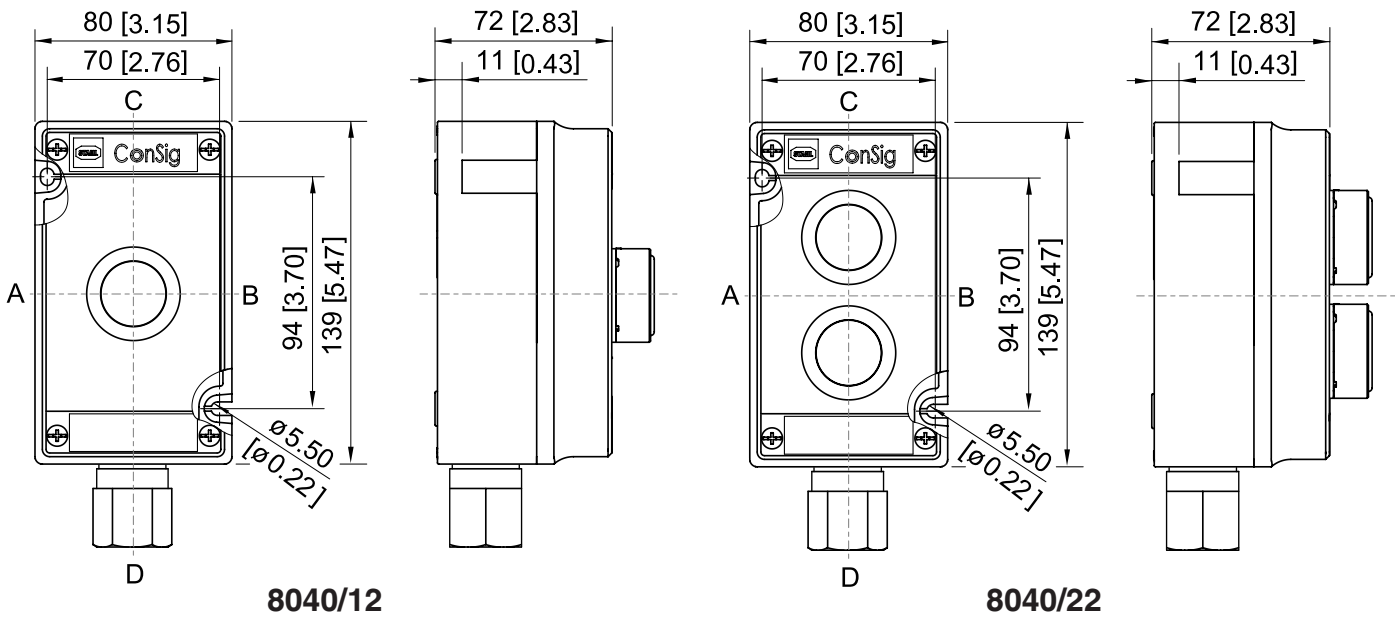
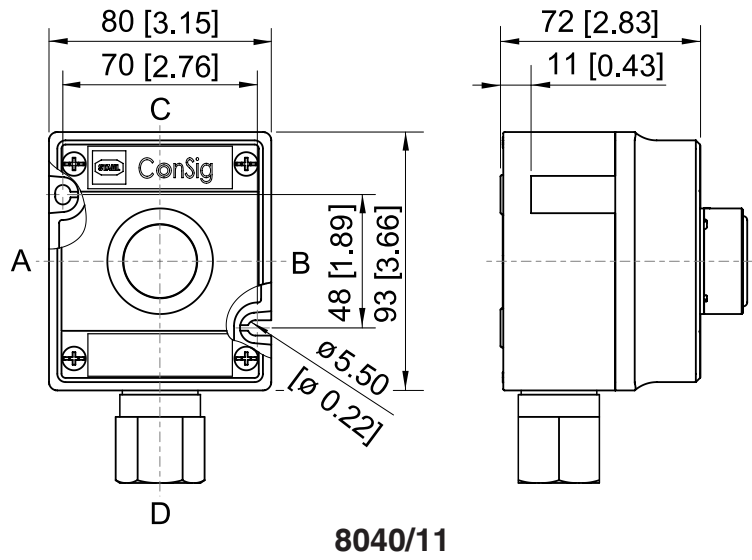
Example
8040/334 - PLR0 - U2312 - Y090



| Pushbutton Lockouts/Guards |
|--|
| LK01 = Momentary Lockout (01) |
| LK02 = Momentary Exclusion (01) |
| LK03 = Small Yellow Mushroom Guard (09, 10 & 12) |
| LK10 = Small Mushroom Lockout (10 & 12) |
| LK11 = Small Mushroom Pin & Chain Lockout (10 & 12) |
| LK20 = Small Mushroom Exclusion Lockout (03, 10 & 12) |
| LK21 = Momentary Pushbutton (01) exclusion |

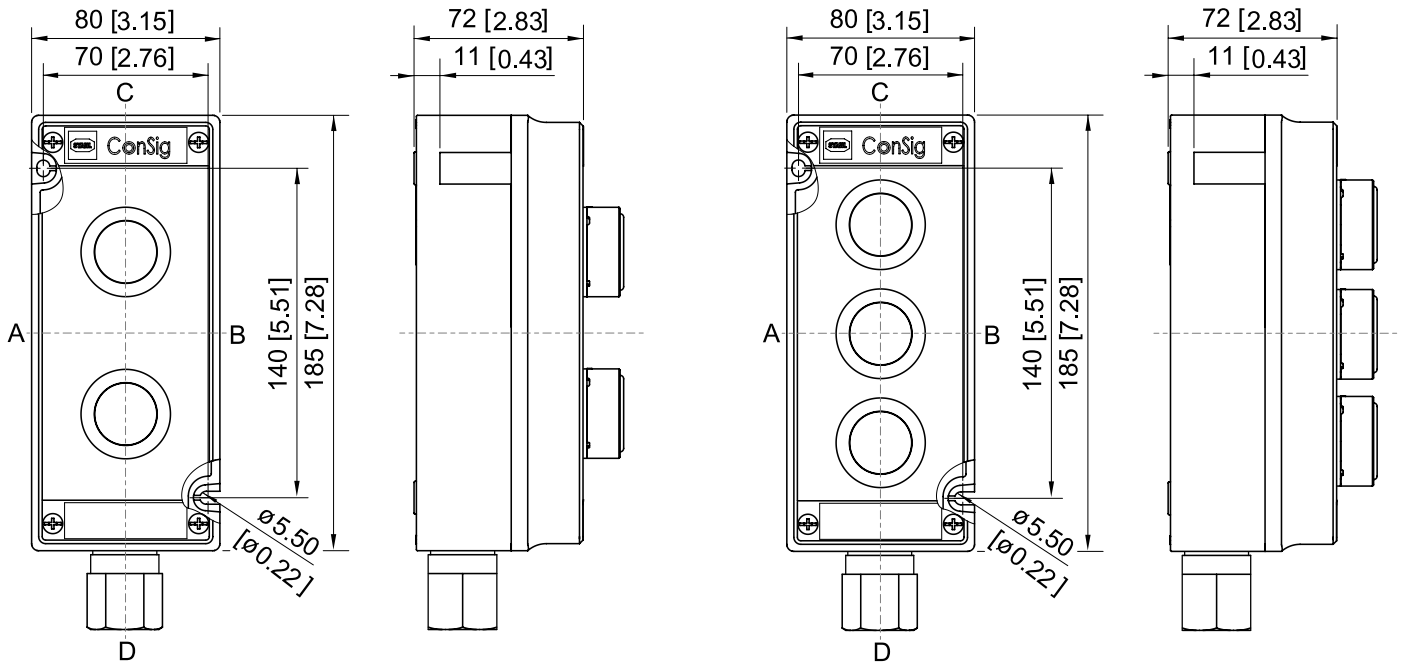
DIMENSIONS

Dimensions in mm [inches]



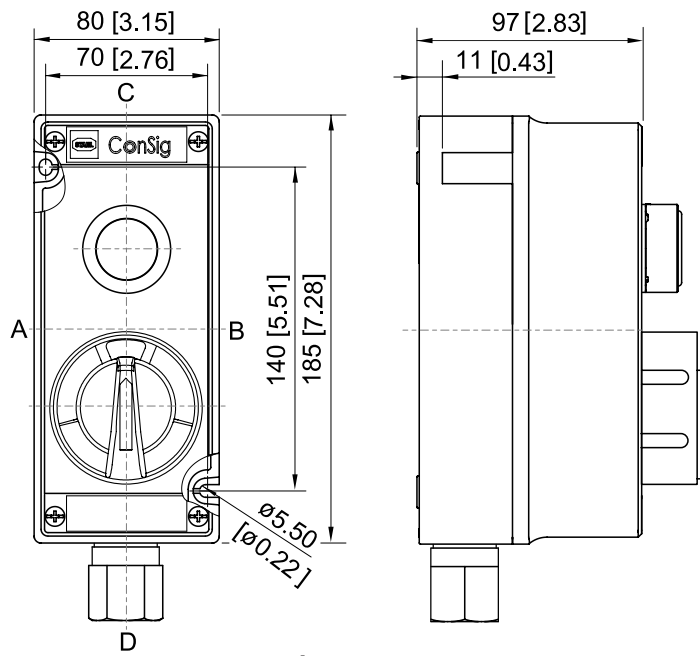
DIMENSIONS

Dimensions in mm [inches]



8040/64

8040/33



8040/73,84

COMPARISON OF CATALOG NUMBER & PRODUCT TYPE

8150 Series

| Article / SAP Number | Catalog Number | Product Type |
|----------------------|-----------------------|---------------------------------|
| 285432 | 8150/5-124-C150 | 8150/5-0176-0116-091-3311-C2425 |
| 285433 | 8150/5-124-O3MMN3 | 8150/5-0176-0116-091-3311-C2426 |
| 285434 | 8150/5-124-L273 | 8150/5-0176-0116-091-3311-C2427 |
| 285435 | 8150/5-124-PLG0 | 8150/5-0176-0116-091-3311-C2428 |
| 285436 | 8150/5-124-PLR0 | 8150/5-0176-0116-091-3311-C2429 |
| 285437 | 8150/5-124-U2312 | 8150/5-0176-0116-091-3311-C2430 |
| 285438 | 8150/5-224-PLR0-U2312 | 8150/5-0176-0116-091-3311-C2431 |
| 285439 | 8150/5-224-U011-U012 | 8150/5-0176-0116-091-3311-C2432 |
| 285441 | 8150/5-124-O2MN1 | 8150/5-0176-0116-091-3311-C2434 |
| 285442 | 8150/5-124-U2MN4 | 8150/5-0176-0116-091-3311-C2435 |
| 285443 | 8150/5-124-L021 | 8150/5-0176-0116-091-3311-C2436 |
| 285445 | 8150/5-124-L164 | 8150/5-0176-0116-091-3311-C2438 |
| 285446 | 8150/5-124-U011 | 8150/5-0176-0116-091-3311-C2439 |

8150/5-V40-CSS Series

| Article / SAP Number | Catalog Number | Product Type |
|----------------------|-----------------------------------|--------------------------------------|
| 301292 | 8150/5-V40-CSS-124-C150 | 8150/5-V40-12E0X-15L07SA03 |
| 301293 | 8150/5-V40-CSS-124-L021 | 8150/5-V40-12E0X-31I02SF01 |
| 301294 | 8150/5-V40-CSS-124-L273 | 8150/5-V40-12E0X-31I06SF12 |
| 301295 | 8150/5-V40-CSS-224-U011-U012 | 8150/5-V40-12E0X-01L12SA05-01L09SA05 |
| 301296 | 8150/5-V40-CSS-224-U011-U012-LK01 | 8150/5-V40-12E0Z-01L12SA05-01L |

8040 Series

| Article / SAP Number | Catalog Number | Product Type |
|----------------------|---------------------|--------------------------------|
| 287005 | 8040/114-Y150 | 8040/11E8X-15L07SA01 |
| 287007 | 8040/114-O2MN1 | 8040/11E8X-26M01SA04 |
| 287008 | 8040/114-U2312 | 8040/11E8X-23D08SA05 |
| 287009 | 8040/114-PLR0 | 8040/11E8X-54C01SA70 |
| 287010 | 8040/114-PLG0 | 8040/11E8X-54C02SA70 |
| 287011 | 8040/114-C150 | 8040/12E8X-15L07SA03 |
| 287012 | 8040/224-PLR0-NO21 | 8040/12E8X-54C01SA70-32G02SF01 |
| 287013 | 8040/224-U011-U012 | 8040/12E8X-01L12SA05-01L09SA05 |
| 287014 | 8040/224-PLR0-U2312 | 8040/12E8X-54C01SA70-23D08SA05 |
| 287017 | 8040/124-PLR0 | 8040/12E8X-54C01SA70 |
| 287018 | 8040/124-U011 | 8040/12E8X-01L12SA05 |
| 287023 | 8040/114-U2MN4 | 8040/11E8Z-26M01SA05 |
| 287024 | 8040/114-O3MMN3 | 8040/11E8Z-26M06SA04 |
| 287028 | 8040/124-L021 | 8040/12E8X-31I02SF01 |
| 287029 | 8040/124-L273 | 8040/12E8X-31I06SF12 |
| 287030 | 8040/124-L164 | 8040/12E8X-31I08SF05 |
| 290554 | 8040/114-C100-LK03 | 8040/11E8-C2494 |