

8568 Series Molded-Case Circuit Breaker

DISTRIBUTION

THERMAL-MAGNETIC Ex MCCBs TO UL 489 & CSA C22.2 No.5



Ordering Information



1-Pole Ex MCCB, 8568 Series		
Amp Rating at Ta = 25°C	Catalog Number 347 V AC or 125 V DC, 10 kAIC	Article Number
15	8568/MCCB-GS101B-15	219818
20	8568/MCCB-GS101B-20	219820
25	8568/MCCB-GS101B-25	240682
30	8568/MCCB-GS101B-30	219821
35	8568/MCCB-GS101B-35	240683
40	8568/MCCB-GS101B-40	219823
45	8568/MCCB-GS101B-45	240684
50	8568/MCCB-GS101B-50	240685
60	8568/MCCB-GS101B-60	219824
70	8568/MCCB-GS101B-70	240686
80	8568/MCCB-GS101B-80	240687
90	8568/MCCB-GS101B-90	240688
100	8568/MCCB-GS101B-100	240689
110	8568/MCCB-GS101B-110	240690
125	8568/MCCB-GS101B-125	240691



2-Pole Ex MCCB, 8568 Series		
Amp Rating at Ta = 25°C	Catalog Number 480 V AC or 125/250 V DC, 10 kAIC	Article Number
15	8568/MCCB-GS102B-15	240692
20	8568/MCCB-GS102B-20	219825
25	8568/MCCB-GS102B-25	240693
30	8568/MCCB-GS102B-30	219826
35	8568/MCCB-GS102B-35	240694
40	8568/MCCB-GS102B-40	219827
45	8568/MCCB-GS102B-45	240695
50	8568/MCCB-GS102B-50	240696
60	8568/MCCB-GS102B-60	219829
70	8568/MCCB-GS102B-70	240697
80	8568/MCCB-GS102B-80	240698
90	8568/MCCB-GS102B-90	240699
100	8568/MCCB-GS102B-100	219830
110	8568/MCCB-GS102B-110	240700
125	8568/MCCB-GS102B-125	240701

Technical Data

Versions	8568/MCCB-GS101B-...A	8568/MCCB-GS102B-...A
----------	-----------------------	-----------------------

Electrical Data

	1-pole	2-pole
No. of poles	1-pole	2-pole
Temperature class	-30 °C ≤ T _{amb} ≤ +40 °C (-22 °F ≤ T _{amb} ≤ +104 °F) 15 to 60 A: T6 70 to 125 A: T5	-30 °C ≤ T _{amb} ≤ +60 °C (-22 °F ≤ T _{amb} ≤ +140 °F)
Rated voltage	IECEX / ATEX: AC: 240 V DC: 125 V NEC: AC: 347 V DC: 125 V	IECEX / ATEX: AC: 240/415 V DC: 125/250 V (2 poles in series) NEC: AC: 480 V DC: 125/250 V (2 poles in series)

CLASSIFICATIONS

NEC®- Class I, Zone 1, AEx db eb IIC T4 ...T6 Gb
Class I, Division 2, Groups A,B,C,D

CEC- Zone 1, Ex db eb IIC T4 ... T6 Gb
Class I, Division 2, per: CEC J18-150



File No. FM19 US 0099X
FM19 CA 0049X

IEC- Zone 1, Ex db eb IIC T4 ... T6 Gb
File No. IECEx FMG 16.0005X

ATEX- Ⓢ II 2G Ex db eb IIC T4 ... T6 Gb
File No. FM 16 ATEX 0005X

Ambient Temperature Range for the location of the equipment installation
+40°C (+104°F) Max.*
-30°C (-22°F) Min.

* For installation up to +60°C (+140°F), consult the factory.

FEATURES

- Method of Protection: Flameproof
1- and 2-Pole with Thermal - Magnetic Branch Circuit Protection
- Terminal Capacity:
15 - 60 amp
6 mm² - 50 mm² (10 AWG - 1/0 AWG)
70 - 125 amp
35 mm² - 95 mm² (2 AWG - 4/0 AWG)
- Designed to UL 489 / CSA-C22.2 No. 5 & IEC 60947-2
- Certified to UL 489 / CSA-C22.2 No. 5

APPLICATIONS

- Power Distribution Panelboards
- Battery DC Power Distribution Systems
- Main Breaker Applications in 120 / 240 V Panels

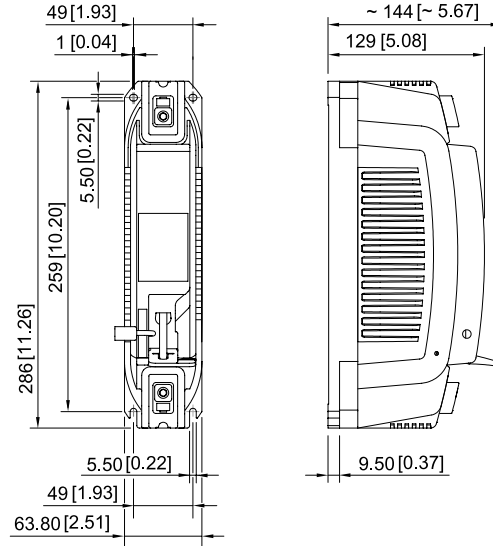


EXPLOSION PROTECTION by R. STAHL 1-800-782-4357

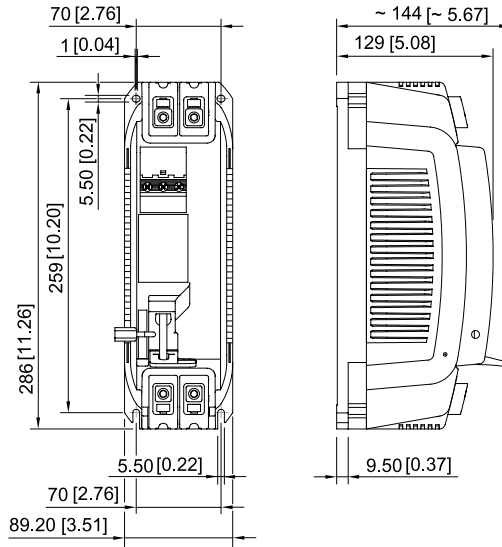
THERMAL-MAGNETIC Ex MCCBs TO UL 489 & CSA C22.2 No.5



Dimensional Drawings in mm [inches] - Subject to Alterations



8568/MCCB 1-pole



8568/MCCB 2-pole

