

Yodalex YL60/FL60/YA60 Series

SIGNALING



Yodalex YL60/FL60/YA60 Series

Features:

- YL60 Football shaped horn/strobe combination unit weighs only 13 pounds
- Omnidirectional high output horn up to 110dB max @ 1 meter (39.37")
- 2 stage alarm, independently selectable 2nd stage
- All units share a common explosionproof housing - machined flame paths
- Meets UL, cUL, EAC, ATEX and IECEx Approvals
- Class I, Div. 1 certified
- ATEX / IECEx Approved for Gas & Dust (Zones 1 & 2, 21 & 22)
- Dual cable entry
- 5 Joule Xenon - flash rate 1 per second
- Weatherproof, flame-retardant ABS compliant horn
- 5 Lens colors in flame-retardant polycarbonate
- 32 selectable tones meeting international regulations
- Easy sound selection via DIP switches
- 10 & 20 Joule Beacon and telephone initiate on ATEX, IECEx models upon request





CLASSIFICATIONS

NEC & CEC

Class I, Division 1, Groups B, C, and D
File No. E161818

II 2G Ex db IIB T4 Gb
II 2G Ex db IIB + H2 T4
II 2D Ex tb IIIC T135°C Db IP66

BASEEFA 02 ATEX 0212 X
BASEEFA 02 ATEX 0222 X

IECEX

Ex db IIB T4 Gb
Ex db IIB + H2 T4
Ex tb IIIC T130°C Db IP66
IECEX BAS 05.0086 X and
IECEX BAS 05.0087 X

Ambient Temperature Range:

+60°C (+140°F) Max.
-20°C (-4°F) Min.

Yodalex YL60 Series

- Explosionproof enclosure made from seawater-resistant aluminium
- Omnidirectional high output sounder
- 5 Joule xenon strobe
- Flash rate 1 Hz
- 2 stage alarm, independently selectable 2nd stage, each with 32 selectable tones in accordance with international regulations
- Independent tone selection using a DIP switch
- Stainless steel lens guard and powder-coated sheet steel mounting bracket included
- NEMA 4X / IP66 rated
- 13.23 lb (6 kg) weight
- SIL 1 IEC61508- 2:2010
- Enclosure color: Red (RAL 3001)



Ordering Information

AC Version: 115 V, 200 mA		
Lens Color	Product Type	Article Number
Amber	YL60/ B/L50/ A/UL	205568
Blue	YL60/ B/L50/ B/UL	205298
Clear	YL60/ B/L50/ C/UL	224224
Green	YL60/ B/L50/ G/UL	239987
Red	YL60/ B/L50/ R/UL	205299
AC Version: 230 V, 100 mA		
Lens Color	Product Type	Article Number
Amber	YL60/ B/N50/ A/UL	205301
Blue	YL60/ B/N50/ B/UL	272618
Clear	YL60/ B/N50/ C/UL	250450
Green	YL60/ B/N50/ G/UL	209044
Red	YL60/ B/N50/ R/UL	212386
DC version: 24 V, 570 mA		
Lens Color	Product Type	Article Number
Amber	YL60/ B/D50/ A/UL	205287
Blue	YL60/ B/D50/ B/UL	205289
Clear	YL60/ B/D50/ C/UL	205291
Green	YL60/ B/D50/ G/UL	214636
Red	YL60/ B/D50/ R/UL	205293

Technical Information

Electrical Connection	
Connection terminals solid AWG max.	AWG 14
Connection terminals solid max.	2.5 mm ²
Connection terminals finely-stranded AWG max.	AWG 14
Connection terminals finely-stranded max.	2.5 mm ²
Mounting / Installation	
Connection type	Screw terminal
Material mounting parts	Sheet steel, powder-coated
Components	
Entries	(1) 1/2" NPT (M20 Entry with M20 male - 1/2" NPT female adapter installed and plugged with dust cap) (1) M20 (plugged with M20 brass plug)
Cable glands	Can be ordered as accessories

- Explosionproof enclosure made from seawater-resistant aluminium
- 5 Joule xenon strobe
- Lens available in seven different colors
- Flash rate 1 Hz
- Stainless steel lens guard and powder-coated sheet steel mounting bracket included
- NEMA 4X / IP66 rated
- 11.2 lb (5.08 kg) weight
- SIL 1 IEC61508- 2:2010
- Enclosure color: Red (RAL 3001)



CLASSIFICATIONS NEC & CEC



Class I, Division 1, Groups B, C, and D
Class II, Division 1, Groups E, F, and G
File No. E188831



II 2G Ex db IIB T4 Gb
II 2G Ex db IIB + H2 T4
II 2D Ex tb IIIC T135°C Db IP66

BASEEFA 02 ATEX 0212 X
BASEEFA 02 ATEX 0222 X

IECEX

Ex db IIB T4 Gb
Ex db IIB + H2 T4
Ex tb IIIC T130°C Db IP66
IECEX BAS 05.0086 X and
IECEX BAS 05.0087 X

Ambient Temperature Range:
+60°C (+140°F) Max.
-20°C (-4°F) Min.

Ordering Information

AC version: 115 V, 90 mA Note: Temporarily Discontinued		
Lens Color	Product Type	Article Number
Amber	FL60/ B/L50/ A/UL	205163
Blue	FL60/ B/L50/ B/UL	205164
Clear	FL60/ B/L50/ C/UL	261246
Green	FL60/ B/L50/ G/UL	269204
Red	FL60/ B/L50/ R/UL	205165
AC version: 230 V, 45 mA Note: Temporarily Discontinued		
Lens Color	Product Type	Article Number
Amber	FL60/ B/N50/ A/UL	212367
Red	FL60/ B/N50/ R/UL	211406

DC version: 24 V, 220 mA		
Lens Color	Product Type	Article Number
Amber	FL60/ B/D50/ A/UL	205156
Blue	FL60/ B/D50/ B/UL	205368
Clear	FL60/ B/D50/ C/UL	205159
Red	FL60/ B/D50/ R/UL	205160

Technical Information

Electrical Connection	
Connection terminals solid AWG max.	AWG 14
Connection terminals solid max.	2.5 mm ²
Connection terminals finely-stranded AWG max.	AWG 14
Connection terminals finely-stranded max.	2.5 mm ²
Mounting / Installation	
Connection type	Screw terminal
Material mounting parts	Sheet steel, powder-coated
Components	
Entries	(1) 1/2" NPT (M20 Entry with M20 male - 1/2" NPT female adapter installed and plugged with dust cap) (1) M20 (plugged with M20 brass plug)
Cable glands	Can be ordered as accessories



CLASSIFICATIONS NEC & CEC

Class I, Division 1, Groups B, C, and D
File No. E161818

II 2G Ex db IIB T4 Gb
II 2G Ex db IIB + H2 T4
II 2D Ex tb IIIC T135°C Db IP66

BASEEFA 02 ATEX 0212 X
BASEEFA 02 ATEX 0222 X

IECEX

Ex db IIB T4 Gb
Ex db IIB + H2 T4
Ex tb IIIC T130°C Db IP66
IECEX BAS 05.0086 X and
IECEX BAS 05.0087 X

Ambient Temperature Range:
+60°C (+140°F) Max.
-20°C (-4°F) Min.

Yodalex YA60 Series

- Explosionproof housing made from seawater-resistant aluminium
- Omnidirectional high output sounder up to 110 dB(A) @ 1 m (39.37") on specific tones
- 2 stage alarm, independently selectable 2nd stage, each with 32 selectable tones in accordance with international regulations
- Independent tone selection using a DIP switch
- Powder-coated sheet steel mounting bracket included
- NEMA 4X / IP66 rated
- 11.9 lb (5.4 kg) weight
- Enclosure color: Red (RAL 3001)



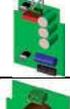
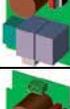
Ordering Information

Voltage	Current	Product Type	Article Number
115V AC	0.11 A	YA60/ B/L/ UL	205204
230V AC	0.055 A	YA60/ B/N/ UL	207054
24 V DC	0.35 A	YA60/ B/D/ UL	205202

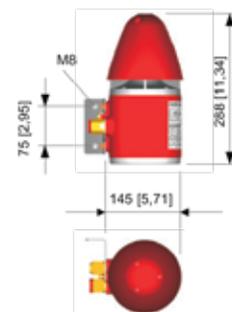
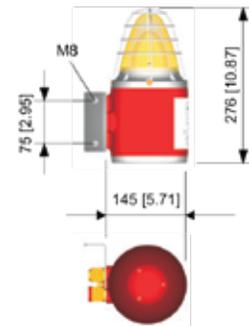
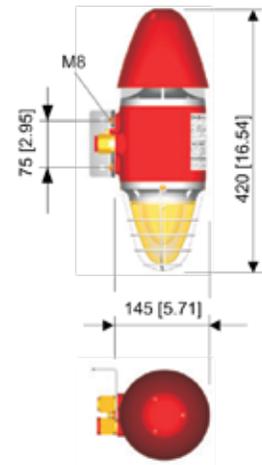
Technical Information

Electrical Connection	
Connection terminals solid AWG max.	AWG 14
Connection terminals solid max.	2.5 mm ²
Connection terminals finely- stranded AWG max.	AWG 14
Connection terminals finely- stranded max.	2.5 mm ²
Mounting / Installation	
Connection type.	Screw terminal
Material mounting parts	Sheet steel, powder-coated
Components	
Entries	(1) 1/2" NPT (M20 Entry with M20 male - 1/2" NPT female adapter installed and plugged with dust cap) (1) M20 (plugged with M20 brass plug)
Cable glands	Can be ordered as accessories

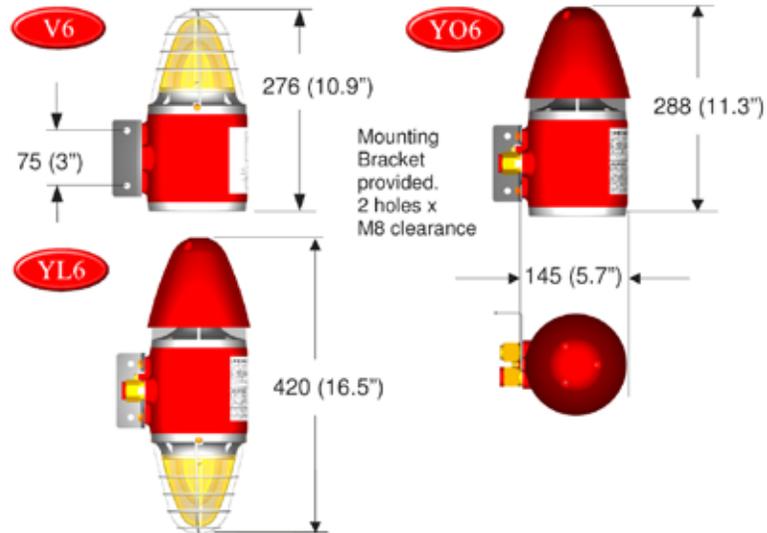
ACCESSORIES

Item	Image	Description	Article Number
Vertical mounting bracket		Stainless steel bracket fixing kit accessories, 0.88 lb (available for YL60, FL60, YA60)	210794
Horizontal mounting bracket		Stainless steel bracket fixing kit accessories, 0.88 lb (available for FL60)	262014
Sun shield		Stainless steel bracket fixing kit accessories, 0.88 lb (available for FL60)	262012
Moulding lens		Amber (available for YL60, FL60) Blue (available for YL60, FL60) Clear (available for YL60, FL60) Green (available for YL60, FL60) Red (available for YL60, FL60)	209400 209401 209402 209403 209405
Emergency light flange		Amber UL spare (available for YL60, FL60) Blue UL spare (available for YL60, FL60) Clear UL spare (available for YL60, FL60) Green UL spare (available for YL60, FL60) Red UL spare (available for YL60, FL60)	209421 209422 209423 209424 209426
Replacement PCB assembly		115 ... 230 V AC / 5 J (available for YL60)	209522
		24 V DC / 5 J (available for YL60)	222970
		115 ... 230 V AC / 5 J (available for FL60)	209503
		24 V DC / 5 J (available for FL60)	222971
		115 ... 230 V AC / 5 J (available for YA60)	209515
		24 V DC / 5 J (available for YA60)	222969

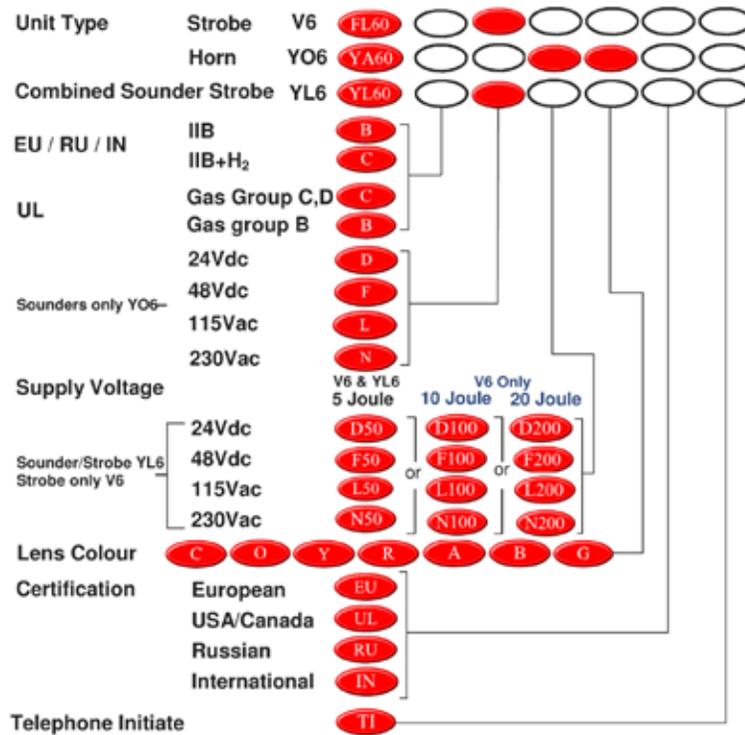
For cable gland options, please contact your R. STAHL representative.



LOGIC



PRODUCT ORDERING CONFIGURATOR - Global Options



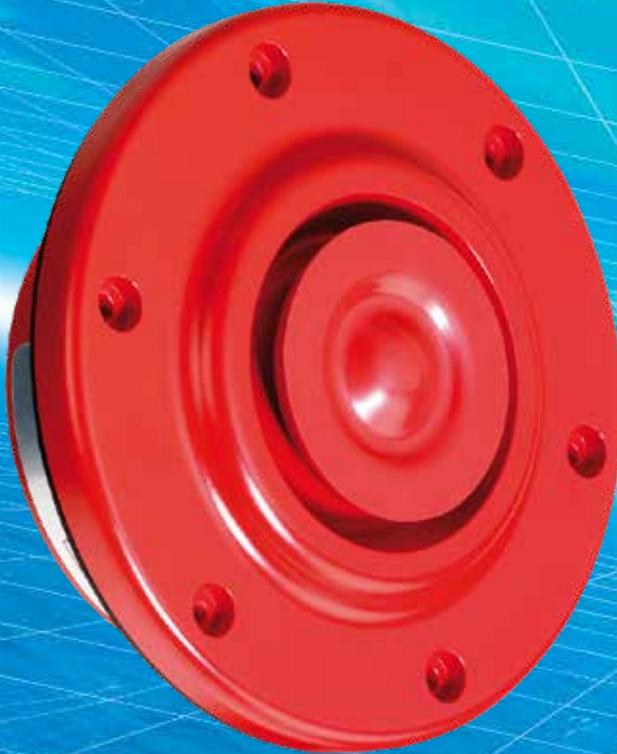
5 Joule beacons & combo units, V6 10 & 20 joule beacons only available with ATEX, or IECEx approval.



YA11 Series

Features:

- YA11 horn ABS/aluminum construction weighs less than 3 pounds
- Low Profile (1.1 inch profile)
- 100dB at 1 meter (39.37")
- NEMA 4x, IP66
- 32 sounds tones available meeting international regulations
- Prewired with 3 meter (118") cable, ready for installation
- Meets UL, cUL, ATEX and IECEx approvals
- Class I, Div. 2 Certified
- ATEX / IECEx approved for Gas & Dust (Zones 2 & 22)
- Sealing gasket and stainless steel hardware provided
- High performance red paint finish as standard
- -40 to +70 °C (-40 to 158 °F) rated





CLASSIFICATIONS

NEC & CEC

Class I, Division 2, Groups A, B, C, and D
File No. E161818

II 3G Ex nA IIC T4 Gc
II 3D Ex tc IIIC T90°C Dc
BASEEFA 10 ATEX 0252 X

IECEX

Ex nA IIC T4 Gc
Ex tc IIIC T90°C Dc IP66
IECEX BAS 11.0058X

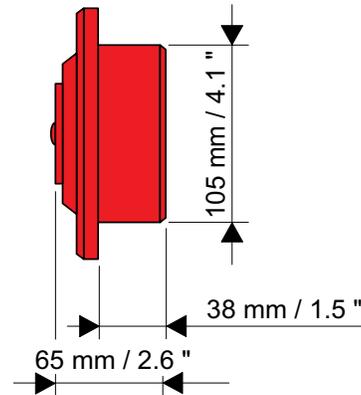
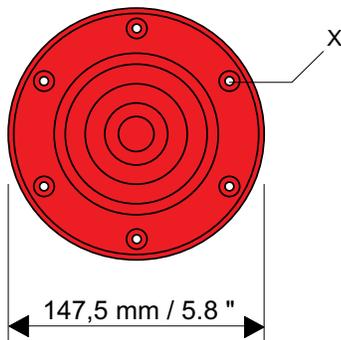
Ambient Temperature Range:
+70°C (+158°F) Max.
-40°C (-40°F) Min.

- Max. sound output 100 dB(A) @ 1 m (39.37")
- Single stage alarm
- 32 sound tones available meeting international regulations
- Low profile (28 mm / 1.1") light-weight aluminum enclosure
- 3 meter (118") 2 core pre-wired cable fitted and prepared ready for installation
- Panel sealing gasket and fixings provided
- 24 V DC operational voltage
- Low current consumption (70 mA)
- NEMA 4X / IP66 rated
- 2.9 lb (1.315 kg) weight
- Enclosure color: Red (RAL 3001)



Made to Stock Configurations

Version	Enclosure Color	Tone	Version	Frequency	Repetition Rate (Sec)	Application	Order Number	Article Number
YA11 Sounder, standard devices	Red standard (R)	01	Alternate two-tone	800-1000	0.5	Fire Alarm – Level Crossing	YA11/1-D-01-RN	288902
		02	Alternate two-tone	2500-3100	0.5	Security Alarms	YA11/1-D-02-RN	288903
		04	Alternate fast two-tone	2500-3100	0.25	Security Deterrent	YA11/1-D-04-RN	288904
		11	Continuous note	1000	-	-	YA11/1-D-11-RN	288905



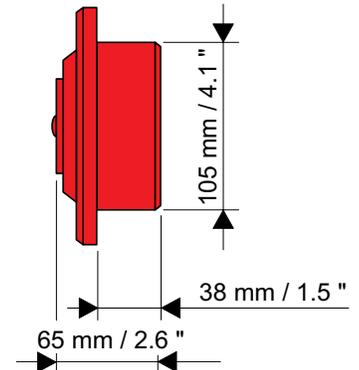
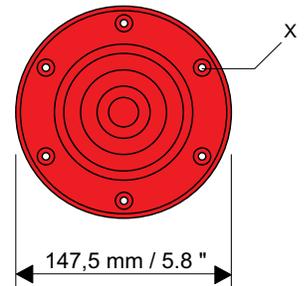
Made to Order Configurations

Version	Enclosure Color	Rated Operational Voltage	Order Number*	Article Number
YA11 Sounder, standard devices	Red standard (R)	18-32 V DC	YA11/1-D-__-RN	211439

***Note:** Customer must specify the required sound tone at the point of ordering. The sound tone cannot be changed by the customer. There are 32 tones available. Please see the order number supplement below. For example if tone 18 is required, please use the order number YA11/1-D-18-RN.

Tone Table

Tone No.	Version	Frequency	Repetition Rate (Sec)	Special Application
Tone 01	Alternate two-tone	800-1000	0.5	Fire alarms - Level crossing
Tone 02	Alternate two-tone	2500-3100	0.5	Security alarms
Tone 03	Alternate fast two-tone	800-1000	0.25	Increased urgency - Level crossing
Tone 04	Alternate fast two-tone	2500-3100	0.25	Security deterrent
Tone 05	Alternate two-tone	440-554	0.4/0.1	AFNOR, France
Tone 06	Alternate two-tone	430-470	1.0	
Tone 07	Alternate very fast two-tone	800-1000	0.13	
Tone 08	Alternate very fast two-tone	2500-3200	0.07	
Tone 09	Alternate two-tone	440-554	2.0	Turn out, Sweden
Tone 10	Continuous note	700		All-clear, Sweden
Tone 11	Continuous note	1000		
Tone 12	Continuous note	1000		
Tone 13	Continuous note	2300		
Tone 14	Continuous note	440		
Tone 15	Interrupted tone	1000	2.0	
Tone 16	Interrupted tone	420	1.25	AS2220, Australia
Tone 17	Interrupted tone	1000	0.5	
Tone 18	Interrupted tone	2500	0.25	
Tone 19	Interrupted tone	2500	0.5	
Tone 20	Interrupted tone	700	6/12	Pre-vital message, Sweden
Tone 21	Interrupted tone	1000	1.0	
Tone 22	Interrupted tone	700	4.0	Air-raid alarm, Sweden
Tone 23	Interrupted tone	700	0.25	Local warning, Sweden
Tone 24	Interrupted tone	720	0.7/0.3	Industrial alarm, Germany
Tone 25	Interrupted, fast, rising volume	1400	0.25	
Tone 27	Rising constant, fall	1000	10/40/10	Industrial alarm, Germany
Tone 28	ISO 8201 Evacuation	800-1000	As Standard	International evacuation alarm
Tone 29	Fast whoop	500-1000	0.15	
Tone 30	Slow whoop	500-1200	4.5	Evacuation, The Netherlands
Tone 31	Reverse sweep	1200-500	1.0	Evacuation, Germany
Tone 32	Siren	500-1200	3.0	



LOOK FOR OUR OTHER SOLUTIONS



**FOR MORE INFORMATION CONTACT YOUR
R.STAHL REPRESENTATIVE**



R. STAHL, Inc.
13259 N. Promenade Blvd
Stafford, TX 77477
USA
+1 800 782 4357
rstahl.com

R. STAHL, Ltd.
8925-51 Avenue NW
Unit 303
Edmonton, AB T6E5J3
Canada
+1 877 416 4302